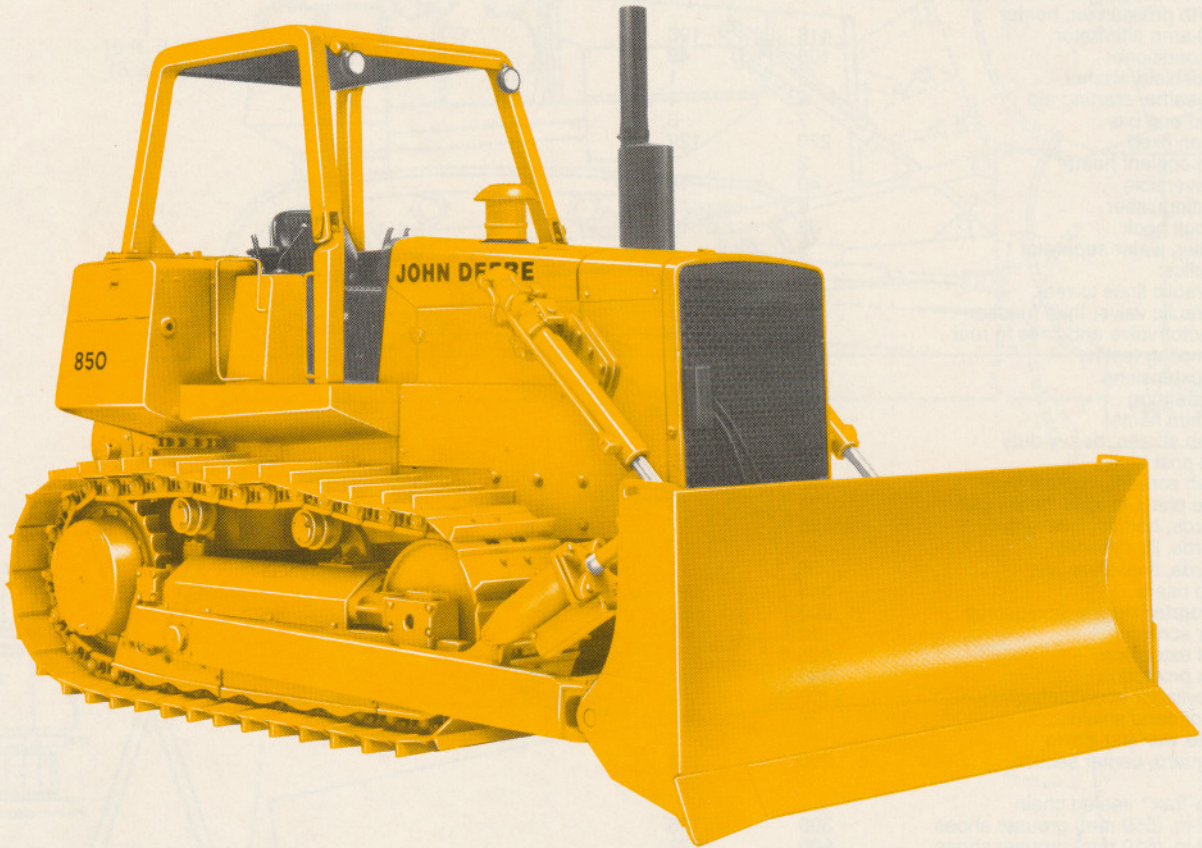


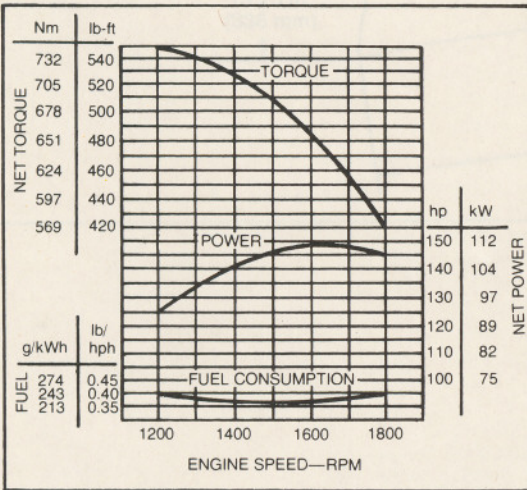


850/6545 BULLDOZER



Model shown may include options

ENGINE PERFORMANCE



FEATURES

- 145 SAE net hp (108 kW)
- Dual-Path automatic hydrostatic drive with infinite speeds up to 6.5 mph (10.5 km/h)
- Single lever for speed and direction control
- Levers or pedals for independent track control steering
- Counterrotating tracks
- No steering clutches or steering brakes
- Automatically engaged parking brake
- DURA-TRAX™ deep-heat-treated sealed track links and through-hardened sealed rollers
- Single-lever dozer control w/hydraulic tilt and blade float position
- Dual-stage aspirated dry-type air cleaner
- Designed for quietness
- Roll-over protective structure (ROPS)

ADD VERSATILITY WITH:

- Winch
 - Regular or slow speed gearing
 - Free-spool option
 - 3-or 4-roller fairlead
- Drawbar
 - Rigid
 - Swinging
- Ripper
 - 1 to 5 shank parallelogram type
- Cable plow
 - Static
 - Powered shank

850/6545 BULLDOZER SPECIFICATIONS

(Specifications and design subject to change without notice. Wherever applicable, specifications are in accordance with SAE Standards. Except where otherwise noted, these specifications are based on a unit with roll-over protective canopy, 20 in. (508 mm) grousers, full fuel tank, 175 lb. (79 kg) operator, and standard equipment.)

Rated Power @1800 rpm:	SAE	DIN 6270
Net	145 hp (108 kW)	108 kW
Gross	165 hp (123 kW)	

Net engine power is with standard equipment including air cleaner, exhaust system, alternator, and cooling fan, at standard conditions per SAE J1349 and DIN 6270, using No. 2-D fuel @35 API gravity. No derating is required up to 10,000 feet (3050 m) altitude. Gross power is without cooling fan.

Engine: John Deere 6-619T

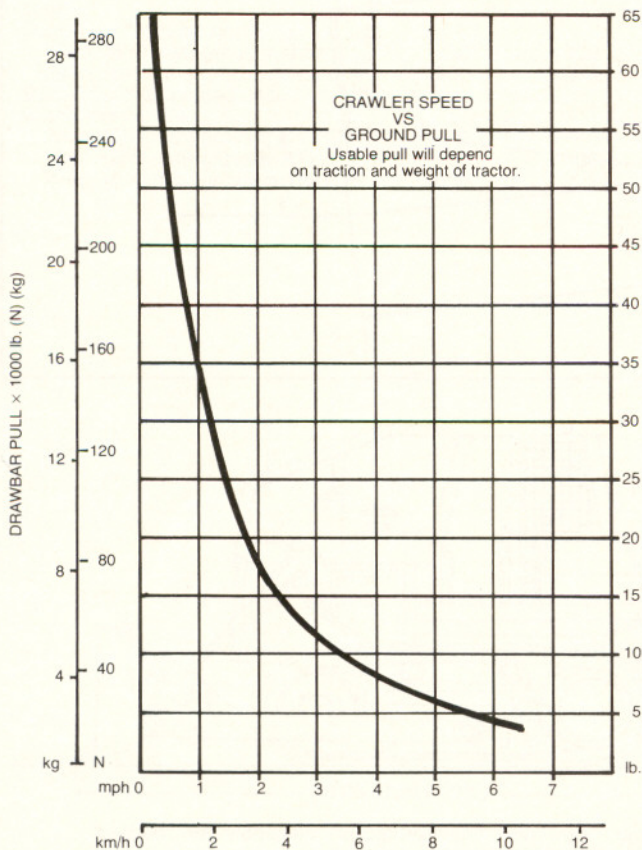
Type	4-stroke cycle, turbocharged diesel
Bore and stroke	5.12 x 5.00 in. (130 x 127 mm)
No. of cylinders	6
Displacement	619 cu. in. (10.145 L)
Maximum net torque @1200 rpm	550 lb-ft (746 Nm) (76.1 kg-m)
Cooling fan	Blower
Compression ratio	15.2 to 1
Main bearings	7
Lubrication	Pressure system w/full-flow filters
Dual-stage aspirated air cleaner	Dry
Electrical system	24 volt w/alternator
Batteries (two 12-volt) cold cranking capacity at 0°F (-18°C)	570 amps
Reserve capacity:	180 minutes each

Transmission:

Cold weather starting	Disconnect clutch completely disengages splitter drive, hydrostatic drive and all hydraulics.
Splitter drive	Pressure-lubricated helical gears drive both hydrostatic transmissions, main hydraulic pump, winch drive shaft and auxiliary pump drive.
Drive	Dual-path, fully automatic, infinitely variable hydrostatic transmissions.
Speeds	Infinite from 0 to 6.5 mph (0 to 10.5 km/h) forward or reverse.
Control	Single-lever, variable speed, forward and reverse.

Drawbar pull:

Maximum drawbar pull	65,000 lb. (289 kN) (29 484 kg) at 0.20 mph (0.33 km/h)
----------------------	---------------------------------------------------------



Steering:

Fully modulated, infinitely variable lever steering for live power turns and counterrotation. Pedal steering optional. No need for steering clutches or steering brakes.

Brakes:

Service Hydrostatic
 Parking Wet-disk brakes are automatically applied when engine is stopped, or manually applied with center foot pedal during normal operation.

Hydraulic System: Open-center

Control	Single-lever, two-function control
Pump	Vane, 38 gpm (2.40 L/s) @ rated engine speed
Pressure	2250 psi (15 514 kPa) (158.2 kg/cm ²)

Hydraulic Cylinders:

	Bore	Stroke
Lift, two	4.25 in. (108 mm)	33.82 in (859 mm)
Tilt, one	6.25 in. (159 mm)	4.33 in. (110 mm)
Cylinder rods	Ground, heat-treated, chrome-plated, polished	

Tracks: 6-roller track frame w/front and rear track guides and sprocket guard. DURA-TRAX™ deep-heat-treated sealed track links and through-hardened sealed rollers provide maximum wear resistance.

Grouser	20 in. (508 mm)
Track shoes, each side	37
Ground contact area	3800 sq. in. (24 516 cm ²)
Ground pressure	9.68 psi (66.7 kPa) (0.68 kg/cm ²)
Length of track on ground	95 in. (2.41 m)
Track gauge	74 in. (1.88 m)
Oscillation	10 in. (254 mm)
Carrier rollers	2 each side
Adjustment	Hydraulic
Minimum ground clearance	16.4 in. (417 mm)

Blade:

Cutting edge	3-piece
Center section	0.75 in. (19 mm)
End bits, boron steel	0.75 in. (19 mm)

Capacities:

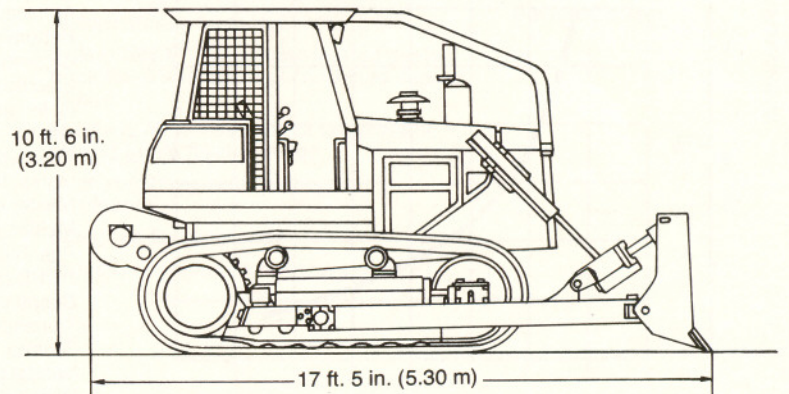
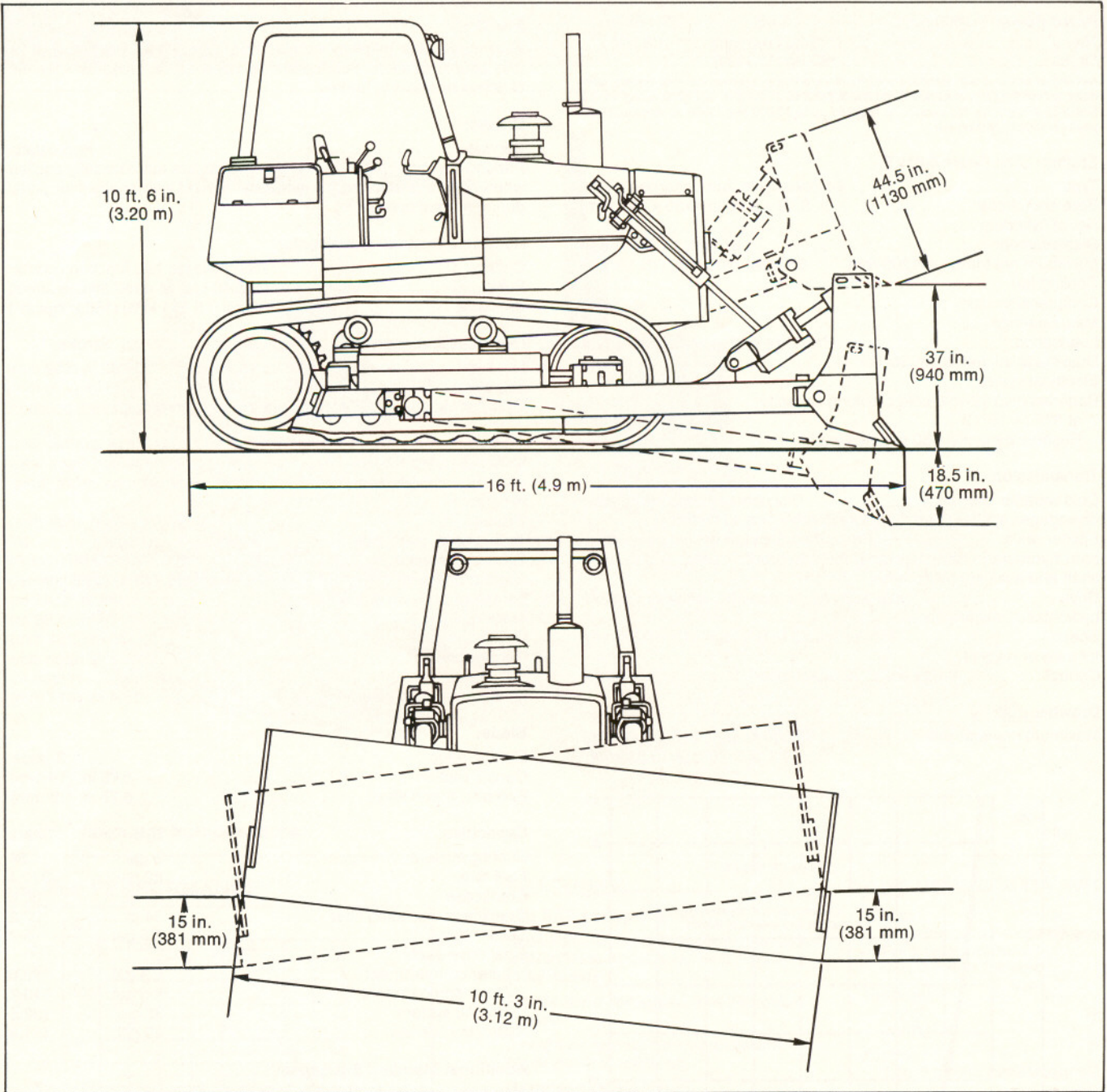
	U.S.	Liters
Cooling system	9 gal.	34
Fuel tank	82 gal.	310.4
Crankcase	32 qt.	30.3
Crankcase, including filter	34 qt.	32.2
Splitter drive	1.5 gal.	5.7
Final drive each:		
Inner compartment	5.5 gal.	20.8
Outer compartment	3.5 gal.	13.2
Hydraulic system	35 gal.	132.5
Hydrostatic drives	40 gal.	151.4

Additional Standard Equipment:

- Alternator, enclosed w/16-amp solid-state regulator
- Air cleaner, dual-stage aspirated dry-type
- Air cleaner restriction indicator
- Bottom guards
- Cigarette lighter
- Electric hourmeter
- Grille guard, hinged
- Horn
- Key switch
- Lights, two front, one rear
- Master electrical disconnect switch
- Muffler, self-draining, eliminating external rain cap
- Pushbutton starting
- ROPS canopy w/3-in. (76 mm) seat belt
- Suspension seat w/armrests
- Transmission neutral lock w/starter safety switch
- Toolbox
- Vandal protection
- Winch drive

SAE Operating Weight w/ROPS 36,785 lb. (16 690 kg)

850/6545 BULLDOZER DIMENSIONS



Limb risers and brush-protection assembly for roll-over protective structure

850/6545 BULLDOZER

Optional or Special Equipment with Weights:

(Add these weights to SAE Standard Equipment operating weights to obtain total operating weights.)

	lb.	kg
Batteries (two 12-volt) cold cranking capacity @ 0°F (-18°C) 800 amps; reserve capacity 310 min. each	105	48
Cab with pressurizer, heater and 50-amp alternator	418	190
Air conditioner	108	49
Lexan windows	-83	-38
Windshield washer	3	1
Cold weather starting aid	2	1
Cupped end bits	7	3
Drawbar, fixed	270	122
Engine coolant heater	2	1
Fan, reversible	40	18
Fire extinguisher	6	3
Front pull hook	33	15
Fuel filter, water separator	6	3
Hydraulics:		
Hydraulic lines to rear	4	2
Hydraulic valve, third function	10	5
Selector valve and lines to rear	14	6
Oil sampling test kit	2	1
Pedal extensions	7	3
Pedal steering	-12	-5
Protection items:		
Brush screen, heavy-duty third-post type	275	125
Brush screens, regular-duty	72	33
Grille plate, heavy-duty, hinged	124	56
Guards, bottom, heavy-duty	281	127
Guards, lift cylinder	44	20
Guards, final-drive seal	38	17
Limb risers	353	160
Perforated engine enclosures	203	92
Rear screen	50	23
Roof extension	475	215
Tank protection	543	246
Tilt cylinder hose protection	5	2
Radiator sand shield	25	11
Reverse warning alarm	10	5
Rock guard, center section	250	113
Tracks:		
Dura-Trax™ sealed chain		
22-in. (559 mm) grouser shoes	300	136
24-in. (610 mm) grouser shoes	600	272
Dura-Trax™ lubricated chain		
w/split master link		
20-in. (508 mm) grouser shoes	0	0
22-in. (559 mm) grouser shoes	300	136
24-in. (610 mm) grouser shoes	600	272