

Funk™

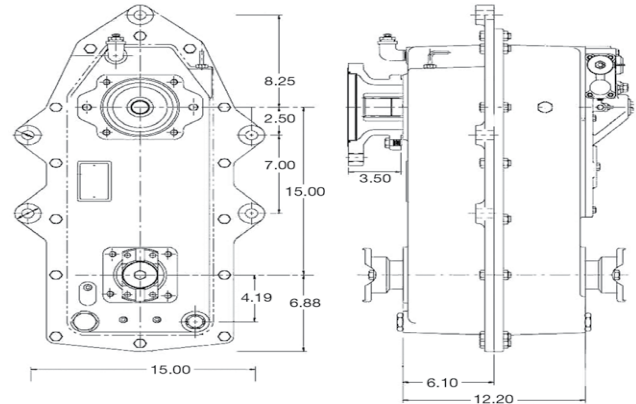
HS17000 HMD Transmission

Industrial Drivetrain Specification



JOHN DEERE

Dimensions



Ratings

Input power (max)	93 kW (125 hp)
Input torque (max)	1017 Nm (750 lb-ft)
Input no load speed (max)	4300 rpm

General data

Motor adapters	SAE D
Approximate dry weight	192 kg (424 lb)
Oil	
Capacity	7.6 L (8 qt)
Type	Hy-Gard™ or J20C
Speeds	2
Configuration	Drop
	381 mm (15 in)
Shift options:	Powershift, Mechanical

Gear ratio (spur-type gears)

Low	High
5.72:1	1.42:1
4.73:1	1.53:1
3.48:1	1.51:1

Splines

Input	SAE 13-tooth 8/16 DP
Parking brake	N/A
Output fittings	6C yoke or companion flange
Applications	Dozing machines, motor graders, railway vehicles, sweepers, pavers, and virtually any equipment requiring controlled travel speed.

Features and benefits

Controlled ground speed at full engine power

- Available to use with applications up to 93 kW (125 hp)
- 4300 rpm max input, no load speed

Two Speed Gear Ratio with PowerShift

- Two-speed PowerShift transmission capable of shifting gear ranges while in motion

John Deere Power Systems
3801 W. Ridgeway Ave.
PO Box 5100
Waterloo, IA 50704-5100
Phone: 800.553.6446
Fax: 319.292.5075

All values at rated speed and power with standard options unless otherwise noted.
Specifications and design subject to change without notice.