

TRACKED FELLER BUNCHERS/HARVESTERS/ SHOVEL LOGGERS



JOHN DEERE

903M / 953M/MH/ML / 959M/MH/ML



**PRODUCTIVITY
REIMAGINED**

***OUTRUN
CHALLENGES.***





Work can be tough in the real world. That's why we go to you — our toughest customers — to find out what works best in the real woods.

Our latest 900M- and 900MH-Series machines, plus the new 953ML and 959ML Shovel Loggers, are the result of what you told us your operation can't do without, such as long and wide undercarriages for greater stability. Standard and long-reach boom options with choice of multiple attachments to match your unique applications. New shovel logger and directional feller configurations. Dual-swing drives, for more productivity-boosting power. Expansive visibility. Large fuel tanks to keep running — and producing — longer. And more powerful John Deere PowerTech™ Plus 9.0L diesel engines that deliver low total fluid consumption and high reliability.

Built on over 180 years of groundbreaking innovation, backed by more than a half-century of experience in the woods, and designed with proven components to withstand rugged environments. Our tracked feller bunchers, tracked harvesters, and shovel loggers were made to tackle the most demanding tasks — yours.

BEYOND THE BASICS

Because nothing's ordinary out here.

Customer Advocate Groups (CAGs) provided us with real-world insight, inspiring a host of innovations that make our 900M-Series Tracked Feller Buncher, 900MH-Series Tracked Harvester, and 953ML and 959ML Shovel Loggers even more productive and reliable.

Dual-swing drives

All 900-Series machines feature more powerful dual-swing drives to help increase productivity.

Multiple boom-set/ attachment combinations

A variety of boom sets and felling heads — including the new high-capacity FL100 for the 959ML Directional Feller — can be combined to suit a wide range of applications.

Rapid Cycle System (RCS)

Optional RCS (not available on ML machines) uses a single, easy-to-operate joystick to quickly and simply control all boom functions.

Shovel ready for unique applications

The new 959ML can be factory configured with a directional felling boom and head or a live-heel boom for steep-slope shovel-logging applications. New 953ML Shovel Logger can be factory configured with a live-heel swamp-logger boom (available only in the United States) to tear into tough, swampy conditions. Together, these machines offer multiple configurations to handle steep slopes and other challenging conditions.

Move less, cut more

Wide boom swaths on both tracked feller bunchers and tracked harvesters help deliver more cuts with less machine movement.

Sure-footed stability

Reliable tractive effort enables maneuverable negotiation of difficult or steep terrain, deep snow, and swamps. Longer, wider undercarriage maximizes stability in all terrain conditions.





COVER MORE GROUND

Rapid Cycle System (RCS)

The Rapid Cycle System (available only on tracked feller bunchers and tracked harvesters) combines simplified boom control with faster cut cycles. Integrated with automated disc-saw felling-head arm cycling, RCS can increase overall efficiency and dramatically reduce operator fatigue.



CUT TIME



**MAXIMIZE
PRODUCTIVITY**

ALL IN ONE

MULTIPLE
OPERATOR SETTINGS



ONE-BUTTON
ACTIVATION



Adaptable to preferences and environments

RCS can be tailored to individual skill levels and specific harvesting conditions, from large single-tree harvesting to high-speed, multi-stem cutting.

Single-touch operation

Press a single button to engage RCS mode. Conditions don't suit the fast, parallel motion of the boom? Turn RCS off with another touch of a button.

Operator-specific settings

Multiple RCS settings can be saved according to individual operator preferences. Novices may prefer a slower, more methodical pace, while highly skilled pros may want faster response.

FT4 IN THE FOREST

Cutting-edge solutions.

You asked for the latest technology to meet EPA Final Tier 4 (FT4)/EU Stage V emission regulations, and we listened and delivered. In fact, we're always focused on implementing the right engine solutions at the right time — without compromise of power, reliability, or ease of operation.

Up to **4X LOWER**

**DEF-CONSUMPTION
RATE THAN SOME
FT4 SYSTEMS**

Minimal impact on operation

Under normal operating conditions, the engine's natural heat breaks down trapped particulate matter and cleans the exhaust filter without impacting machine operation. Ash-service intervals for the diesel particulate filter (DPF) are condition based, meaning machine alerts will notify the operator before service is required. Typically, ash service is not necessary until the first engine overhaul depending on machine application, regular maintenance practices, and type of lubricating oil.

Fluid-efficient FT4 engines

Our FT4/Stage V PowerTech Plus PSS diesels meet emission regulations without sacrificing power or torque. Built on our EPA Interim Tier 4 (IT4)/EU Stage IIIB solution, this simple technology delivers a winning combination of performance, fluid efficiency, and reliability.

Low total fluid consumption

John Deere FT4 engines maintain peak engine performance while minimizing total fluid consumption — diesel fuel plus diesel exhaust fluid (DEF). This exceptionally conservative DEF-use rate is up to four times lower than that of some other FT4 systems.



High-capacity versatility

Designed for large-diameter timber felling and shoveling on challenging terrain, the new FL100 Directional Felling Head for the 959ML delivers outstanding grapple strength, arm durability, and rotate/tilt power, plus ease of daily and routine service. Unique long-arm geometry and large-capacity bar saw allow the FL100 to cut and handle trees from 110 mm (4.3 in.) to 1 m (39.3 in.).



STABILITY PLUS CAPABILITY

Winning an uphill battle.

With factory-installed shovel logger and directional feller configurations, the new 959ML is designed to handle steep-slope applications. Industry-leading leveling technology delivers exceptional stability. Factory-available slope-monitoring system and four-point seat harness plus a “tether-ready” field kit make it easier to harvest logs in areas once thought to be impassable.

READY TO ROLL

From the get-go.

When swampy conditions make it hard for wheeled equipment to gain access, the new 953ML Shovel Logger with live-heel swamp-logger boom can help tackle the terrain. Powerful valve-in-carrier hydraulics, smooth multifunctioning, and expansive reach are just some of the features that enable rewarding wetlands work, especially in the swamplands of the southeastern United States.

Take a seat

Spacious climate-controlled cab features expansive jobsite visibility, ergonomic controls, and standard fully adjustable air-ride seat.

Get on track

Long and wide undercarriage combined with proven tractive effort and excellent ground clearance maximizes overall stability and maneuverability in a wide range of soft, spongy, and swampy conditions.

Get a handle on it

Factory equipped with a live-heel swamp-logger boom with up to 60-inch grapple capacity, the 953ML is purpose-built for the shovel-logging work you do.

Easy to see

Enhanced lighting package, including boom-mounted lights, enables you to work when you want, for as long as you want, no matter the jobsite environment.

Common sense

The 953ML shares outstanding machine features and ease of service in common with the other models in the Deere 900M lineup, including 903M and 953M Tracked Feller Bunchers.





4x WARNING

KEEP BACK 300FT/90M



UP
TO

60"

GRAPPLE CAPACITY





COMFORT KING

It hardly seems like work.

Operators will find their comfort zones and be more productive in the roomier operator station. Controls are ergonomically designed. And the view has to be seen to be believed, with significantly improved visibility.

Effortless control

Fully adjustable armrests, including mounted keypads (available only on tracked harvesters), provide fingertip control of all machine functions. Standard air-ride suspension seat helps provide exceptional daylong comfort in the climate-controlled cab.

Sealed-switch module (SSM)

Sealed touch pad keeps out dust, moisture, and debris, for longer SSM life. Proven marine-grade control center eliminates rocker switches, numerous wires, and unsealed connections, and lasts up to 10 times longer than standard switches.

Expansive visibility

Floor-to-ceiling front and large side windows plus an overhead skylight significantly expand the view of the cutting area and the work at hand.

10X LONGER- LASTING

MARINE-GRADE CONTROL CENTER

INCREASE UPTIME

There's no stopping you.

When you have timber to cut and trucks to load, you need dependable workers like the 900M-Series Tracked Feller Bunchers and 900MH-Series Tracked Harvesters. So you can run hard and long without interruption.

Through-nose plumbing option

Available on tracked harvesters only, optional through-nose plumbing routes hoses up and out of harm's way to extend their wear life, increasing uptime and reducing operating costs.

More boom

Robust field-proven booms with thick plates and strong joints help extend durability and wear life. Because not all applications are the same, extended-boom options are available for both feller bunchers and harvesters.

Get a handle on it

Undercarriage-mounted toolbox option provides convenient storage for tools, saw teeth, extra saw bars, and other spare parts, minimizing trips to the service truck.

Accumulated benefits

Designed for cutting, accumulating, and bunching in plantation-style applications, the new twin-post FR50 and FS50 High-Accumulation Disc-Saw Felling Heads feature a large cut volume, a big accumulating pocket, and excellent holding capacity, to maximize overall production efficiency.





Level the playing field

Combine the power of reliable John Deere engines with our cutting-edge, patented leveling system that expands overall working capability, and you have machines that are ready to tackle a wide range of jobsite challenges. An available option on 959M, 959MH, and 959ML models, the industry-leading slope-monitoring system measures the actual ground-slope angle the machine is working on and displays it on the in-cab monitor. This allows for more confident operation in tough steep-slope conditions, with the potential for greater overall efficiency.



**JOHN DEERE CONNECTED SUPPORT™ /
JOHN DEERE FORESTSIGHT/
TIMBERMATIC™ MAPS AND TIMBERMANAGER™**

Save time and money.

As a logger, one of your most valuable commodities is uptime. You need fast, accurate diagnosis of machine issues, rapid service response, and tracking of equipment and operators to maximize efficiency and productivity. We have John Deere forestry solutions to help you do that, and more.



Get valuable insight with

JOHN DEERE FORESTSIGHT

The in-base JDLink™ telematics subscription is the foundation of our John Deere ForestSight forestry technology solutions. To optimize productivity and efficiency, TimberMatic Maps helps eliminate guesswork for your operators related to routes and the location of timber. And TimberManager provides complete visibility to your operation — from land harvested to the machines at work — so you can streamline communication and increase efficiency.

With John Deere Connected Support, dealer machine monitoring and remote diagnostics and programming capability can quickly identify and diagnose problems that may occur, while machine health alerts developed through analyzing data from the entire population of John Deere machines can help prevent problems altogether.

Visualize more productivity with

TIMBERMATIC MAPS AND TIMBERMANAGER

TimberMatic Maps and TimberManager are proven jobsite-mapping tools designed for full-tree logging operations. TimberMatic Maps enables enhanced visibility, allowing operators to review production values as well as see and create points of interest that can be shared in real time with other onsite team members. Staff not on the jobsite can also access any of this data through TimberManager, to optimize tasks and increase efficiency.

SIMPLE. AND SMART.

Serviceability within easy reach

Convenient access to service components helps simplify daily checks and preventative-maintenance tasks, so they get done on schedule, minimizing costly repairs down the road.

Hydraulic reversing fan

Reversing fan automatically reverses airflow to clean debris from the cooler cores. Fan runs at preset intervals, or if conditions demand more frequent cleaning, simply press a button to actuate the reversing cycle.

Remote diagnostics

With a JDLink™ subscription, fast, accurate remote diagnostics, rapid service response with the right part the first time, and dealer service are always within easy reach.





903M / 953M / 959M FELLER BUNCHERS

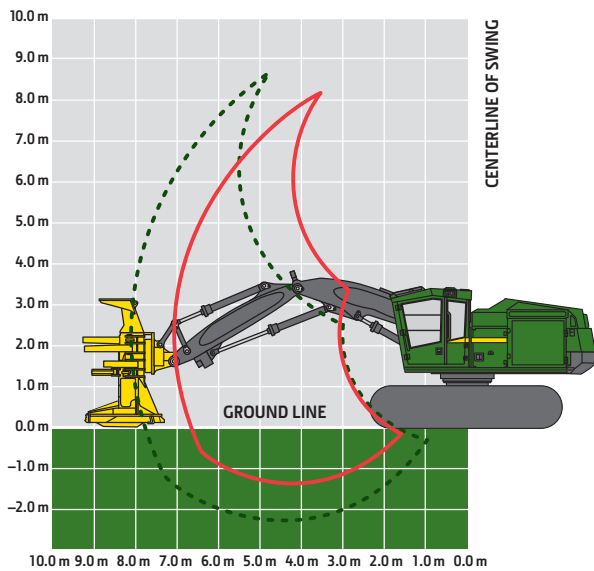
Engine	903M / 953M / 959M		
Manufacturer and Model	John Deere PowerTech™ Plus 6090PSS		
Non-Road Emission Standard	EPA Final Tier 4 / EU Stage V		
Displacement	9.0 L (549 cu. in.)		
Peak Power at 1,900 rpm	246 kW (330 hp)		
Net Peak Torque at 1,500 rpm	1392 Nm (1,027 lb.-ft.)		
Cooling			
Fan Type	Suction type, hydraulically driven, variable speed, reversing		
Hydraulics			
Closed center, pressure compensated, load sense			
Main Pump	Variable-displacement axial piston		
Maximum Rated Flow	532 L/min. (141 gpm)		
Continuous Saw Pump	Dedicated variable-displacement axial piston		
Maximum Rated Flow	114 L/min. (30 gpm)		
Attachment Pump	Dedicated variable-displacement axial piston		
Maximum Rated Flow	135 L/min. (36 gpm)		
Oil Filtration	2 main return filters, 10-micron return with bypass, one case-drain strainer, 25 micron		
Electrical			
Voltage	24 volt		
Number of Batteries	2 x 12 volt		
Alternator Rating	200 amp		
Work Lights			
Standard	Halogen (8 flood, 5 spot)		
Optional	LED (11 flood, 3 spot)		
Service Lights			
Standard	Halogen (3)		
Optional	LED (3)		
Undercarriage	903M	953M	959M
Integral track guides, thick high-abrasion-resistant material, ramp angles, hydraulic track adjustment			
Track Size	U7 Extreme Duty (EXD)	U7 EXD	U7L EXD
Track Chain	215.9 mm (8.5 in.)	215.9 mm (8.5 in.)	215.9 mm (8.5 in.)
Number of Track Links (per side)	47	47	47
Lower Rollers (per side)	9	9	10
Carrier Slides / Rollers (per side)	2	2	2
Travel Performance			
Travel Speed, Forward and Reverse			
High	4.2 km/h (2.6 mph)	4.2 km/h (2.6 mph)	3.6 km/h (2.2 mph)
Low	2.1 km/h (1.3 mph)	2.1 km/h (1.3 mph)	1.7 km/h (1.0 mph)
Tractive Effort	322 kN (72,300 lbf)	322 kN (72,300 lbf)	373 kN (83,880 lbf)
Rotating Upper			
Swing System, Standard			
Swing Speed (maximum)	6.7 rpm	4.8 rpm	4.8 rpm
Swing Torque	80 170 Nm (59,130 lb.-ft.)	110 170 Nm (81,257 lb.-ft.)	110 170 Nm (81,257 lb.-ft.)
Swing Brake	Sealed wet multi-disc, manually applied/released		
Serviceability	903M / 953M / 959M		
Fuel Tank	1080 L (285 gal.)		
Diesel Exhaust Fluid (DEF) Tank	42 L (11 gal.)		
Ground Pressure (SAE J1309)	903M	953M	959M
Includes standard equipment, 7.01-m boom, half-full fuel tank, and all fluids, less attachment			
Undercarriage	U7 EXD	U7 EXD	U7L EXD
Counterweight	Small	Large	Medium
Boom	Standard	Power	Power
Double Grouser			
610 mm (24 in.)	59.9 kPa (8.7 psi)	63.8 kPa (9.3 psi)	72.6 kPa (10.5 psi)
762 mm (30 in.)	50.3 kPa (7.3 psi)	53.4 kPa (7.8 psi)	N/A
Single Grouser			
610 mm (24 in.)	59.8 kPa (8.7 psi)	63.6 kPa (9.2 psi)	72.4 kPa (10.5 psi)
711 mm (28 in.)	52.0 kPa (7.5 psi)	55.3 kPa (8.0 psi)	62.8 kPa (9.1 psi)
Triple Grouser (soft terrain only)			
914 mm (36 in.)	42.8 kPa (6.2 psi)	45.3 kPa (6.6 psi)	N/A

While general information, pictures, and descriptions are provided, some illustrations and text may include product options and accessories NOT AVAILABLE in all regions, and in some countries products and accessories may require modifications or additions to ensure compliance with the local regulations of those countries.

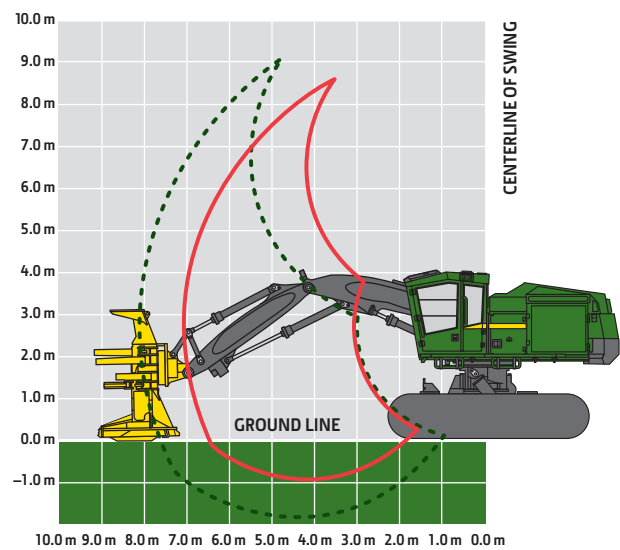


Operating Weight	903M	953M	959M
Includes standard equipment, 7.01-m boom, 610-mm (24 in.) double-grouser tracks, half-full fuel tank, and all fluids, less attachment			
Undercarriage	U7 EXD	U7 EXD	U7L EXD
Counterweight	Small	Large	Medium
Boom	Standard	Power	Power
Approximate Weight — Base Machine	31 330 kg (69,080 lb.)	33 330 kg (73,490 lb.)	37 760 kg (83,260 lb.)
Boom Performance			
7.01-m Boom	With FR22B	With FR24B	With FR24B
Maximum Reach (to tip of saw blade)	8.88 m (29 ft. 1 in.)	8.88 m (29 ft. 1 in.)	8.88 m (29 ft. 1 in.)
Minimum Reach (to tip of saw blade)	4.87 m (15 ft. 11 in.)	4.87 m (15 ft. 11 in.)	4.87 m (15 ft. 11 in.)
Cutting Swath	4.01 m (13 ft. 2 in.)	4.01 m (13 ft. 2 in.)	4.01 m (13 ft. 2 in.)
Lift Option	<i>Standard without Rapid Cycle System (RCS)</i>	<i>High-Lift Option with RCS</i>	<i>Power-Lift Option with and without RCS</i>
Lift Capacity, Bare Pin at Full Reach	5890 kg (12,990 lb.)	7260 kg (16,010 lb.)	7970 kg (17,570 lb.)
Lift Capacity, Bare Pin at 6.1 m (20 ft.)	7680 kg (16,930 lb.)	9370 kg (20,660 lb.)	10 260 kg (22,620 lb.)
8.08-m Boom	With FR21B	N/A	N/A
Maximum Reach (to tip of saw blade)	9.82 m (32 ft. 3 in.)	N/A	N/A
Minimum Reach (to tip of saw blade)	4.64 m (15 ft. 3 in.)	N/A	N/A
Cutting Swath	5.18 m (17 ft. 0 in.)	N/A	N/A
Lift Option	<i>Standard with and without RCS</i>		
Lift Capacity, Bare Pin at Full Reach	4890 kg (10,780 lb.)	N/A	N/A
Lift Capacity, Bare Pin at 6.1 m (20 ft.)	7470 kg (16,470 lb.)	N/A	N/A

903M and 953M Tracked Feller Bunchers



959M Tracked Feller Buncher



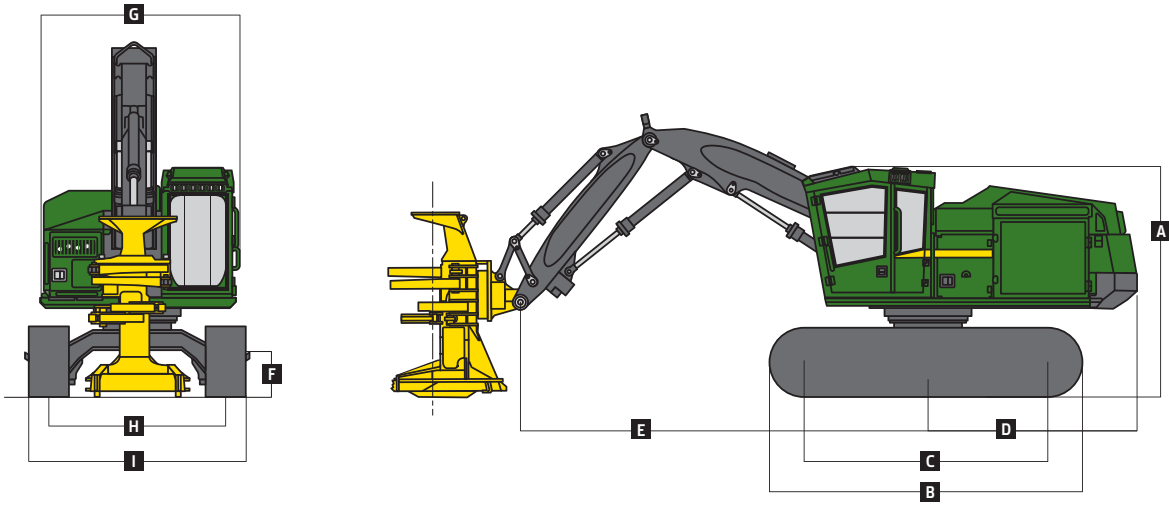
While general information, pictures, and descriptions are provided, some illustrations and text may include product options and accessories NOT AVAILABLE in all regions, and in some countries products and accessories may require modifications or additions to ensure compliance with the local regulations of those countries.

903M / 953M / 959M

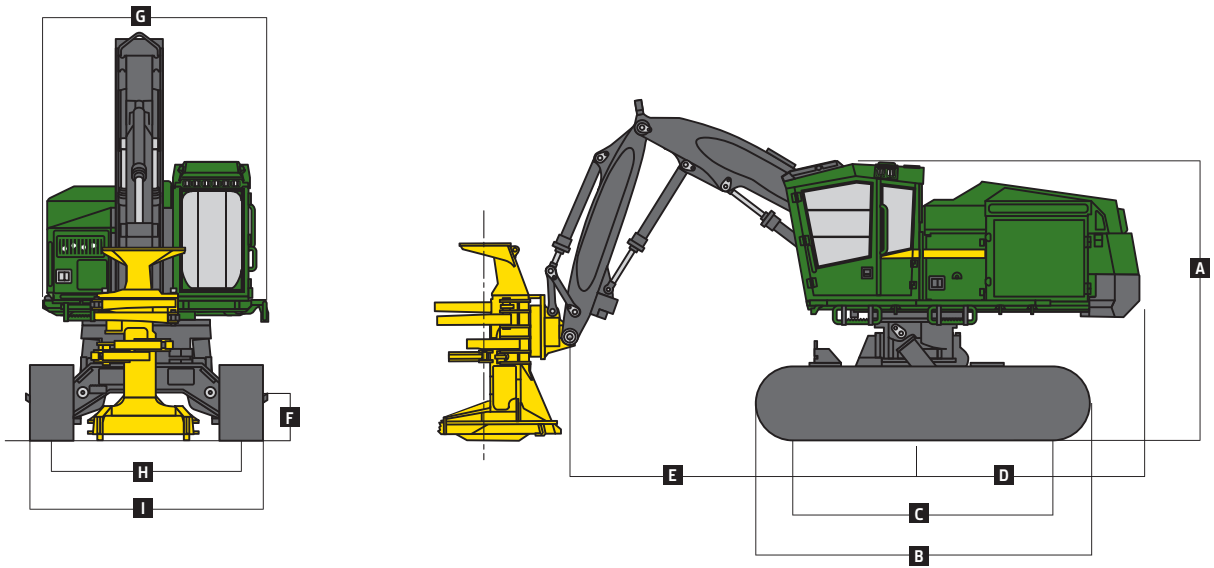
Attachment Information						
	FR21B (8.08-m boom only)	FS22B (7.01-m boom only)	FR22B (7.01-m boom only)	FR24B	FS50 (7.01-m boom only)	FR50 (7.01-m boom only)
Attachment	903M	903M, 953M, 959M	903M, 953M, 959M	953M, 959M	903M, 953M, 959M	903M, 953M, 959M
Models	903M	903M, 953M, 959M	903M, 953M, 959M	953M, 959M	903M, 953M, 959M	903M, 953M, 959M
Maximum Cutting Capacity	545 mm (21.5 in.)	559 mm (22.0 in.)	559 mm (22.0 in.)	622 mm (24.5 in.)	508 mm (20.0 in.)	508 mm (20.0 in.)
Maximum Accumulation Capacity	0.46 m ² (5.0 sq. ft.)	0.48 m ² (5.2 sq. ft.)	0.48 m ² (5.2 sq. ft.)	0.60 m ² (6.4 sq. ft.)	0.64 m ² (6.9 sq. ft.)	0.64 m ² (6.9 sq. ft.)
Opening at Front of Housing	1180 mm (46.5 in.)	1280 mm (50.4 in.)	1280 mm (50.4 in.)	1372 mm (54.0 in.)	870 mm (34.0 in.)	870 mm (34.0 in.)
Blade Diameter	1372 mm (54.0 in.)	1422 mm (56.0 in.)	1422 mm (56.0 in.)	1549 mm (56.0 in.)	1346 mm (53.0 in.)	1346 mm (53.0 in.)
Number of Teeth	18	18	18	20	18	18
Saw rpm	1,150 rpm	1,150 rpm	1,150 rpm	1,150 rpm	1,250 rpm	1,250 rpm
Wrist Rotation	302 deg.	30 deg.	312 deg.	310 deg.	30 deg.	310 deg.
Width at Saw Housing	1550 mm (61.0 in.)	1620 mm (63.8 in.)	1620 mm (63.8 in.)	1737 mm (68.4 in.)	1660 mm (65.0 in.)	1660 mm (65.0 in.)
Height	2820 mm (111.0 in.)	3068 mm (120.8 in.)	3068 mm (120.8 in.)	3068 mm (120.8 in.)	2850 mm (112.0 in.)	2850 mm (112.0 in.)
Weight (including adapter and wrist)	3140 kg (6,920 lb.)	3550 kg (7,830 lb.)	3840 kg (8,470 lb.)	4020 kg (8,860 lb.)	3370 kg (7,430 lb.)	3660 kg (8,070 lb.)
Machine Dimensions		903M	953M	959M		
Standard Undercarriage		U7 EXD	U7 EXD	U7L EXD		
A Overall Height with 7.01-m Boom						
Top of Cab with Flat Skylight		3.55 m (11 ft. 8 in.)	3.55 m (11 ft. 8 in.)	4.03 m (13 ft. 3 in.)		
Top of Cab with Peaked Skylight		3.77 m (12 ft. 4 in.)	3.77 m (12 ft. 4 in.)	4.24 m (13 ft. 11 in.)		
Top of Boom, Extended, Attachment Vertical		3.86 m (12 ft. 8 in.)	3.86 m (12 ft. 8 in.)	4.07 m (13 ft. 4 in.)		
B Overall Track Length		4.90 m (16 ft. 1 in.)	4.90 m (16 ft. 1 in.)	4.90 m (16 ft. 1 in.)		
C Track Length (idler to sprocket center)		3.83 m (12 ft. 7 in.)	3.83 m (12 ft. 7 in.)	3.81 m (12 ft. 6 in.)		
D Tail Swing (from swing center)		3.18 m (10 ft. 5 in.)	3.18 m (10 ft. 5 in.)	3.18 m (10 ft. 5 in.)		
E Boom Reach (to attachment pin)						
Standard 7.01-m Boom						
Maximum		7.01 m (23 ft. 0 in.)	7.01 m (23 ft. 0 in.)	7.01 m (23 ft. 0 in.)		
Minimum		3.00 m (9 ft. 10 in.)	3.00 m (9 ft. 10 in.)	3.00 m (9 ft. 10 in.)		
Cutting Swath		4.01 m (13 ft. 2 in.)	4.01 m (13 ft. 2 in.)	4.01 m (13 ft. 2 in.)		
Optional 8.08-m Boom						
Maximum		8.08 m (26 ft. 6 in.)	N/A	N/A		
Minimum		2.90 m (9 ft. 6 in.)	N/A	N/A		
Cutting Swath		5.18 m (17 ft. 0 in.)	N/A	N/A		
F Ground Clearance						
Single Grouser		779 mm (31 in.)	779 mm (31 in.)	770 mm (30 in.)		
Double Grouser		756 mm (30 in.)	756 mm (30 in.)	747 mm (29 in.)		
Triple Grouser		738 mm (29 in.)	738 mm (29 in.)	N/A		
G Upperstructure Width						
With Standard Walkway		N/A	N/A	3.20 m (10 ft. 6 in.)		
Without Optional Walkway		3.05 m (10 ft. 0 in.)	3.05 m (10 ft. 0 in.)	N/A		
With Optional Walkway		3.20 m (10 ft. 6 in.)	3.20 m (10 ft. 6 in.)	N/A		
H Track Gauge		2.69 m (8 ft. 10 in.)	2.69 m (8 ft. 10 in.)	2.72 m (8 ft. 11 in.)		
I Width Over Tracks						
610-mm (24 in.) Track Shoes		3.30 m (10 ft. 10 in.)	3.30 m (10 ft. 10 in.)	3.33 m (10 ft. 11 in.)		
711-mm (28 in.) Track Shoes		3.40 m (11 ft. 2 in.)	3.40 m (11 ft. 2 in.)	3.43 m (11 ft. 3 in.)		
760-mm (30 in.) Track Shoes		3.45 m (11 ft. 4 in.)	3.45 m (11 ft. 4 in.)	N/A		
914-mm (36 in.) Track Shoes		3.61 m (11 ft. 10 in.)	3.61 m (11 ft. 10 in.)	N/A		

While general information, pictures, and descriptions are provided, some illustrations and text may include product options and accessories NOT AVAILABLE in all regions, and in some countries products and accessories may require modifications or additions to ensure compliance with the local regulations of those countries.

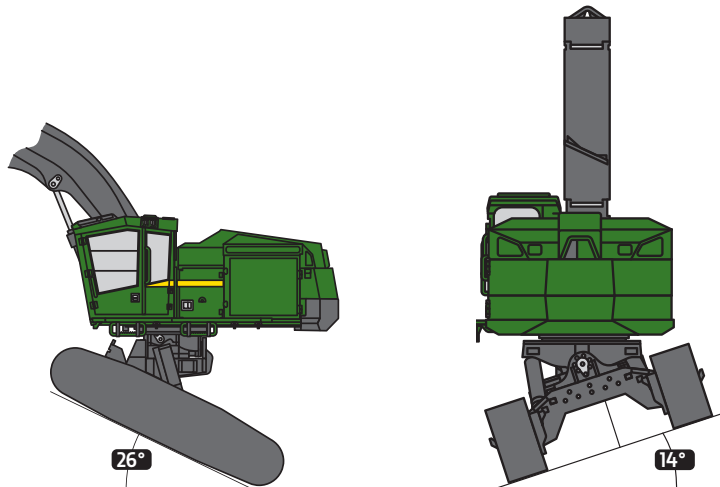
903M / 953M Tracked Feller Bunchers



959M Tracked Feller Buncher



959M Leveling



959M Undercarriage-Leveling Mechanism

Forward	26 deg.
Side to Side	14 deg.
Rearward	7 deg.

While general information, pictures, and descriptions are provided, some illustrations and text may include product options and accessories NOT AVAILABLE in all regions, and in some countries products and accessories may require modifications or additions to ensure compliance with the local regulations of those countries.

953MH / 959MH HARVESTERS

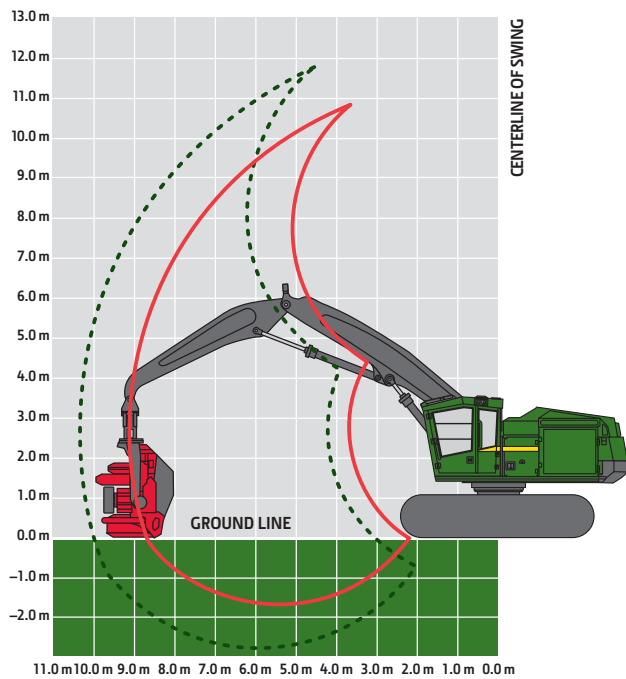
Engine	953MH / 959MH	
Manufacturer and Model	John Deere PowerTech™ Plus 6090PSS	
Non-Road Emission Standard	EPA Final Tier 4 / EU Stage V	
Displacement	9.0 L (549 cu. in.)	
Peak Power at 1,900 rpm	246 kW (330 hp)	
Net Peak Torque at 1,500 rpm	1392 Nm (1,027 lb.-ft.)	
Cooling		
Fan Type	Suction type, hydraulically driven, variable speed, reversing	
Hydraulics		
Closed center, pressure compensated, load sense		
Main Pump	Variable-displacement axial piston	
Maximum Rated Flow	532 L/min. (141 gpm)	
Attachment Pump	Dedicated variable-displacement axial piston	
Maximum Rated Flow	209 L/min. (55 gpm)	
Oil Filtration	2 main return filters, 10-micron return with bypass, one case-drain strainer, 25 micron	
Electrical		
Voltage	24 volt	
Number of Batteries	2 x 12 volt	
Alternator Rating	200 amp	
Work Lights		
Standard	Halogen (8 flood, 5 spot)	
Optional	LED (11 flood, 3 spot)	
Service Lights		
Standard	Halogen (3)	
Optional	LED (3)	
Undercarriage	953MH	959MH
Integral track guides, thick high-abrasion-resistant material, ramp angles, hydraulic track adjustment		
Track Size	U7 Extreme Duty (EXD)	U7L EXD
Track Chain	215.9 mm (8.5 in.)	215.9 mm (8.5 in.)
Number of Track Links (per side)	47	47
Lower Rollers (per side)	9	10
Carrier Slides / Rollers (per side)	2	2
Travel Performance		
Travel Speed, Forward and Reverse		
High	4.2 km/h (2.6 mph)	3.6 km/h (2.2 mph)
Low	2.0 km/h (1.2 mph)	1.7 km/h (1.0 mph)
Tractive Effort	322 kN (72,300 lbf)	373 kN (83,880 lbf)
Rotating Upper		
Swing System, Standard		
Swing Speed (maximum)	4.8 rpm	4.8 rpm
Swing Torque	110 170 Nm (81,257 lb.-ft.)	110 170 Nm (81,257 lb.-ft.)
Swing Brake	Sealed wet multi-disc, manually applied/released	Sealed wet multi-disc, manually applied/released
Serviceability	953MH / 959MH	
Fuel Tank	1080 L (285 gal.)	
Diesel Exhaust Fluid (DEF) Tank	42 L (11 gal.)	
Ground Pressure (SAE J1309)	953MH	959MH
Includes standard equipment, 9.12-m harvesting boom, half-full fuel tank, and all fluids, less attachment		
Undercarriage	U7 EXD	U7L EXD
Counterweight	Large	Medium
Double Grouser		
610 mm (24 in.)	62.3 kPa (9.0 psi)	71.1 kPa (10.3 psi)
Single Grouser		
610 mm (24 in.)	62.2 kPa (9.0 psi)	70.9 kPa (10.3 psi)
711 mm (28 in.)	54.0 kPa (7.8 psi)	61.5 kPa (8.9 psi)
Triple Grouser (soft terrain only)		
914 mm (36 in.)	44.3 kPa (6.4 psi)	N/A

While general information, pictures, and descriptions are provided, some illustrations and text may include product options and accessories NOT AVAILABLE in all regions, and in some countries products and accessories may require modifications or additions to ensure compliance with the local regulations of those countries.

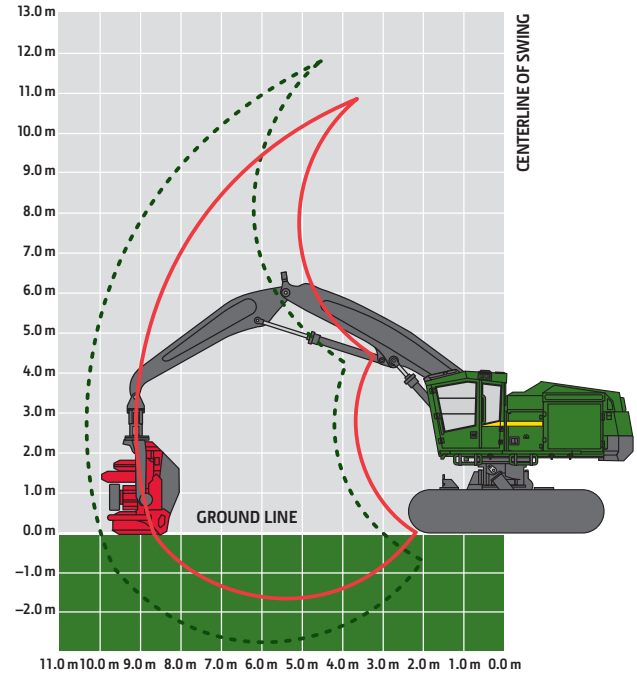


Operating Weight	953MH	959MH
Includes standard equipment, 9.12-m harvesting boom, 610-mm (24 in.) double-grouser tracks, half-full fuel tank, and all fluids, less attachment		
Undercarriage	U7 EXD	U7L EXD
Counterweight	Large	Medium
Approximate Weight – Base Machine	32 600 kg (71,880 lb.)	37 000 kg (81,590 lb.)
Boom Performance	953MH / 959MH	
9.12-m Boom (5.44-m swath) with HTH624C		
Lift Option	<i>Standard with and without Rapid Cycle System (RCS)</i>	
Lift Capacity, Bare Pin at Full Reach	6170 kg (13,600 lb.)	
Lift Capacity, Bare Pin at 7.6 m (25 ft.)	8220 kg (18,130 lb.)	
10.34-m Boom (6.13-m swath) with HTH623C		
Lift Option	<i>Standard with and without RCS</i>	
Lift Capacity, Bare Pin at Full Reach	4860 kg (10,720 lb.)	
Lift Capacity, Bare Pin at 9.1 m (30 ft.)	5800 kg (12,790 lb.)	
Lift Capacity, Bare Pin at 7.6 m (25 ft.)	7300 kg (16,100 lb.)	

953MH Tracked Harvester



959MH Tracked Harvester



While general information, pictures, and descriptions are provided, some illustrations and text may include product options and accessories NOT AVAILABLE in all regions, and in some countries products and accessories may require modifications or additions to ensure compliance with the local regulations of those countries.

953MH / 959MH

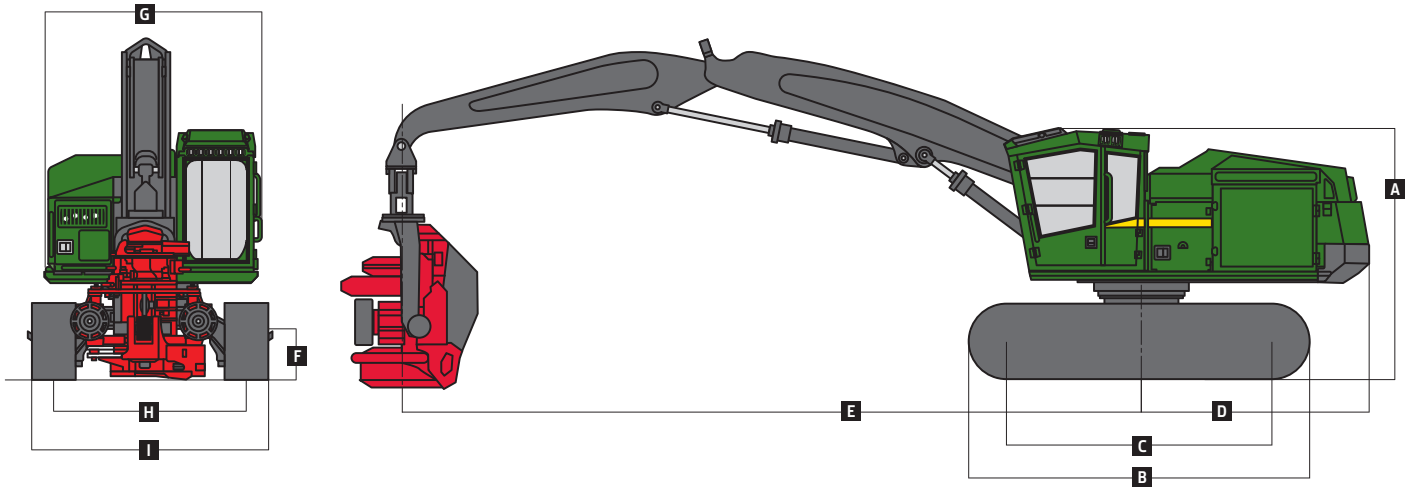
Attachment Information				
Attachment	HTH622B	HTH623C	HTH624C	HTH625C
Models	953MH, 959MH	953MH, 959MH	953MH, 959MH	953MH, 959MH
Maximum Cutting Capacity	750 mm (29.5 in.)	750 mm (29.5 in.)	810 mm (31.9 in.)	900 mm (35.4 in.)
Maximum Delimiting Capacity	640 mm (25.2 in.)	700 mm (27.6 in.)	760 mm (29.9 in.)	810 mm (31.9 in.)
Feeding Mechanism	3 rollers, fully synchronized hydraulic drive		3 rollers, fully synchronized hydraulic drive	
Dimensions				
Maximum Width (arms open)	1700 mm (66.9 in.)	2000 mm (78.7 in.)	2000 mm (78.7 in.)	2000 mm (78.7 in.)
Height (including rotator)	2700 mm (106.3 in.)	3000 mm (118.1 in.)	3000 mm (118.1 in.)	3250 mm (128.0 in.)
Weight (rotator and standard link)	2190 kg (4,830 lb.)	2870 kg (6,330 lb.)	3460 kg (7,630 lb.)	4270 kg (9,420 lb.)

See individual Harvesting Head brochure for more details.

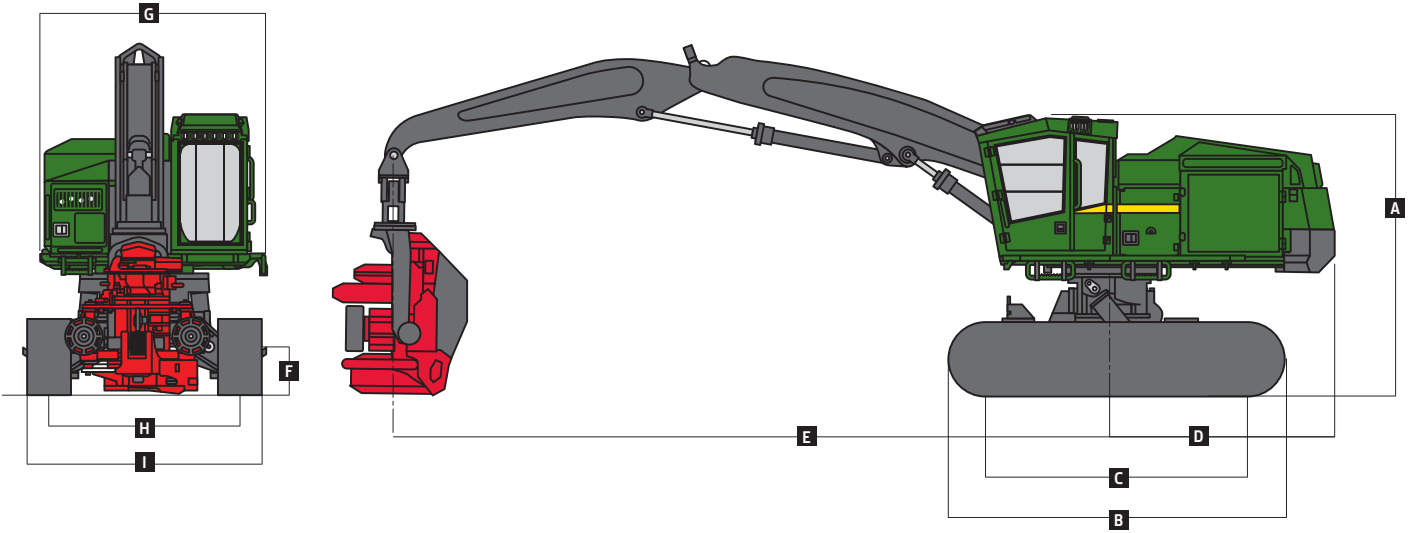
Machine Dimensions		953MH	959MH
Standard Undercarriage		U7 EXD	U7L EXD
A	Overall Height with 9.12-m Boom		
	Top of Cab with Flat Skylight	3.55 m (11 ft. 8 in.)	4.03 m (13 ft. 3 in.)
	Top of Cab with Peaked Skylight	3.77 m (12 ft. 4 in.)	4.24 m (13 ft. 11 in.)
	Top of Boom, Extended, Attachment Vertical	3.86 m (12 ft. 8 in.)	4.07 m (13 ft. 4 in.)
B	Overall Track Length	4.90 m (16 ft. 1 in.)	4.90 m (16 ft. 1 in.)
C	Track Length (idler to sprocket center)	3.83 m (12 ft. 7 in.)	3.81 m (12 ft. 6 in.)
D	Tail Swing (from swing center)	3.18 m (10 ft. 5 in.)	3.18 m (10 ft. 5 in.)
E	Boom Reach (to attachment pin)		
	Standard 9.12-m Boom		
	Maximum	9.12 m (29 ft. 11 in.)	9.12 m (29 ft. 11 in.)
	Minimum	3.68 m (12 ft. 1 in.)	3.68 m (12 ft. 1 in.)
	Cutting Swath	5.44 m (17 ft. 10 in.)	5.44 m (17 ft. 10 in.)
	Optional 10.34-m Boom		
	Maximum	10.34 m (33 ft. 11 in.)	10.34 m (33 ft. 11 in.)
	Minimum	4.21 m (13 ft. 10 in.)	4.21 m (13 ft. 10 in.)
	Cutting Swath	6.13 m (20 ft. 1 in.)	6.13 m (20 ft. 1 in.)
F	Ground Clearance		
	Single Grouser	779 mm (31 in.)	770 mm (30 in.)
	Double Grouser	756 mm (30 in.)	747 mm (29 in.)
	Triple Grouser	738 mm (29 in.)	N/A
G	Upperstructure Width		
	With Standard Walkway	N/A	3.20 m (10 ft. 6 in.)
	Without Optional Walkway	3.05 m (10 ft. 0 in.)	N/A
	With Optional Walkway	3.20 m (10 ft. 6 in.)	N/A
H	Track Gauge	2.69 m (8 ft. 10 in.)	2.72 m (8 ft. 11 in.)
I	Width Over Tracks		
	610-mm (24 in.) Track Shoes	3.30 m (10 ft. 10 in.)	3.33 m (10 ft. 11 in.)
	711-mm (28 in.) Track Shoes	3.40 m (11 ft. 2 in.)	3.43 m (11 ft. 3 in.)
	760-mm (30 in.) Track Shoes	3.45 m (11 ft. 4 in.)	N/A
	914-mm (36 in.) Track Shoes	3.61 m (11 ft. 10 in.)	N/A

While general information, pictures, and descriptions are provided, some illustrations and text may include product options and accessories NOT AVAILABLE in all regions, and in some countries products and accessories may require modifications or additions to ensure compliance with the local regulations of those countries.

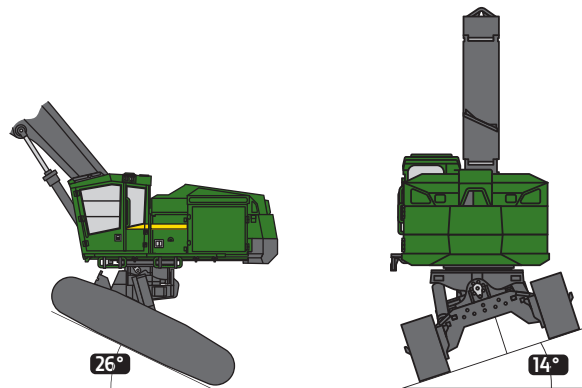
953MH Tracked Harvester



959MH Tracked Harvester



959MH Leveling



959MH Undercarriage-Leveling Mechanism

Forward	26 deg.
Side to Side	14 deg.
Rearward	7 deg.

953ML SHOVEL LOGGER / 959ML DIRECTIONAL FELLER/SHOVEL LOGGER

Engine	953ML Shovel Logger	959ML Directional Feller/Shovel Logger
Manufacturer and Model	John Deere PowerTech™ Plus 6090PSS	John Deere PowerTech Plus 6090PSS
Non-Road Emission Standard	EPA Final Tier 4 / EU Stage IV	EPA Final Tier 4 / EU Stage V
Displacement	9.0 L (549 cu. in.)	9.0 L (549 cu. in.)
Peak Power at 1,900 rpm	246 kW (330 hp)	246 kW (330 hp)
Net Peak Torque at 1,500 rpm	1527 Nm (1,126 lb.-ft.)	1527 Nm (1,126 lb.-ft.)
Cooling	953ML Shovel Logger / 959ML Directional Feller/Shovel Logger	
Fan Type	Suction type, hydraulically driven, variable speed, reversing	
Hydraulics		
Closed center, pressure compensated, load sense		
Main Pump	Variable-displacement axial piston	
Maximum Rated Flow	532 L/min. (141 gpm)	
Attachment Pump	Dedicated variable-displacement axial piston	
Maximum Rated Flow	209 L/min. (55 gpm)	
Oil Filtration	2 main return filters, 10-micron return with bypass, one case-drain strainer, 25 micron	
Electrical		
Voltage	24 volt	
Number of Batteries	2 x 12 volt	
Alternator Rating	200 amp	
Work Lights		
Standard	Halogen (8 flood, 5 spot)	
Optional	LED (11 flood, 3 spot)	
Optional Boom Lighting	LED (2 flood); live-heel shovel logger only	
Service Lights		
Standard	Halogen (3)	
Optional	LED (3)	
Undercarriage	953ML Shovel Logger	959ML Directional Feller/Shovel Logger
Integral track guides, thick high-abrasion-resistant material, ramp angles, hydraulic track adjustment		
Track Size	U7 Extreme duty (EXD)	U7L EXD
Track Chain	215.9 mm (8.5 in.)	215.9 mm (8.5 in.)
Number of Track Links (per side)	47	47
Lower Rollers (per side)	9	10
Carrier Slides / Rollers (per side)	2	2
Travel Performance		
Travel Speed, Forward and Reverse		
High	4.75 km/h (3.0 mph)	3.6 km/h (2.2 mph)
Low	2.2 km/h (1.4 mph)	1.7 km/h (1.0 mph)
Tractive Effort	321 kN (72,140 lbf)	373 kN (83,880 lbf)
Rotating Upper		
Swing System, Standard		
Swing Speed (maximum)	4.8 rpm	5.0 rpm
Swing Torque	110 174 Nm (81,260 lb.-ft.)	110 170 Nm (81,257 lb.-ft.)
Swing Brake	Sealed wet multi-disc, manually applied/released	Sealed wet multi-disc, manually applied/released
Serviceability	953ML Shovel Logger / 959ML Directional Feller/Shovel Logger	
Fuel Tank	1080 L (285 gal.)	
Diesel Exhaust Fluid (DEF) Tank	42 L (11 gal.)	
Ground Pressure (SAE J1309)	953ML Shovel Logger	959ML Directional Feller/Shovel Logger
Includes standard equipment, 11.0-m boom with heel, half-full fuel tank, and all fluids, less attachment		
Undercarriage	U7 EXD	U7L EXD
Counterweight	Large	Medium
Boom	Heel	Live heel
Track Shoes		
610-mm (24 in.) Double Grouser	N/A	75.6 kPa (11.0 psi)
610-mm (24 in.) Single Grouser	N/A	75.5 kPa (11.0 psi)
711-mm (28 in.) Single Grouser	N/A	65.4 kPa (9.5 psi)
914-mm (36 in.) Triple Grouser	47.6 kPa (6.9 psi)	N/A

While general information, pictures, and descriptions are provided, some illustrations and text may include product options and accessories NOT AVAILABLE in all regions, and in some countries products and accessories may require modifications or additions to ensure compliance with the local regulations of those countries.

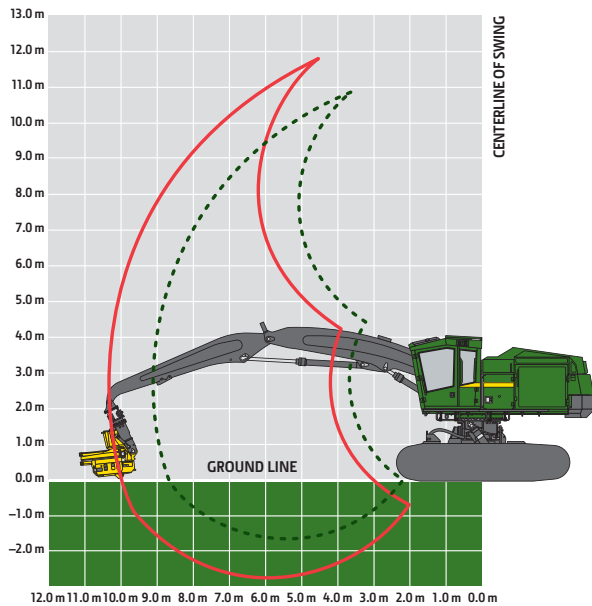


Operating Weight	953ML Shovel Logger	959ML Directional Feller	959ML Shovel Logger
Includes standard equipment, flat skylight, half-full fuel tank, and all fluids, less attachment			
Track Shoes	914-mm (36 in.) triple-grouser tracks	610-mm (24 in.) single-grouser tracks	610-mm (24 in.) single-grouser tracks
Undercarriage	U7 EXD	U7L EXD	U7L EXD
Counterweight	Large	Medium	Medium
Boom	11.0-m Heel	9.12-m Power	10.34 m
Approximate Weight — Base Machine	37 190 kg (82,000 lb.)	36 910 kg (81,390 lb.)	37 130 kg (81,870 lb.)

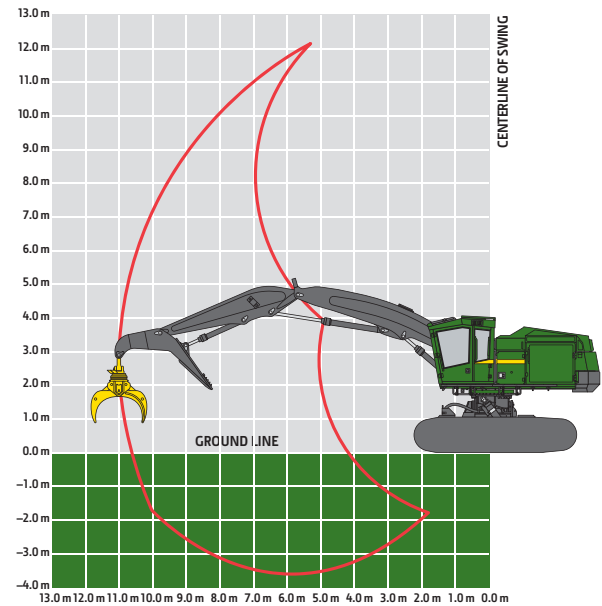
Boom Performance

9.12-m Boom (5.44-m swath) with FL100			
Lift Option	N/A	Power	N/A
Lift Capacity, Bare Pin at Full Reach	N/A	6170 kg (13,600 lb.)	N/A
Lift Capacity, Bare Pin at 7.62 m (25 ft.)	N/A	8220 kg (18,130 lb.)	N/A
Lift Capacity, Bare Pin at 6.10 m (20 ft.)	N/A	10 670 kg (25,530 lb.)	N/A
10.34-m Boom (6.13-m swath) with FL100			
Lift Option	N/A	Standard	N/A
Lift Capacity, Bare Pin at Full Reach	N/A	4860 kg (10,720 lb.)	N/A
Lift Capacity, Bare Pin at 9.14 m (30 ft.)	N/A	5800 kg (12,790 lb.)	N/A
Lift Capacity, Bare Pin at 7.62 m (25 ft.)	N/A	7300 kg (16,100 lb.)	N/A
Lift Capacity, Bare Pin at 6.10 m (20 ft.)	N/A	9460 kg (20,860 lb.)	N/A
11.0-m Boom (6.23-m swath)			
Lift Option	Standard, Including Heel	N/A	Standard, Including Live Heel
Lift Capacity, Bare Pin at Full Reach	4360 kg (9,610 lb.)	N/A	4360 kg (9,610 lb.)
Lift Capacity, Bare Pin at 9.14 m (30 ft.)	6240 kg (13,760 lb.)	N/A	6250 kg (13,790 lb.)
Lift Capacity, Bare Pin at 7.62 m (25 ft.)	7750 kg (17,090 lb.)	N/A	7700 kg (16,980 lb.)
Lift Capacity, Bare Pin at 6.10 m (20 ft.)	9850 kg (21,720 lb.)	N/A	9690 kg (21,360 lb.)

959ML Directional Feller



953ML / 959ML Shovel Loggers



While general information, pictures, and descriptions are provided, some illustrations and text may include product options and accessories NOT AVAILABLE in all regions, and in some countries products and accessories may require modifications or additions to ensure compliance with the local regulations of those countries.

953ML / 959ML

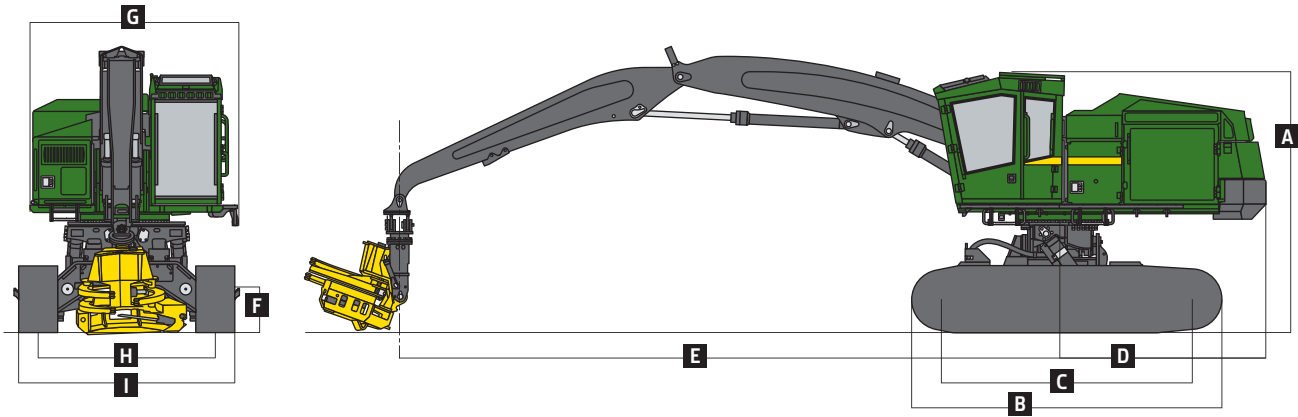
Attachment Information		FL100*	
Dimensions		Rotator	
Height (to boom pin)	2420 mm (95.3 in.)	Rotation	Continuous
Width (arms open)	2270 mm (89.4 in.)	Rotate Motors	2
Depth (arms open)	1995 mm (78.5 in.)	Grapple Arms	
Weight	2995 kg (6,600 lb.)	Maximum Opening	1470 mm (57.9 in.)
Cutting		Minimum Closed Diameter	110 mm (4.3 in.)
Saw Bar	1140 mm (45 in.)	Grapple Capacity	0.77 m ² (8.4 sq. ft.)
Saw Motor	50 cc	Cylinders	
Chain Tension	Auto (standard)	Grapple Arms	110-mm (4.3 in.) cushioned (2)
Maximum Cut	1000 mm (39.3 in.)	Tilt	90 mm (3.5 in.) (2)
Chain	19-mm (0.75 in.) pitch	Configuration	959ML Directional Feller
Chain Oil Capacity	35 L (9.2 gal.)		

*FL100 available on the 959ML Directional Feller only.

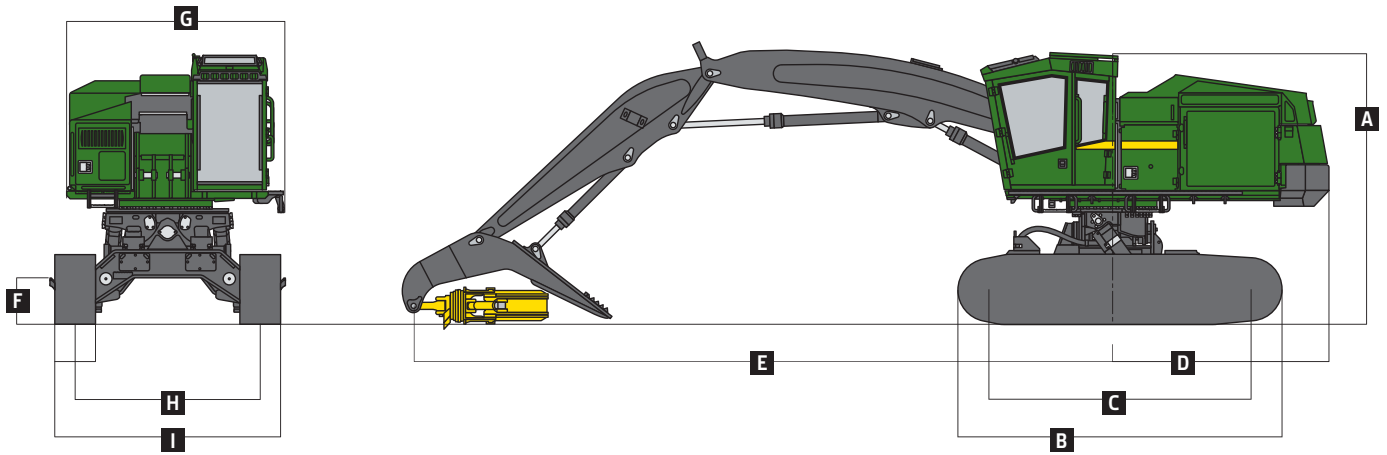
Machine Dimensions	953ML Shovel Logger	959ML Directional Feller	959ML Shovel Logger
Standard Undercarriage	U7 EXD	U7L EXD	U7L EXD
A Overall Height (standard configurations)	With 11.00-m (36 ft. 1 in.) heel shovel logger boom	With 10.34-m (33 ft. 11 in.) directional feller boom	With 11.00-m (36 ft. 1 in.) live heel shovel logger boom
Top of Cab with Flat Skylight	3.55 m (11 ft. 8 in.)	4.03 m (13 ft. 3 in.)	4.03 m (13 ft. 3 in.)
Top of Cab with Peaked Skylight	3.77 m (12 ft. 4 in.)	4.24 m (13 ft. 11 in.)	4.24 m (13 ft. 11 in.)
Top of Boom, Extended, Attachment Vertical	4.37 m (14 ft. 4 in.)	4.56 m (15 ft. 0 in.)	4.56 m (15 ft. 0 in.)
B Overall Track Length	4.90 m (16 ft. 1 in.)	4.90 m (16 ft. 1 in.)	4.90 m (16 ft. 1 in.)
C Track Length (idler to sprocket center)	3.83 m (12 ft. 7 in.)	3.81 m (12 ft. 6 in.)	3.81 m (12 ft. 6 in.)
D Tail Swing (from swing center)	3.18 m (10 ft. 5 in.)	3.18 m (10 ft. 5 in.)	3.18 m (10 ft. 5 in.)
E Boom Reach (to attachment pin)			
9.12-m Boom	N/A		
Maximum	N/A	9.12 m (29 ft. 11 in.)	N/A
Minimum	N/A	3.68 m (12 ft. 1 in.)	N/A
Cutting Swath	N/A	5.44 m (17 ft. 10 in.)	N/A
10.34-m Boom	N/A		
Maximum	N/A	10.34 m (33 ft. 11 in.)	N/A
Minimum	N/A	4.21 m (13 ft. 10 in.)	N/A
Cutting Swath	N/A	6.13 m (20 ft. 1 in.)	N/A
11.0-m Boom with Heel			
Maximum	11.00 m (36 ft. 1 in.)	N/A	11.00 m (36 ft. 1 in.)
Minimum	5.10 m (16 ft. 9 in.)	N/A	4.77 m (15 ft. 8 in.)
Cutting Swath	5.90 m (19 ft. 4 in.)	N/A	6.23 m (20 ft. 5 in.)
F Ground Clearance			
Single Grouser	779 mm (31 in.)	770 mm (30 in.)	770 mm (30 in.)
Double Grouser	756 mm (30 in.)	747 mm (29 in.)	747 mm (29 in.)
Triple Grouser	738 mm (29 in.)	N/A	N/A
G Upperstructure Width			
With Standard Walkway	N/A	3.20 m (10 ft. 6 in.)	3.20 m (10 ft. 6 in.)
Without Optional Walkway	3.05 m (10 ft. 0 in.)	N/A	N/A
With Optional Walkway	3.20 m (10 ft. 6 in.)	N/A	N/A
H Track Gauge	2.69 m (8 ft. 10 in.)	2.72 m (8 ft. 11 in.)	2.72 m (8 ft. 11 in.)
I Width Over Tracks			
610-mm (24 in.) Track Shoes	N/A	3.33 m (10 ft. 11 in.)	3.33 m (10 ft. 11 in.)
711-mm (28 in.) Track Shoes	N/A	3.43 m (11 ft. 3 in.)	3.43 m (11 ft. 3 in.)
914-mm (36 in.) Track Shoes	3.61 m (11 ft. 10 in.)	N/A	N/A

While general information, pictures, and descriptions are provided, some illustrations and text may include product options and accessories NOT AVAILABLE in all regions, and in some countries products and accessories may require modifications or additions to ensure compliance with the local regulations of those countries.

959ML Directional Feller



953ML / 959ML Shovel Loggers





JOHN DEERE

JohnDeere.com/forestry

TO FIND SUCCESS IN THE FOREST,
YOU CAN WAIT FOR THE PERFECT SET OF CONDITIONS.

Or give yourself every advantage to create your own.
Productive machines. Innovative technology. Useful insights.
Dependable support.

The obstacles to success are many. John Deere helps you

OUTRUN™ THEM ALL.



DKD900M Litho in U.S.A. (20-11)