

# REPLACEMENT PARTS GUIDE

## X380 Lawn and Garden Tractor

### ENGINE



**OIL FILTER**  
[AM125424](#)

Change Every 100/200 Hrs.



**ENGINE OIL**  
[TY22029](#) (TURF-GARD™ 10W30)  
(WITH OIL FILTER 2.1 L (2.2 qt))

Change Every 100/200 Hrs.



**SPARK PLUG**  
[M805853](#)

Change Every 100/200 Hrs.



**AIR FILTER**  
[MIU12554](#) (PRIMARY)  
[MIU12555](#) (SECONDARY)

Change Every 100/200 Hrs.



**FUEL FILTER IN LINE**  
[AM116304](#)

Change Every 100/200 Hrs.



**JOHN DEERE MULTI-PURPOSE HD LITHIUM COMPLEX GREASE**  
[TY24416](#)

**GREASE GUN**  
[TY26518](#)

Change As Required.



**HOME MAINTENANCE KIT**  
[LG265](#) (FOR CANADA AND USA)  
[AUC17070](#) (NOT FOR CANADA AND USA)

### TRANSMISSION



**TRACTION DRIVE BELT**  
[UC35484](#) (LGTH = 2334 mm,  
WIDTH = 12.7 mm, TK = 7.874 mm)



### ELECTRICAL



**KEY**  
[GY20680](#)



**PLUNGER SWITCH**  
[AUC12129](#)



**REVERSE IMPLEMENT PUSH SWITCH**  
[AUC12828](#)



**ROTARY SWITCH**  
[AM133597](#)



**HEADLIGHT**  
[AD2062R](#) (27 W)



**CONTROL LEVER THROTTLE CABLE**  
[AM140333](#)



**BATTERY**  
[TY25221B](#) (12 V) (FOR CANADA AND USA)  
[MCYP340PE](#) (12 V) (NOT FOR CANADA AND USA)

### FUEL & AIR



**FILLER CAP**  
[AM141406](#)



**MUFFLER**  
[AM141137](#)

# REPLACEMENT PARTS GUIDE

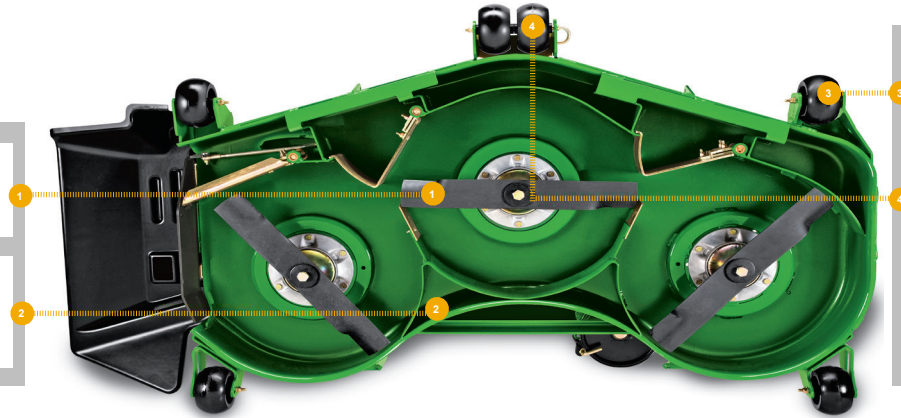
## X380 with 48 inch Accel Deep™ Deck



**MOWER BLADES**  
[UC22009](#)



**V - BELT**  
[M169500](#) (LGTH = 2629 mm, TK = 11 mm,  
WIDTH = 16.6 mm)



**GAGE WHEEL**  
[M111489](#)



**ROLLER**  
[M113955](#)



**MOWER DECK LEVELLING GUAGE**  
[AM130907](#)

# REPLACEMENT PARTS GUIDE

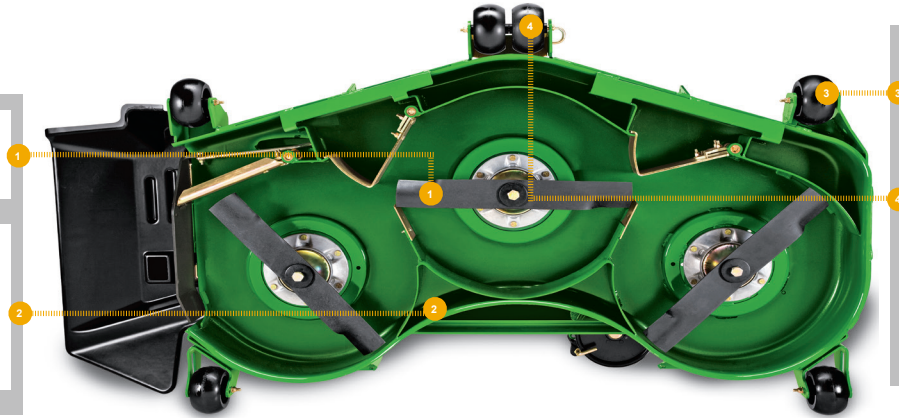
## X380 with 54 inch Accel Deep™ Deck



**MOWER BLADE**  
[UC22010](#)



**V - BELT**  
[M169485](#) (LGTH = 1900 mm, TK = 11 mm,  
WIDTH = 16.6 mm) (PRIMARY)  
[M169486](#) (LGTH = 2810 mm, TK = 11 mm,  
WIDTH = 16.6 mm) (SECONDARY)



**GAGE WHEEL**  
[M111489](#)



**ROLLER**  
[M113955](#)



**MOWER DECK LEVELLING GUAGE**  
[AM130907](#)