

# 250G LC / 290G LC

25–29 metric ton



JOHN DEERE







# Accelerate your profitability.

With more arm force, dig force, and lift capacity making the most of every gallon of fuel, the 250G LC and 290G LC Excavators will fast-track your bottom line. Rugged EPA Interim Tier 4/ EU Stage IIIB PowerTech™ diesel engines meet rigid emission regulations, enabling you to work, wherever there's work — without compromising power, reliability, or ease of operation. Customer-inspired refinements include a more comfortable spacious cab. And a refined LCD monitor with simplified navigation that lets an operator easily dial-in to a wealth of machine information and functionality. But that's only the beginning. To learn all there is to know about the G-Series Excavators, make tracks to your John Deere dealer.



The IT4/Stage IIIB technology utilized in our PowerTech diesel engines is simple, fuel efficient, fully integrated, and fully supported.

Extended engine and hydraulic oil service intervals increase uptime and reduce daily operating costs.

With increased visibility, a larger entryway, generous legroom, and a more supportive high-back seat, the refined cab offers even more convenience and comfort.

Hydraulically driven, highly efficient fan runs only as needed, reducing noise, fuel consumption, and operating costs. Reversing option automatically back-blows cooler cores to keep them clean.

Your excavator comes standard-equipped with JDLink™ Ultimate, giving you 24/7 online access to its location, health, utilization, fuel consumption, and other valuable info — so you can better understand costs and jobsite performance. Helps protect your machine from theft, too. See your dealer for details.

### 250G LC

Net rated power	140 kW (188 hp)
Operating weight	25 281 kg (55,736 lb.)
Lifting capacity	8381 kg (18,478 lb.)
Maximum digging depth	7.61 m (25 ft. 0 in.)
Arm digging force	112.2–114.0 kN (25,220–25,628 lb.)
Bucket digging force	175.9–189.0 kN (39,552–42,489 lb.)

### 290G LC

Net rated power	140 kW (188 hp)
Operating weight	30 090 kg (66,338 lb.)
Lifting capacity	9777 kg (21,554 lb.)
Maximum digging depth	7.88 m (25 ft. 10 in.)
Arm digging force	121.3–127.0 kN (27,277–28,551 lb.)
Bucket digging force	175.0–203.0 kN (39,352–45,636 lb.)





# Got a lot on your plate? Dig in.

Serving up to eight-percent more productivity than the models they replace, the 250G LC and 290G LC have insatiable appetites for work. Optimized hydraulics yield more muscle, so you can get in, get done, and get on to the next job. Even with their extra ability, these excavators don't compromise the smooth control and multifunction capability that have become the trademarks of our excavators. And if you're hungry for even more productivity, add any of the many options and pile even more on your plate.





Powerwise™ III perfectly balances engine performance and hydraulic flow for predictable operation. Three productivity modes allow you to choose the digging style that fits the job. **High-productivity** delivers more power and faster hydraulic response to move more material. **Power** delivers a balance of power, speed, and fuel economy for normal operation. **Economy** limits top speed and helps save fuel.

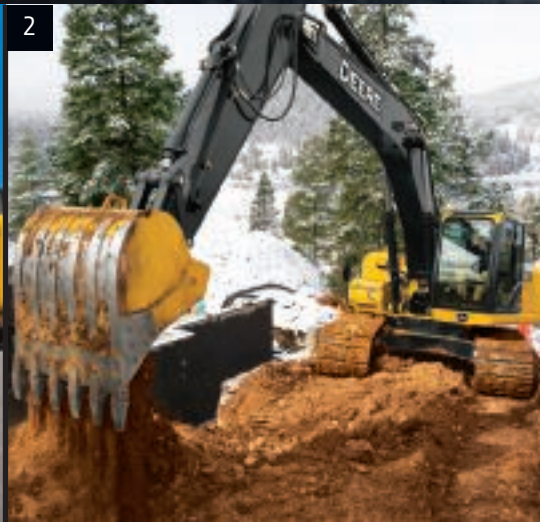
Choose from a variety of track widths, arm lengths, buckets, high-flow auxiliary hydraulic packages, and other options.

Machine Information Center (MIC) captures and stores vital machine performance and utilization data to help improve productivity, uptime, and profit.


1. For work that requires extra finesse, the G-Series' short-throw low-effort controls, unmatched metering, and smooth multifunction operation give the precision you need.

2. Generous flow, arm force, and swing torque help speed cycles. So you can do your best to stay on schedule or ahead of the weather.

3. When the digging gets tough, simply press the power-boost button on the right-hand control and muscle through.





The image shows the interior of a tractor cab, viewed from the operator's perspective. The cab is spacious and well-appointed, featuring a grey fabric-covered high-back seat. The control panel is equipped with a rotary monitor, a joystick, and various buttons and switches. A stainless steel cup is placed in a holder on the left side of the seat. The background shows the yellow and green mechanical components of the tractor, including the engine and PTO. Safety labels with the word "DANGER" are visible on the dashboard area.

# Operating ease takes a turn for the better.

Now it's easier than ever for your operators to "dial things up." The G-Series' refined monitor employs a rotary control that makes it quick and easy to tap into an abundance of performance and convenience functions and features. Operators will also appreciate the comfortable fabric-covered high-back seat and increased legroom in the spacious, well-appointed cab. As always, unsurpassed all-round visibility, low-effort joysticks, a highly efficient HVAC system, and numerous other amenities provide everything your operators need to do their best work.





With large self-cleaning steps and wide entryways, getting in and out of our excavators has never been easier.

Spacious cab is comfortable and noticeably quiet. Silicone-filled mounts effectively isolate operators from noise and vibration.

We've got your back with a sculpted mechanical-suspension high-back seat. Seat has 318 mm (12½ in.) of travel, sliding together or independent of the joystick console. So it won't cramp an operator's style. For even more support and comfort, opt for the air-suspension heated seat.

Ergonomically correct short-throw pilot levers provide smooth, predictable fingertip control with less movement or effort. Pushbuttons in the right lever allow fingertip control of auxiliary hydraulic flow for operating attachments.

No shortage of storage in here. There's a place for a cooler, cup holders, and even a hot/cold box that keeps beverages at just the right temperature.

Right and left boom lights and optional cab lights provide illumination to extend your workday beyond normal daylight hours.

1. Multi-language LCD monitor and rotary dial provide intuitive access to a wealth of information and functions. Just turn and tap to select work mode, access operating info, check maintenance intervals, source diagnostic codes, adjust cab temperature, and tune the radio. Plus much more.
2. Wide expanse of front and side glass, narrow front cab posts, large overhead glass, and numerous mirrors provide virtually unobstructed all-around visibility. If you need to see more, choose the optional camera that displays the action behind on the monitor.
3. Automatic, high-velocity bi-level climate-control system with automotive-style adjustable louvers helps keep the glass clear and the cab comfortable.





# Nothing runs like a Deere, because nothing is built like one.

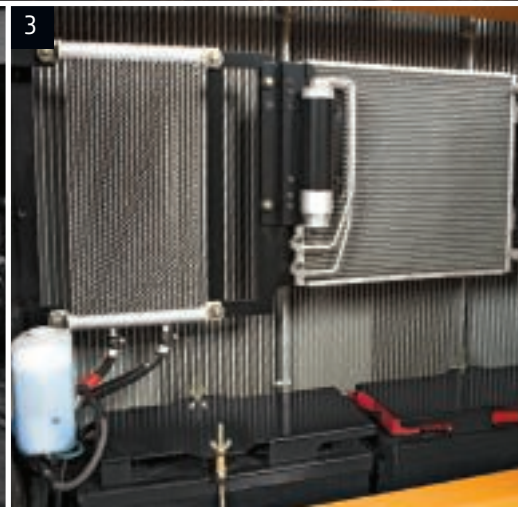
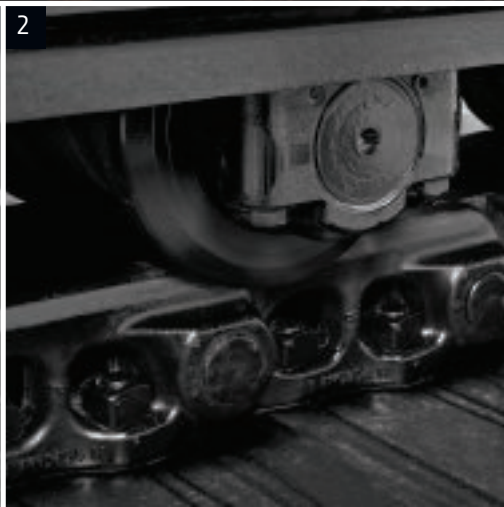
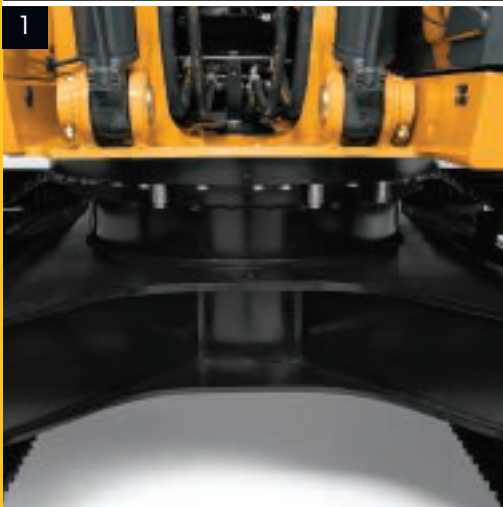
Making the 250G LC and 290G LC better than their predecessors didn't require a total machine makeover. In fact, these two employ many of the same highly reliable digging structures and hydraulic, electrical, and undercarriage components. You'll also continue to profit from durability-enhancing "extras" such as tungsten-carbide-coated wear surfaces, welded-boom bulkheads, wet-sleeve engine liners, and extended service intervals. When you know how they're built, you'll run a Deere.

A John Deere exclusive, three welded bulkheads within the boom resist torsional stress for unsurpassed durability. Booms, arms, and mainframes are so tough, they're warranted for three years or 10,000 hours.

Graphite-iron wet-sleeve cylinder liners, mono-steel pistons, and large-diameter connecting rods ensure long-term engine durability.

Reinforced resin thrust plates, grooved bushings, and thermal-coated bucket joints increase arm and boom lube intervals to 500 hours.

Oil-impregnated bushings enhance durability and extend grease intervals to 500 hours for the arm-and-boom joint and 100 hours for the bucket joint.







Our IT4/Stage IIB technology is simple, fuel efficient, fully integrated, and fully supported. It employs field-proven cooled exhaust gas recirculation (EGR) for reducing NOx, and a diesel particulate filter (DPF) and diesel oxidation catalyst (DOC) to reduce particulate matter. Periodic active and passive regeneration automatically cleans the filter without impacting machine productivity.

Tungsten-carbide coating creates an extremely wear-resistant surface to protect the all-important bucket-to-arm joint.



1. Thick-plate single-sheet mainframe, box-section track frames, and industry-exclusive double-seal swing bearing deliver rock-solid durability.
2. With large idlers, rollers, and strutted links, the sealed and lubricated undercarriage delivers long and reliable performance.

3. Highly efficient, heavy-duty cooling system keeps things cool, even in tough environments or high altitudes.
4. Reinforced D-channel side frames provide maximum cab and component protection.



# You'll become a big fan of the G-Series' low maintenance.

Swing open the side panels and you'll discover many of the numerous ways these excavators increase uptime and reduce daily operating costs. Take the heavy-duty cooling system, for example. Its hydraulically driven fan runs only as fast or as often as needed, reducing fuel consumption and wear-causing debris flow through the cooler cores. As always, grouped service points make quick work of the daily routine. Easy-to-check sight gauges and fluid reservoirs. Quick-change remote-mounted filters. Convenient fluid-sample ports and advanced self-diagnostics — with time- and money-saving advantages such as these, it's easy to become a big G-Series fan.

IT4/EU Stage IIIB diesel particulate filter (DPF) is easily removed through the top of the engine compartment. Minimum service interval is 4,500 hours and can be done by your John Deere dealer.

Fluid-level sight gauges are conveniently located and can be checked at a glance.



## Engine Oil Filter

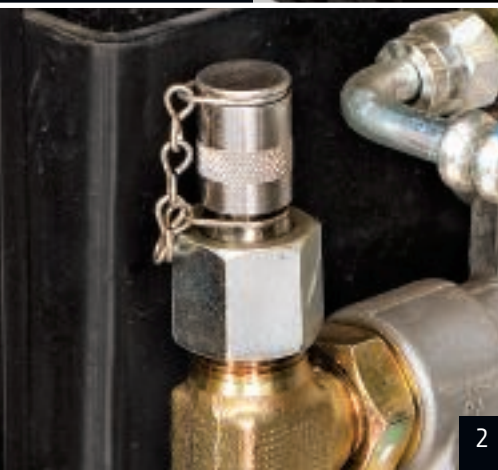
### Previous Maintenance

2012/04/07 0.0h

Remains 498.8h

Maintenance Interval 500.0h

1



2



3



Auto-idle automatically reduces engine speed when hydraulics aren't in use. Auto-shutdown further preserves precious fuel.

Optional reversing fan back-blows cooler cores to reduce debris buildup. It's a welcome addition that helps increase uptime.

Large fuel tanks and 500- and 5,000-hour engine and hydraulic oil-service intervals decrease downtime for routine maintenance.

Convenient color-coded lubrication and maintenance chart helps ensure that nothing gets overlooked.

Ultimate Uptime is a customizable support solution available exclusively from your Deere dealer. In addition to pre-delivery

and follow-up inspections, Ultimate Uptime features the powerful uptime-optimization benefits of John Deere WorkSight™ in base — three years of JDLink™ Ultimate machine monitoring, machine-health prognostics, and remote diagnostics and programming — to better prevent downtime and reduce repair time and cost when it does occur. Our dealers can work with you to add additional solutions to meet the specific needs of your business, such as extended warranties, customized maintenance and repair agreements, fluid sampling, and much more.



1. LCD monitor tracks scheduled maintenance intervals and issues reminders. Should a problem arise, it provides diagnostic information to help decrease downtime.
2. Convenient fluid-sample and diagnostic test ports help speed preventative maintenance and defeat downtime.
3. Vertical spin-on fuel and engine oil filters are positioned in the right rear compartment for simplified ground-level servicing.
4. Fresh-air cab filter is quickly serviced from outside the cab. Where it's more likely to get done.
5. Centralized lube banks place difficult-to-lube zerks within easy reach. They make greasing less messy and time consuming, too.
6. Perforations in the hood and side shields act as a "first filter." Anything that passes through will also clear the 10-fin-per-inch cooler cores.



4



5



6



# 250G LC

Engine	250G LC		
	Base engine for use in U.S., U.S. Territories, and Canada	Optional engine for use outside the U.S. and U.S. Territories	Optional engine for use outside the U.S., U.S. Territories, and Canada
Manufacturer and Model	John Deere PowerTech™ PVX 6.8 L	John Deere PowerTech™ Plus 6.8 L	John Deere PowerTech™ 6.8 L
Non-Road Emission Standard	EPA Interim Tier 4/EU Stage IIIB	EPA Tier 3/EU Stage IIIA	EPA Tier 2/EPA Stage II
Net Rated Power (ISO 9249)	140 kW (188 hp) at 2,100 rpm	140 kW (188 hp) at 2,000 rpm	140 kW (188 hp) at 2,000 rpm
Cylinders	6	6	6
Displacement	6.8 L (415 cu. in.)	6.8 L (415 cu. in.)	6.8 L (415 cu. in.)
Off-Level Capacity	70% (35 deg.)	70% (35 deg.)	70% (35 deg.)
Aspiration	Turbocharged, air-to-air charge-air cooler	Turbocharged, air-to-air charge-air cooler	Turbocharged, air-to-air charge-air cooler
<b>Cooling</b>			
Cool-on-demand hydraulic-driven, suction-type fan with remote-mounted drive			
<b>Powertrain</b>			
2-speed propel with automatic shift			
<b>Maximum Travel Speed</b>			
Low	3.3 km/h (2.1 mph)		
High	5.5 km/h (3.4 mph)		
Drawbar Pull	22 650 kg (49,935 lb.)		
<b>Hydraulics</b>			
Open center, load sensing			
<b>Main Pumps</b>	2 variable-displacement pumps		
Maximum Rated Flow	224 L/m (59.2 gpm) x 2		
<b>Pilot Pump</b>	One gear		
Maximum Rated Flow	34 L/m (8.9 gpm)		
Pressure Setting	3900 kPa (566 psi)		
<b>System Operating Pressure</b>			
Circuits			
Implement	34 300 kPa (4,975 psi)		
Travel	35 000 kPa (5,076 psi)		
Swing	33 300 kPa (4,830 psi)		
Power Boost	38 000 kPa (5,511 psi)		
<b>Controls</b>	Pilot levers, short stroke, low-effort hydraulic pilot controls with shutoff lever		
<b>Cylinders</b>			
	<i>Bore</i>	<i>Rod Diameter</i>	<i>Stroke</i>
<b>Boom (2)</b>	124 mm (4.9 in.)	89 mm (3.5 in.)	1389 mm (54.7 in.)
<b>Arm (1)</b>	140 mm (5.5 in.)	99 mm (3.9 in.)	1610 mm (63.4 in.)
<b>Bucket (1)</b>	130 mm (5.1 in.)	89 mm (3.5 in.)	1074 mm (42.3 in.)
<b>Electrical</b>			
Number of Batteries (12 volt)	2		
Battery Capacity	1,400 CCA		
Alternator Rating	100 amp		
Work Lights	2 halogen (one mounted on boom, one on frame)		
<b>Undercarriage</b>			
<b>Rollers (each side)</b>			
Carrier	2		
Track	9		
Shoes, Triple Semi-Grousers (each side)	51		
<b>Track</b>			
Adjustment	Hydraulic		
Guides	2 per side		
Chain	Sealed and lubricated		





**Ground Pressure** **250G LC**

700-mm (28 in.) Triple Semi-Grouser Shoes	41.8 kPa (6.06 psi)
800-mm (32 in.) Triple Semi-Grouser Shoes	37.0 kPa (5.37 psi)

**Swing Mechanism**

Speed	13.5 rpm
Torque	74 376 Nm (54,857 lb.-ft.)

**Serviceability**

**Refill Capacities**

Fuel Tank	500 L (132 gal.)
Cooling System	23 L (6 gal.)
Engine Oil with Filter	19.5 L (5.2 gal.)
Hydraulic Tank	147.6 L (39 gal.)
Hydraulic System	240 L (63 gal.)
Swing Drive	7 L (7.5 qt.)
Gearbox	
Propel (each)	6.2 L (6.5 qt.)
Pump Drive	1.1 L (1.2 qt.)

**Operating Weights**

With full fuel tank; 79-kg (175 lb.) operator; 1.06-m<sup>3</sup> (1.38 cu. yd.), 1065-mm (42 in.), 997-kg (2,197 lb.) bucket; 3.61-m (11 ft. 10 in.) arm; 5112-kg (11,270 lb.) counterweight; and 800-mm (32 in.) triple semi-grouser shoes

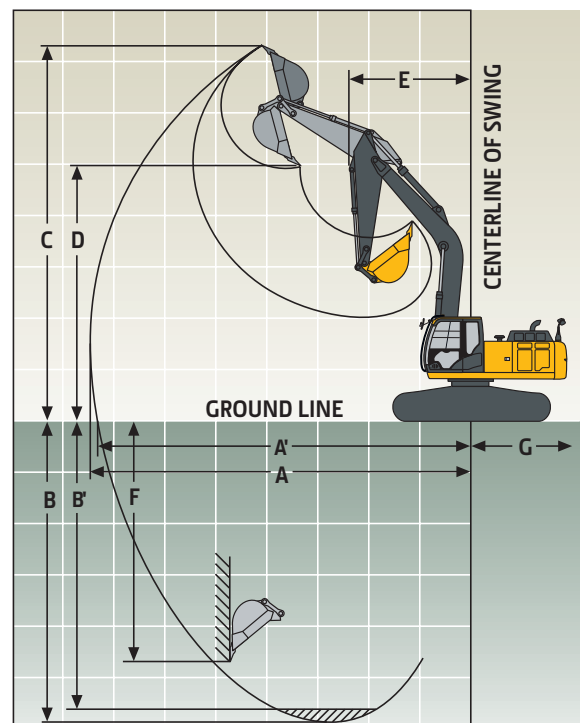
Operating Weight	25 281 kg (55,736 lb.)
------------------	------------------------

**Component Weights**

Undercarriage with Triple Semi-Grouser Shoes	
700 mm (28 in.)	8467 kg (18,667 lb.)
800 mm (32 in.)	8752 kg (19,294 lb.)
One-Piece Boom (with arm cylinder)	2210 kg (4,872 lb.)
Arm with Bucket Cylinder and Linkage	
2.96 m (9 ft. 9 in.)	1296 kg (2,858 lb.)
3.61 m (11 ft. 10 in.)	1396 kg (3,078 lb.)
Boom-Lift Cylinders (2), Total Weight	434 kg (958 lb.)
1.06-m <sup>3</sup> (1.38 cu. yd.), 1065-mm (42 in.) Heavy-Duty Plate-Lip Bucket	997 kg (2,197 lb.)
Counterweight, Standard	5112 kg (11,270 lb.)

**Operating Dimensions**

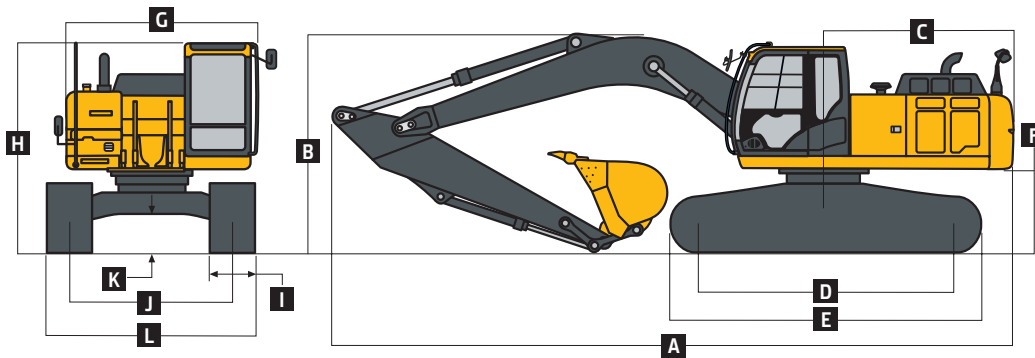
<b>Arm Length</b>		<i>2.96 m (9 ft. 9 in.)</i>	<i>3.61 m (11 ft. 10 in.)</i>
<b>Arm Digging Force</b>			
SAE		129.1 kN (29,021 lb.)	112.2 kN (25,220 lb.)
ISO		131.0 kN (29,450 lb.)	114.0 kN (25,628 lb.)
<b>Bucket Digging Force</b>			
SAE		175.9 kN (39,552 lb.)	175.9 kN (39,552 lb.)
ISO		189.0 kN (42,489 lb.)	189.0 kN (42,489 lb.)
Lifting Capacity Over Front at Ground Level 6.1-m (20 ft.) Reach (with power boost)			
<b>A</b>	Maximum Reach	10.29 m (33 ft. 9 in.)	10.91 m (35 ft. 10 in.)
<b>A<sup>1</sup></b>	Maximum Reach at Ground Level	10.11 m (33 ft. 2 in.)	10.75 m (35 ft. 3 in.)
<b>B</b>	Maximum Digging Depth	6.96 m (22 ft. 10 in.)	7.61 m (25 ft. 0 in.)
<b>B<sup>1</sup></b>	Maximum Digging Depth at 2.44-m (8 ft. 0 in.) Flat Bottom	6.75 m (22 ft. 2 in.)	7.44 m (24 ft. 5 in.)
<b>C</b>	Maximum Cutting Height	10.16 m (33 ft. 4 in.)	10.56 m (34 ft. 8 in.)
<b>D</b>	Maximum Dumping Height	7.20 m (23 ft. 7 in.)	7.58 m (24 ft. 10 in.)
<b>E</b>	Minimum Swing Radius	3.44 m (11 ft. 3 in.)	3.43 m (11 ft. 3 in.)
<b>F</b>	Maximum Vertical Wall	6.03 m (19 ft. 9 in.)	6.74 m (22 ft. 1 in.)
<b>G</b>	Tail-Swing Radius	3.14 m (10 ft. 4 in.)	3.14 m (10 ft. 4 in.)





**Machine Dimensions 250G LC**

<b>A</b> Overall Length	2.96 m (9 ft. 9 in.)	10.35 m (34 ft. 0 in.)
	3.61 m (11 ft. 10 in.)	10.41 m (34 ft. 2 in.)
<b>B</b> Overall Height	2.96 m (9 ft. 9 in.)	3.07 m (10 ft. 1 in.)
	3.61 m (11 ft. 10 in.)	3.14 m (10 ft. 4 in.)
<b>C</b> Rear-End Length/Swing Radius		3.14 m (10 ft. 4 in.)
<b>D</b> Distance Between Idler/Sprocket Centerline		3.84 m (12 ft. 7 in.)
<b>E</b> Undercarriage Length		4.64 m (15 ft. 3 in.)
<b>F</b> Counterweight Clearance		1.09 m (3 ft. 7 in.)
<b>G</b> Upperstructure Width		2.89 m (9 ft. 6 in.)
<b>H</b> Cab Height		3.01 m (9 ft. 11 in.)
<b>I</b> Track Width with Triple Semi-Grouser Shoes		700 mm (28 in.) / 800 mm (32 in.)
<b>J</b> Gauge Width		2.59 m (8 ft. 6 in.)
<b>K</b> Ground Clearance		0.46 m (18 in.)
<b>L</b> Overall Width with Triple Semi-Grouser Shoes		
	700 mm (28 in.)	3.29 m (10 ft. 10 in.)
	800 mm (32 in.)	3.39 m (11 ft. 3 in.)



**Lift Capacities**

**Boldface type** indicates hydraulically limited capacity; **lightface type** indicates stability-limited capacities, in kg (lb.). Ratings at bucket lift hook; machine equipped with 871-kg (1,920 lb.) bucket; standard gauge; and situated on firm, uniform supporting surface. Total load includes weight of cables, hook, etc. Figures do not exceed 87 percent of hydraulic capacities or 75 percent of weight needed to tip machine. All lift capacities are based on ISO 10567.

Load Point Height	1.5 m (5 ft.)		3.0 m (10 ft.)		4.5 m (15 ft.)		6.0 m (20 ft.)		7.5 m (25 ft.)		9.0 m (30 ft.)	
Horizontal Distance from Centerline of Rotation	Over Front	Over Side	Over Front	Over Side	Over Front	Over Side	Over Front	Over Side	Over Front	Over Side	Over Front	Over Side
<i>With 2.96-m (9 ft. 9 in.) arm and 700-mm (28 in.) shoes</i>												
6.0 m (20 ft.)							5126	5126				
							(11,207)	(11,207)				
4.5 m (15 ft.)					7138	7138	5939	5939	5358	4155		
					(15,343)	(15,343)	(12,881)	(12,881)	(11,712)	(8,903)		
3.0 m (10 ft.)					9529	9253	7053	5839	5900	4012		
					(20,456)	(19,947)	(15,254)	(12,571)	(12,831)	(8,610)		
1.5 m (5 ft.)					11 578	8596	8135	5515	6109	3852		
					(24,945)	(18,513)	(17,591)	(11,872)	(13,128)	(8,276)		
Ground Line					12 543	8277	8576	5295	5973	3728		
					(27,129)	(17,798)	(18,423)	(11,393)	(12,839)	(8,013)		
-1.5 m (-5 ft.)			8446	8446	12 551	8201	8471	5203	5919	3679		
			(19,259)	(19,259)	(27,188)	(17,622)	(18,196)	(11,192)	(12,733)	(7,916)		
-3.0 m (-10 ft.)	9964	9964	14 599	14 599	11 732	8282	8509	5237				
	(22,420)	(22,420)	(33,304)	(33,304)	(25,372)	(17,803)	(18,290)	(11,275)				
-4.5 m (-15 ft.)			13 748	13 748	9758	8530						
			(29,522)	(29,522)	(20,866)	(18,366)						
<i>With 3.61-m (11 ft. 10 in.) arm and 700-mm (28 in.) shoes</i>												
6.0 m (20 ft.)							4380	4380	4073	4073		
							(9,584)	(9,584)	(8,643)	(8,643)		
4.5 m (15 ft.)							5228	5228	4823	4236		
							(11,347)	(11,347)	(10,535)	(9,080)		
3.0 m (10 ft.)					8377	8377	6404	5954	5440	4066	3825	2875
					(17,995)	(17,995)	(13,856)	(12,814)	(11,830)	(8,728)	(7,436)	(6,140)
1.5 m (5 ft.)					10 707	8785	7613	5589	6104	3877	4493	2792
					(23,066)	(18,917)	(16,465)	(12,027)	(13,196)	(8,327)	(8,810)	(5,971)
Ground Line			4492	4492	12 136	8327	8537	5314	5970	3720	4417	2721
			(10,371)	(10,371)	(26,233)	(17,907)	(18,478)	(11,431)	(12,828)	(7,992)	(8,130)	(5,829)
-1.5 m (-5 ft.)	4381	4381	7698	7698	12 576	8149	8438	5167	5872	3631		
	(9,836)	(9,836)	(17,525)	(17,525)	(27,229)	(17,510)	(18,120)	(11,111)	(12,622)	(7,804)		
-3.0 m (-10 ft.)	8049	8049	12 146	12 146	12 165	8158	8413	5145	5876	3635		
	(18,103)	(18,103)	(27,656)	(27,656)	(26,317)	(17,531)	(18,073)	(11,070)	(12,649)	(7,828)		
-4.5 m (-15 ft.)	12 636	12 636	15 638	15 638	10 774	8328	7773	5263				
	(28,581)	(28,581)	(33,670)	(33,670)	(23,160)	(17,916)	(16,579)	(11,351)				



## Lift Capacities (continued) 250G LC

**Boldface type** indicates hydraulically limited capacity; lightface type indicates stability-limited capacities, in kg (lb.). Ratings at bucket lift hook; machine equipped with 871 -kg (1,920 lb.) bucket; standard gauge; and situated on firm, uniform supporting surface. Total load includes weight of cables, hook, etc. Figures do not exceed 87 percent of hydraulic capacities or 75 percent of weight needed to tip machine. All lift capacities are based on ISO 10567.

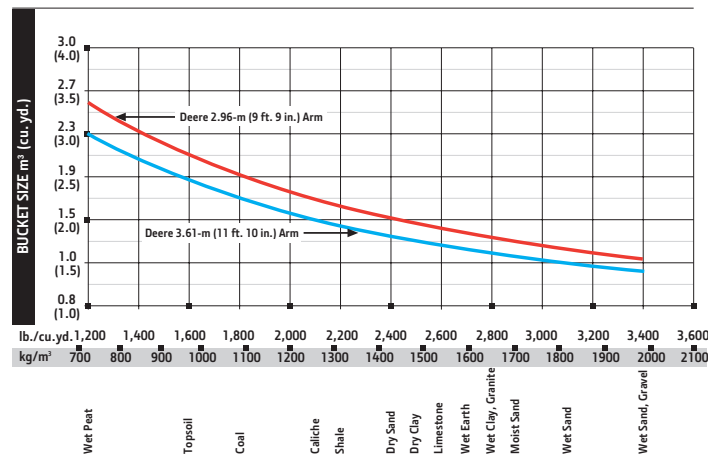
Load Point Height	1.5 m (5 ft.)		3.0 m (10 ft.)		4.5 m (15 ft.)		6.0 m (20 ft.)		7.5 m (25 ft.)		9.0 m (30 ft.)	
Horizontal Distance from Centerline of Rotation	Over Front	Over Side	Over Front	Over Side	Over Front	Over Side	Over Front	Over Side	Over Front	Over Side	Over Front	Over Side
<i>With 2.96-m (9 ft. 9 in.) arm and 800-mm (32 in.) shoes</i>												
6.0 m (20 ft.)								5126 (11,207)	5126 (11,207)			
4.5 m (15 ft.)					7138 (15,343)	7138 (15,343)	5939 (12,881)	5939 (12,881)	5358 (11,712)	4203 (9,007)		
3.0 m (10 ft.)					9529 (20,456)	9347 (20,149)	7053 (15,254)	5902 (12,708)	5900 (12,831)	4059 (8,714)		
1.5 m (5 ft.)					11 578 (24,945)	8690 (18,716)	8135 (17,591)	5578 (12,009)	6182 (13,286)	3900 (8,380)		
Ground Line					12 543 (27,129)	8371 (18,001)	8676 (18,639)	5358 (11,530)	6046 (12,998)	3776 (8,116)		
-1.5 m (-5 ft.)			8446 (19,259)	8446 (19,259)	12 551 (27,188)	8295 (17,825)	8571 (18,413)	5266 (11,329)	5993 (12,891)	3727 (8,019)		
-3.0 m (-10 ft.)	9964 (22,420)	9964 (22,420)	14 599 (33,304)	14 599 (33,304)	11 732 (25,372)	8376 (18,005)	8588 (18,506)	5300 (11,412)				
-4.5 m (-15 ft.)			13 748 (29,522)	13 748 (29,522)	9758 (20,866)	8624 (18,568)						
<i>With 3.61-m (11 ft. 10 in.) arm and 800-mm (32 in.) shoes</i>												
6.0 m (20 ft.)								4380 (9,584)	4380 (9,584)	4073 (8,643)	4073 (8,643)	
4.5 m (15 ft.)								5228 (11,347)	5228 (11,347)	4823 (10,535)	4284 (9,184)	
3.0 m (10 ft.)					8377 (17,995)	8377 (17,995)	6404 (13,856)	6018 (12,951)	5440 (11,830)	4114 (8,831)	3825 (7,436)	2914 (6,223)
1.5 m (5 ft.)					10 707 (23,066)	8879 (19,119)	7613 (16,465)	5652 (12,164)	6104 (13,251)	3925 (8,431)	4503 (8,810)	2830 (6,055)
Ground Line			4492 (10,371)	4492 (10,371)	12 136 (26,233)	8421 (18,109)	8537 (18,478)	5378 (11,568)	6043 (12,986)	3768 (8,095)	4438 (8,130)	2759 (5,912)
-1.5 m (-5 ft.)	4381 (9836)	4381 (9836)	7698 (17,525)	7698 (17,525)	12 576 (27,229)	8243 (17,712)	8538 (18,336)	5230 (11,248)	5945 (12,780)	3679 (7,907)		
-3.0 m (-10 ft.)	8049 (18,103)	8049 (18,103)	12 146 (27,656)	12 146 (27,656)	12 165 (26,317)	8252 (17,734)	8513 (18,290)	5209 (11,207)	5950 (12,807)	3683 (7,932)		
-4.5 m (-15 ft.)	12 636 (25,581)	12 636 (25,581)	15 638 (33,670)	15 638 (33,670)	10 774 (23,160)	8422 (18,118)	7773 (16,579)	5327 (11,488)				

## Buckets

A full line of buckets is offered to meet a wide variety of applications. Digging forces are with power boost. Tooth selection includes the John Deere Fanggs™ Standard, Tiger, Twin Tiger, Abrasion panel, or Flare tooth. Replaceable cutting edges and a variety of teeth are available through John Deere Parts. Optional side cutters add 150 mm (6 in.) to bucket widths. Capacities are SAE heaped ratings.

Type Bucket	Bucket Width		Bucket Capacity		Bucket Weight		Bucket Dig Force		Arm Dig Force 2.96 m (9 ft. 9 in.)		Arm Dig Force 3.61 m (11 ft. 10 in.)		Bucket Tip Radius		Number of Teeth
	mm	in.	m <sup>3</sup>	cu. yd.	kg	lb.	kN	lb.	kN	lb.	kN	lb.	mm	in.	
Heavy Duty	1067	42	1.06	1.4	997	2,197	176.0	39,558	129.1	29,021	112.2	25,220	1435	56.5	5
Heavy Duty	1219	48	1.22	1.6	1071	2,361	176.0	39,558	129.1	29,021	112.2	25,220	1435	56.5	6
Heavy Duty	1372	54	1.39	1.8	1138	2,509	176.0	39,558	129.1	29,021	112.2	25,220	1435	56.5	6
Heavy Duty High Capacity	610	24	0.70	0.9	801	1,767	167.4	37,636	124.7	28,044	108.9	24,477	1588	62.5	3
Heavy Duty High Capacity	760	30	0.92	1.2	913	2,012	167.4	37,636	124.7	28,044	108.9	24,477	1588	62.5	4
Heavy Duty High Capacity	914	36	1.13	1.5	968	2,135	167.4	37,636	124.7	28,044	108.9	24,477	1588	62.5	4
Heavy Duty High Capacity	1065	42	1.34	1.7	1035	2,281	167.4	37,636	124.7	28,044	108.9	24,477	1588	62.5	5
Heavy Duty High Capacity	1220	48	1.55	2.0	1137	2,507	167.4	37,636	124.7	28,044	108.9	24,477	1588	62.5	6
Ditching	1525	60	3.00	3.9	709	1,563	211.4	47,534	136.6	30,705	117.8	26,485	1194	47.0	0

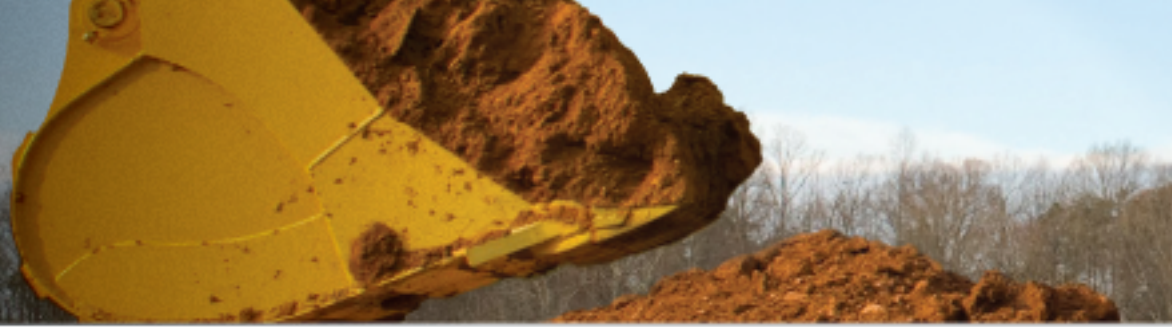
## Bucket Selection Guide\*



\*Contact your John Deere dealer for optimum bucket and attachment selections. These recommendations are for general conditions and average use. Does not include optional equipment such as thumbs or couplers. Larger buckets may be possible when using light materials, for flat and level operations, less compacted materials, and volume loading applications such as mass-excavation applications in ideal conditions. Smaller buckets are recommended for adverse conditions such as off-level applications, rocks, and uneven surfaces. Bucket capacity indicated is SAE heaped.



# 290G LC



Engine	290G LC		
	Base engine for use in U.S., U.S. Territories, and Canada	Optional engine for use outside the U.S. and U.S. Territories	Optional engine for use outside the U.S., U.S. Territories, and Canada
Manufacturer and Model	John Deere PowerTech™ PVX 6.8 L	John Deere PowerTech™ Plus 6.8 L	John Deere PowerTech™ 6.8 L
Non-Road Emission Standard	EPA Interim Tier 4/EU Stage IIIB	EPA Tier 3/EU Stage IIIA	EPA Tier 2/EPA Stage II
Net Rated Power (ISO 9249)	140 kW (188 hp) at 2,100 rpm	140 kW (188 hp) at 2,100 rpm	140 kW (188 hp) at 2,100 rpm
Cylinders	6	6	6
Displacement	6.8 L (415 cu. in.)	6.8 L (415 cu. in.)	6.8 L (415 cu. in.)
Off-Level Capacity	70% (35 deg.)	70% (35 deg.)	70% (35 deg.)
Aspiration	Turbocharged, air-to-air charge-air cooler	Turbocharged, air-to-air charge-air cooler	Turbocharged, air-to-air charge-air cooler
<b>Cooling</b>			
Cool-on-demand hydraulic-driven, suction-type fan with remote-mounted drive			
<b>Powertrain</b>			
2-speed propel with automatic shift			
<b>Maximum Travel Speed</b>			
Low	3.3 km/h (2.1 mph)		
High	5.5 km/h (3.4 mph)		
Drawbar Pull	25 100 kg (55,336 lb.)		
<b>Hydraulics</b>			
Open center, load sensing			
<b>Main Pumps</b>	2 variable-displacement pumps		
Maximum Rated Flow	236 L/m (62.3 gpm) x 2		
<b>Pilot Pump</b>	One gear		
Maximum Rated Flow	34 L/m (8.9 gpm)		
Pressure Setting	3900 kPa (566 psi)		
<b>System Operating Pressure</b>			
Circuits			
Implement	34 300 kPa (4,975 psi)		
Travel	35 000 kPa (5,076 psi)		
Swing	33 300 kPa (4,830 psi)		
Power Boost	38 000 kPa (5,511 psi)		
<b>Controls</b>	Pilot levers, short stroke, low-effort hydraulic pilot controls with shutoff lever		
<b>Cylinders</b>			
	<i>Bore</i>	<i>Rod Diameter</i>	<i>Stroke</i>
<b>Boom (2)</b>	135 mm (5.3 in.)	95 mm (3.7 in.)	1360 mm (53.5 in.)
<b>Arm (1)</b>	150 mm (5.9 in.)	105 mm (4.1 in.)	1659 mm (65.3 in.)
<b>Bucket (1)</b>	135 mm (5.3 in.)	90 mm (3.5 in.)	1070 mm (42.1 in.)
<b>Electrical</b>			
Number of Batteries (12 volt)	2		
Battery Capacity	1,400 CCA		
Alternator Rating	100 amp		
Work Lights	2 halogen (one mounted on boom, one on frame)		
<b>Undercarriage</b>			
<b>Rollers (each side)</b>			
Carrier	2		
Track	8		
Shoes, Triple Semi-Grousers (each side)	48		
<b>Track</b>			
Adjustment	Hydraulic		
Guides	Center		
Chain	Sealed and lubricated		





**Ground Pressure** **290G LC**

800-mm (32 in.) Triple Semi-Grouser Shoes 41.6 kPa (6.04 psi)

**Swing Mechanism**

Speed 12.6 rpm

Torque 77 140 Nm (56,896 lb.-ft.)

**Serviceability**

**Refill Capacities**

Fuel Tank 500 L (132 gal.)

Cooling System 26.5 L (7 gal.)

Engine Oil with Filter 24.6 L (6.5 gal.)

Hydraulic Tank 147.6 L (39 gal.)

Hydraulic System 240 L (63 gal.)

Swing Drive 8.5 L (9 qt.)

**Gearbox**

Propel (each) 7.6 L (8 qt.)

Pump Drive 1.1 L (1.2 qt.)

**Operating Weights**

With full fuel tank; 79-kg (175 lb.) operator; 1.34-m<sup>3</sup> (1.75 cu. yd.), 1065-mm (42 in.), 1034-kg (2,280 lb.) bucket; 3.75-m (12 ft. 4 in.) arm; 5812-kg (12,813 lb.) counterweight; and 800-mm (32 in.) triple semi-grouser shoes

Operating Weight 30 090 kg (66,338 lb.)

**Component Weights**

Undercarriage with 800-mm (32 in.) Triple Semi-Grouser Shoes 11 765 kg (25,937 lb.)

One-Piece Boom (with arm cylinder) 2307 kg (5,086 lb.)

Arm with Bucket Cylinder and Linkage

3.11 m (10 ft. 2 in.) 1407 kg (3,102 lb.)

3.75 m (12 ft. 4 in.) 1497 kg (3,301 lb.)

Boom-Lift Cylinders (2), Total Weight 494 kg (1,089 lb.)

1.34-m<sup>3</sup> (1.75 cu. yd.), 1065-mm (42 in.) 1034 kg (2,280 lb.)

Heavy-Duty High-Capacity Bucket

Counterweight, Standard 5812 kg (12,813 lb.)

**Operating Dimensions**

**Arm Length** 3.11 m (10 ft. 2 in.) 3.75 m (12 ft. 4 in.)

**Arm Digging Force**

SAE 137.9 kN (30,992 lb.) 121.3 kN (27,277 lb.)

ISO 144.0 kN (32,372 lb.) 127.0 kN (28,551 lb.)

**Bucket Digging Force**

SAE 175.0 kN (39,352 lb.) 175.0 kN (39,352 lb.)

ISO 203.0 kN (45,636 lb.) 203.0 kN (45,636 lb.)

Lifting Capacity Over Front at Ground Level 6.1-m (20 ft.) Reach (with power boost)

10 188 kg (22,461 lb.) 9777 kg (21,554 lb.)

**A** Maximum Reach 10.71 m (35 ft. 2 in.) 11.27 m (37 ft. 0 in.)

**A<sup>1</sup>** Maximum Reach at Ground Level 10.52 m (34 ft. 6 in.) 11.10 m (36 ft. 5 in.)

**B** Maximum Digging Depth 7.23 m (23 ft. 9 in.) 7.88 m (25 ft. 10 in.)

**B<sup>1</sup>** Maximum Digging Depth at 2.44-m (8 ft. 0 in.) Flat Bottom 7.05 m (23 ft. 2 in.) 7.72 m (25 ft. 4 in.)

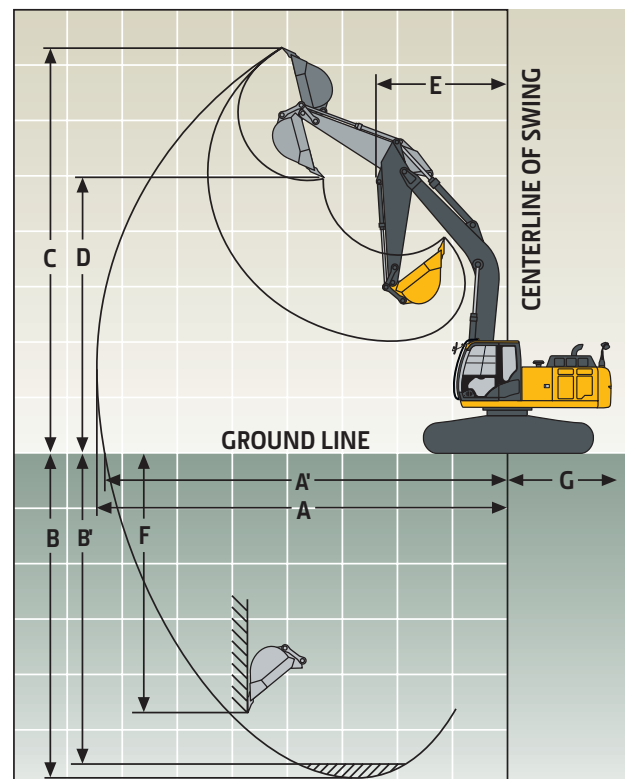
**C** Maximum Cutting Height 10.26 m (33 ft. 8 in.) 10.46 m (34 ft. 4 in.)

**D** Maximum Dumping Height 7.31 m (24 ft. 0 in.) 7.52 m (24 ft. 8 in.)

**E** Minimum Swing Radius 3.91 m (12 ft. 10 in.) 3.90 m (12 ft. 10 in.)

**F** Maximum Vertical Wall 6.48 m (21 ft. 3 in.) 7.05 m (23 ft. 2 in.)

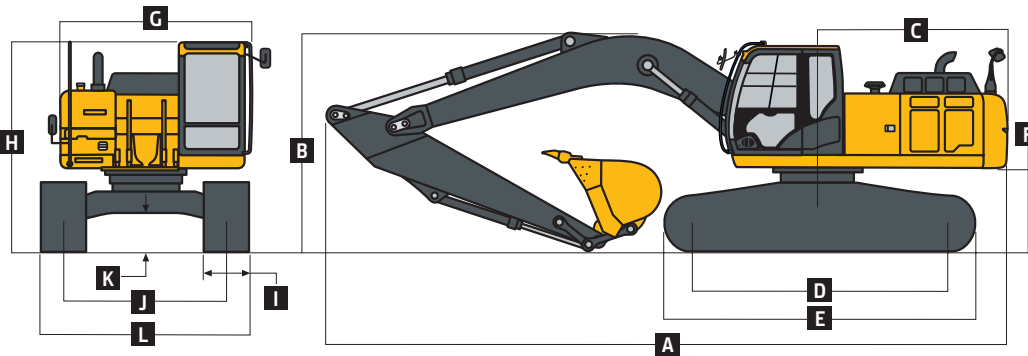
**G** Tail-Swing Radius 3.14 m (10 ft. 4 in.) 3.14 m (10 ft. 4 in.)





## Machine Dimensions 290G LC

<b>A</b> Overall Length	3.11 m (10 ft. 2 in.)	10.54 m (34 ft. 7 in.)
	3.75 m (12 ft. 4 in.)	10.59 m (34 ft. 9 in.)
<b>B</b> Overall Height	3.11 m (10 ft. 2 in.)	3.17 m (10 ft. 5 in.)
	3.75 m (12 ft. 4 in.)	3.31 m (10 ft. 10 in.)
<b>C</b> Rear-End Length/Swing Radius		3.14 m (10 ft. 4 in.)
<b>D</b> Distance Between Idler/Sprocket Centerline		4.05 m (13 ft. 3 in.)
<b>E</b> Undercarriage Length		4.94 m (16 ft. 2 in.)
<b>F</b> Counterweight Clearance		1.18 m (3 ft. 10 in.)
<b>G</b> Upperstructure Width		2.89 m (9 ft. 6 in.)
<b>H</b> Cab Height		3.11 m (10 ft. 2 in.)
<b>I</b> Track Width with Triple Semi-Grouser Shoes		800 mm (32 in.)
<b>J</b> Gauge Width		2.59 m (8 ft. 6 in.)
<b>K</b> Ground Clearance		0.51 m (20 in.)
<b>L</b> Overall Width with 800-mm (32 in.) Triple Semi-Grouser Shoes		3.39 m (11 ft. 3 in.)



## Lift Capacities

**Boldface type** indicates hydraulically limited capacity; **lightface type** indicates stability-limited capacities, in kg (lb.). Ratings at bucket lift hook; machine equipped with 930-kg (2,050 lb.) bucket and 800-mm (32 in.) shoes; standard gauge; and situated on firm, uniform supporting surface. Total load includes weight of cables, hook, etc. Figures do not exceed 87 percent of hydraulic capacities or 75 percent of weight needed to tip machine. All lift capacities are based on ISO 10567.

Load Point Height	1.5 m (5 ft.)		3.0 m (10 ft.)		4.5 m (15 ft.)		6.0 m (20 ft.)		7.5 m (25 ft.)		9.0 m (30 ft.)	
Horizontal Distance from Centerline of Rotation	Over Front	Over Side	Over Front	Over Side	Over Front	Over Side	Over Front	Over Side	Over Front	Over Side	Over Front	Over Side
<i>With 3.11-m (10 ft. 2 in.) arm</i>												
6.0 m (20 ft.)							<b>5607</b>	<b>5607</b>	<b>5543</b>	<b>5104</b>		
							(12,235)	(12,235)	(12,217)	(10,924)		
4.5 m (15 ft.)					<b>8080</b>	<b>8080</b>	<b>6681</b>	<b>6681</b>	<b>6011</b>	<b>4992</b>		
					(17,332)	(17,332)	(14,472)	(14,472)	(13,120)	(10,714)		
3.0 m (10 ft.)					<b>11 031</b>	<b>10 874</b>	<b>8082</b>	<b>6920</b>	<b>6737</b>	<b>4810</b>		
					(23,653)	(23,449)	(17,465)	(14,907)	(14,643)	(10,337)		
1.5 m (5 ft.)					<b>13 516</b>	<b>10 146</b>	<b>9432</b>	<b>6551</b>	<b>7489</b>	<b>4618</b>		
					(29,105)	(21,856)	(20,388)	(14,108)	(16,252)	(9,931)		
Ground Line					<b>14 734</b>	<b>9808</b>	<b>10 378</b>	<b>6305</b>	<b>7605</b>	<b>4473</b>		
					(31,860)	(21,093)	(22,461)	(13,571)	(16,351)	(9,620)		
-1.5 m (-5 ft.)	<b>5847</b>	<b>5847</b>	<b>9276</b>	<b>9276</b>	<b>14 900</b>	<b>9730</b>	<b>10 752</b>	<b>6200</b>	<b>7533</b>	<b>4409</b>		
	(13,118)	(13,118)	(21,093)	(21,093)	(32,277)	(20,911)	(23,171)	(13,343)	(16,204)	(9,488)		
-3.0 m (-10 ft.)	<b>10 936</b>	<b>10 936</b>	<b>15 478</b>	<b>15 478</b>	<b>14 200</b>	<b>9816</b>	<b>10 428</b>	<b>6228</b>				
	(24,567)	(24,567)	(35,216)	(35,216)	(30,733)	(21,101)	(22,524)	(13,411)				
-4.5 m (-15 ft.)			<b>17 555</b>	<b>17 555</b>	<b>12 366</b>	<b>10 068</b>	<b>8917</b>	<b>6425</b>				
			(37,798)	(37,798)	(26,562)	(21,670)	(18,906)	(13,880)				



## Lift Capacities (continued) 290G LC

**Boldface type** indicates hydraulically limited capacity; lightface type indicates stability-limited capacities, in kg (lb.). Ratings at bucket lift hook; machine equipped with 930-kg (2,050 lb.) bucket and 800-mm (32 in.) shoes; standard gauge; and situated on firm, uniform supporting surface. Total load includes weight of cables, hook, etc. Figures do not exceed 87 percent of hydraulic capacities or 75 percent of weight needed to tip machine. All lift capacities are based on ISO 10567.

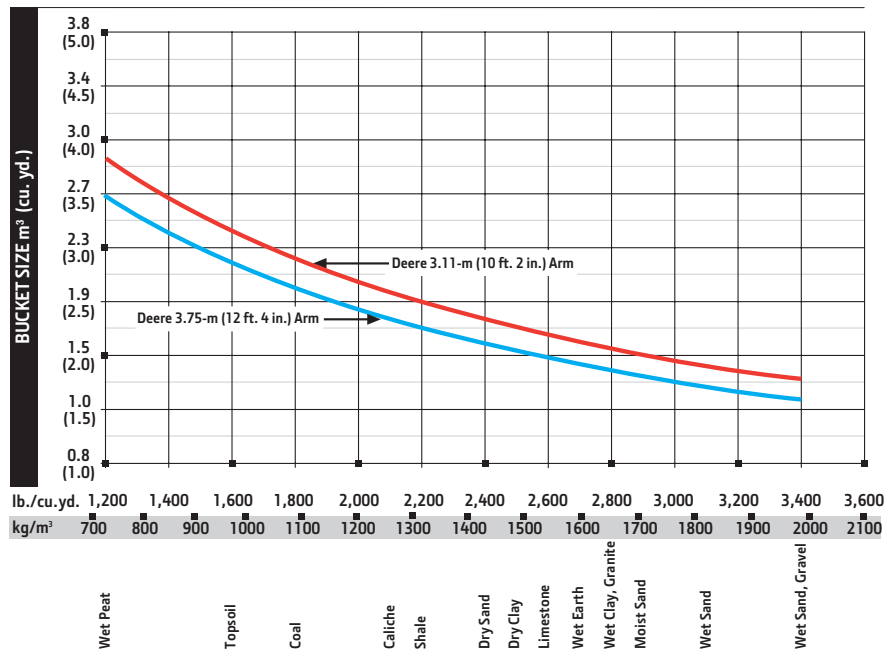
Load Point Height	1.5 m (5 ft.)		3.0 m (10 ft.)		4.5 m (15 ft.)		6.0 m (20 ft.)		7.5 m (25 ft.)		9.0 m (30 ft.)			
Horizontal Distance from Centerline of Rotation	Over Front	Over Side	Over Front	Over Side	Over Front	Over Side	Over Front	Over Side	Over Front	Over Side	Over Front	Over Side		
With 3.75-m (12 ft. 4 in.) arm 6.0 m (20 ft.)									4840 (10,650)	4840 (10,650)				
4.5 m (15 ft.)							5848 (12,677)	5848 (12,677)	5397 (11,777)	5076 (10,897)	4555 (8,804)	3591 (7,667)		
3.0 m (10 ft.)					9647 (20,700)	9647 (20,700)	9647 (20,700)	9647 (20,700)	7312 (15,807)	7054 (15,189)	6195 (13,465)	5616 (11,915)	3502 (7,495)	
1.5 m (5 ft.)					12 454 (26,816)	10 359 (22,310)	10 359 (22,310)	10 359 (22,310)	8800 (19,025)	6637 (14,290)	7042 (15,284)	6469 (9,995)	5761 (12,367)	3395 (7,274)
Ground Line			5560 (12,750)	5560 (12,750)	14 199 (30,686)	9862 (21,211)	9862 (21,211)	9862 (21,211)	9959 (21,554)	6329 (13,620)	7607 (16,350)	4468 (9,606)	5662 (12,165)	3304 (7,088)
-1.5 m (-5 ft.)	5556 (12,430)	5556 (12,430)	8978 (20,367)	8978 (20,367)	14 843 (32,139)	9672 (20,787)	9672 (20,787)	9672 (20,787)	10 591 (22,935)	6164 (13,261)	7489 (16,101)	4363 (9,382)		
-3.0 m (-10 ft.)	9347 (20,976)	9347 (20,976)	13 520 (30,688)	13 520 (30,688)	14 578 (31,555)	9683 (20,810)	9683 (20,810)	9683 (20,810)	10 594 (22,911)	6135 (13,203)	7479 (16,093)	4354 (9,375)		
-4.5 m (-15 ft.)	13 921 (31,383)	13 921 (31,383)	19 464 (41,978)	19 464 (41,978)	13 317 (28,694)	9859 (21,207)	9859 (21,207)	9859 (21,207)	9723 (20,862)	6247 (13,467)				
-6.0 m (-20 ft.)					10 296 (21,623)	10 264 (21,623)	10 264 (21,623)	10 264 (21,623)						

## Buckets

A full line of buckets is offered to meet a wide variety of applications. Digging forces are with power boost. Tooth selection includes the John Deere Fanggs™ Standard, Tiger, Twin Tiger, Abrasion panel, or Flare tooth. Replaceable cutting edges and a variety of teeth are available through John Deere Parts. Optional side cutters add 150 mm (6 in.) to bucket widths. Capacities are SAE heaped ratings.

Type Bucket	Bucket Width		Bucket Capacity		Bucket Weight		Bucket Dig Force		Arm Dig Force 2.96 m (9 ft. 9 in.)		Arm Dig Force 3.61 m (11 ft. 10 in.)		Bucket Tip Radius		Number of Teeth
	mm	in.	m <sup>3</sup>	cu. yd.	kg	lb.	kN	lb.	kN	lb.	kN	lb.	mm	in.	
Heavy Duty	1067	42	1.06	1.38	997	2,197	193.7	43,548	142.5	32,034	124.9	28,077	1435	56.5	5
Heavy Duty	1219	48	1.22	1.60	1071	2,361	193.7	43,548	142.5	32,034	124.9	28,077	1435	56.5	6
Heavy Duty	1372	54	1.39	1.82	1138	2,509	193.7	43,548	142.5	32,034	124.9	28,077	1435	56.5	6
Heavy Duty High Capacity	610	24	0.70	0.92	801	1,767	167.4	37,636	124.7	28,044	108.9	24,477	1588	62.5	3
Heavy Duty High Capacity	760	30	0.92	1.20	913	2,012	175.0	39,352	137.9	30,992	121.3	27,277	1588	62.5	4
Heavy Duty High Capacity	914	36	1.13	1.48	968	2,135	175.0	39,352	137.9	30,992	121.3	27,277	1588	62.5	4
Heavy Duty High Capacity	1065	42	1.34	1.75	1035	2,281	175.0	39,352	137.9	30,992	121.3	27,277	1588	62.5	5
Heavy Duty High Capacity	1220	48	1.55	2.00	1137	2,507	175.0	39,352	137.9	30,992	121.3	27,277	1588	62.5	6
Ditching	1525	60	3.00	3.90	709	1,563	232.8	52,338	150.5	33,835	131.0	29,445	1194	47.0	0

## Bucket Selection Guide\*



\*Contact your John Deere dealer for optimum bucket and attachment selections. These recommendations are for general conditions and average use. Does not include optional equipment such as thumbs or couplers. Larger buckets may be possible when using light materials, for flat and level operations, less compacted materials, and volume loading applications such as mass-excavation applications in ideal conditions. Smaller buckets are recommended for adverse conditions such as off-level applications, rocks, and uneven surfaces. Bucket capacity indicated is SAE heaped.

# Additional equipment

Key: ● Standard ▲ Optional or special

See your John Deere dealer for further information.

## 250G 290G Engine

- ● Auto-idle system
- ● Automatic belt-tension device
- ● Batteries (2 – 12 volt)
- ● Coolant recovery tank
- ● Dual-element dry-type air filter
- ● Electronic engine control
- ● Enclosed fan guard (conforms to SAE J1308)
- ● Engine coolant to –37 deg. C (–34 deg. F)
- ● Programmable auto shutdown
- ● Fuel filter with water separator
- ● Full-flow oil filter
- ● Turbocharger with charge air cooler
- ● Cool-on-demand hydraulic-driven fan
- ● Glow-plug start aid
- ● 500-hour engine-oil-change interval
- ● 70% (35 deg.) off-level capability
- ● Engine-oil-sampling valve
- ▲ ▲ Hydraulic fan reverser
- ▲ ▲ Chrome exhaust stack
- ▲ ▲ Engine coolant heater
- ▲ ▲ Severe-duty fuel filter

## Hydraulic System

- ● Reduced-drift valve for boom down, arm in
- ● Auxiliary hydraulic valve section
- ● Spring-applied, hydraulically released automatic swing brake
- ● Auxiliary hydraulic-flow adjustments through monitor
- ● Auto power lift
- ● 5,000-hour hydraulic-oil-change interval
- ● Hydraulic-oil-sampling valve
- ▲ ▲ Auxiliary hydraulic lines
- ▲ ▲ Auxiliary pilot and electric controls
- ▲ ▲ Hydraulic filter restriction indicator kit
- ▲ ▲ Load-lowering control / Anti-drift device
- ▲ ▲ Single-pedal propel control
- ▲ ▲ Control pattern change valve

## Undercarriage

- ● Planetary drive with axial piston motors
- ● Propel motor shields
- ● Spring-applied, hydraulically released automatic propel brake
- ● Track guides, front idler and center
- ● 2-speed propel with automatic shift
- ● Upper carrier rollers (2)
- ● Sealed and lubricated track chain
- ▲ ▲ Triple semi-grouser shoes, 700 mm (28 in.)
- ▲ ● Triple semi-grouser shoes, 800 mm (32 in.)

## 250G 290G Upperstructure

- ● Right-hand, left-hand, and counterweight mirrors
- ● Vandal locks with ignition key: Cab door / Service doors / Toolbox
- ● Debris screen in side panel
- ● Remote-mounted engine oil and fuel filters

## Front Attachments

- ● Centralized lubrication system
- ● Dirt seals on all bucket pins
- ● Less boom and arm
- ● Oil-impregnated bushings
- ● Reinforced resin thrust plates
- ● Tungsten carbide thermal coating on arm-to-bucket joint
- ▲ Arm, 2.96 m (9 ft. 9 in.)
- ▲ Arm, 3.11 m (10 ft. 2 in.)
- ▲ Arm, 3.61 m (11 ft. 10 in.)
- ▲ Arm, 3.75 m (12 ft. 4 in.)
- ▲ ▲ Attachment quick-couplers
- ▲ ▲ Boom cylinder with plumbing to main-frame for less boom and arm
- ▲ ▲ Buckets: Heavy duty / Heavy-duty high capacity / Side cutters and teeth
- ▲ ▲ “D” channel guard
- ▲ ▲ Material clamps
- ▲ ▲ Super-long fronts

## Operator's Station

- ● Adjustable independent-control positions (levers-to-seat, seat-to-pedals)
- ● AM/FM radio
- ● Auto climate control/air conditioner/heater/pressurizer
- ● Built-in Operator's Manual storage compartment and manual
- ● Cell-phone power outlet, 12 volt, 60 watt, 5 amp
- ● Coat hook
- ● Deluxe suspension cloth seat with 100-mm (4 in.) adjustable armrests
- ● Floor mat
- ● Front windshield wiper with intermittent speeds
- ● Gauges (illuminated): Engine coolant / Fuel
- ● Horn, electric
- ● Hourmeter, electric
- ● Hydraulic shutoff lever, all controls
- ● Hydraulic warm-up control
- ● Interior light
- ● Large cup holder

## 250G 290G Operator's Station (continued)

- ● Machine Information Center (MIC)
- ● Mode selectors (illuminated): Power modes – 3 / Travel modes – 2 with automatic shift / Work mode – one
- ● Multifunction, color LCD monitor with: Diagnostic capability / Multiple-language capabilities / Maintenance tracking / Clock / System monitoring with alarm features: Auto-idle indicator, engine air cleaner restriction indicator light, engine check, engine coolant temperature indicator light with audible alarm, engine oil pressure indicator light with audible alarm, low-alternator-charge indicator light, low-fuel indicator light, fault code alert indicator, fuel-rate display, wiper-mode indicator, work-lights-on indicator, and work-mode indicator
- ● Motion alarm with cancel switch (conforms to SAE J994)
- ● Power-boost switch on right console lever
- ● Auxiliary hydraulic control switches in right console lever
- ● Propel pedals and levers
- ● SAE 2-lever control pattern
- ● Seat belt, 51 mm (2 in.), retractable
- ● Tinted glass
- ● Transparent tinted overhead hatch
- ● Hot/cold beverage compartment
- ▲ ▲ Air-suspension heated seat
- ▲ ▲ 24- to 12-volt D.C. radio converters, 10 amp
- ▲ ▲ Hydraulic oil filter restriction indicator light
- ▲ ▲ Protection screens for cab front, rear, and side
- ▲ ▲ Seat belt, 76 mm (3 in.), non-retractable
- ▲ ▲ Window vandal-protection covers

## Electrical

- ● 100-amp alternator
- ● Blade-type multi-fused circuits
- ● Positive-terminal battery covers
- ● JDLink™ Ultimate wireless communication system (available in specific countries; see your dealer for details)
- ▲ ▲ Rearview camera
- ▲ ▲ Cab extension wiring harness

## Lights

- ● Work lights: Halogen / One mounted on boom / One mounted on frame
- ▲ ▲ 2 lights mounted on cab / One mounted on right side of boom

Net engine power is with standard equipment including air cleaner, exhaust system, alternator, and cooling fan, at test conditions specified per ISO 9249. No derating is required up to 3050-m (10,000 ft.) altitude. Specifications and design subject to change without notice. Wherever applicable, specifications are in accordance with SAE standards. Except where otherwise noted, these specifications are based on units with 1065-mm (42 in.) bucket, 800-mm (32 in.) triple semi-grouser shoes, full fuel tank, and 79-kg (175 lb.) operator; 250G LC unit with 5112-kg (11,270 lb.) counterweight; and 290G LC unit with 5812-kg (12,813 lb.) counterweight.

