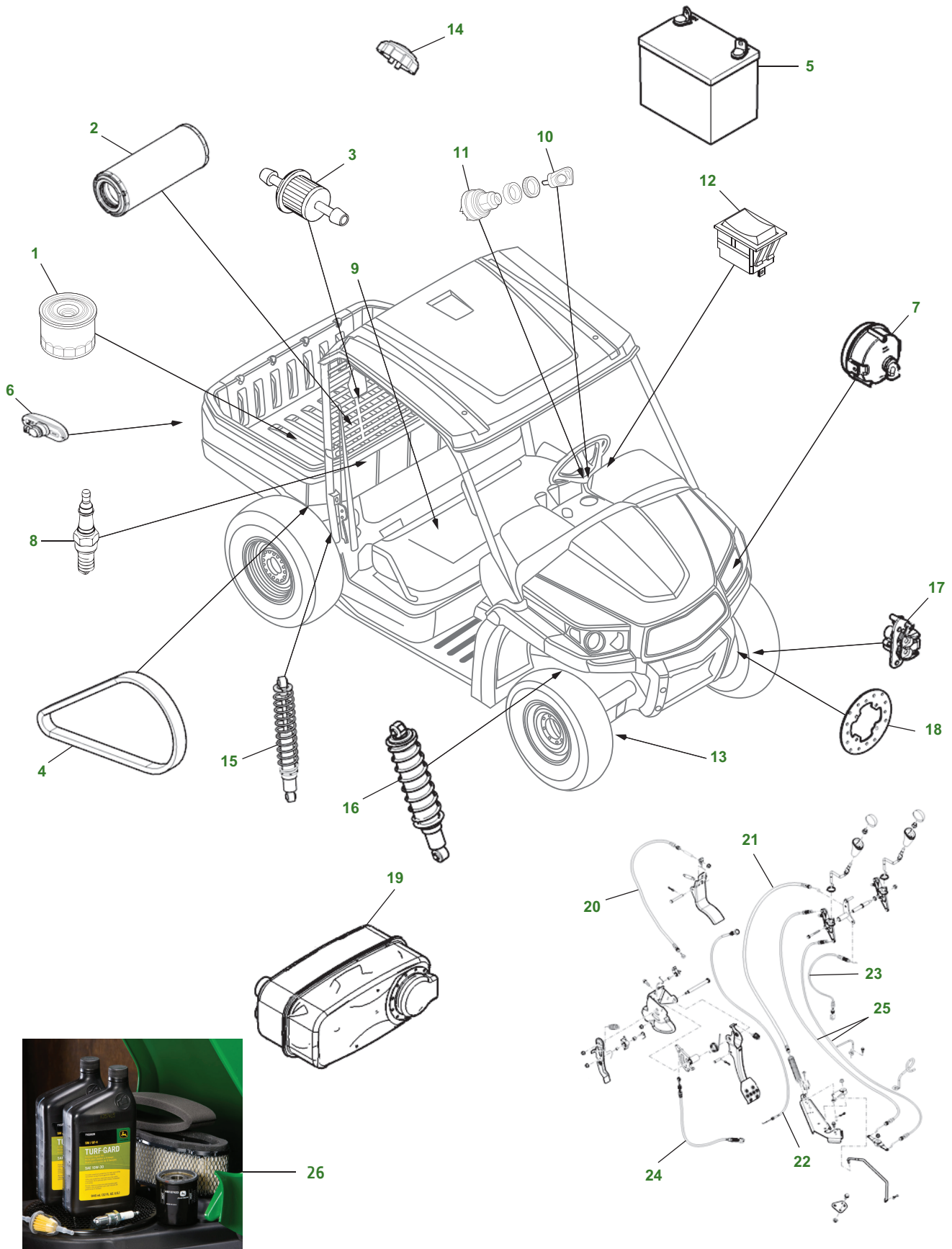


# Gator 550 XUV / 550 S4 XUV (Green & Yellow, Olive & Black)



## Gator 550 XUV / 550 S4 XUV (Green &amp; Yellow, Olive &amp; Black)

Key	Part No.	Description	Key	Part No.....	Description
1	<a href="#">AM125424</a>	OIL FILTER	15	<a href="#">AM147658</a>	SHOCK-REAR- XUV
2	<a href="#">M170281</a>	AIR FILTER ELEMENT		<a href="#">AM147660</a>	SHOCK-REAR - XUV S4
3	<a href="#">AM116304</a>	FUEL FILTER - IN LINE	16	<a href="#">AM147657</a>	SHOCK-FRONT - XUV
4	<a href="#">M176720</a>	BELT - CVT INLET		<a href="#">AM147659</a>	SHOCK-FRONT- XUV S4
5	<a href="#">TY25221</a>	DRY CHARGED	17	<a href="#">AM142477</a>	BRAKE KIT - PAD RH (S/N -040000) Front RH
6	<a href="#">AM140754</a>	STOP LIGHT		<a href="#">AM142479</a>	BRAKE KIT - PAD LH (S/N -040000) Front LH
7	<a href="#">AM141893</a>	HEADLIGHT		<a href="#">AM142486</a>	BRAKE KIT - PAD LH (S/N -040000) Rear RH & LH
8	<a href="#">MIU13325</a>	SPARK PLUG		<a href="#">AM148144</a>	BRAKE KIT - PAD LH (S/N 040000-) Front RH & LH
9	<a href="#">AM147576</a>	SEAT BACK - YELLOW		<a href="#">AM148145</a>	BRAKE KIT - PAD LH (S/N 040000-) Rear RH & LH
	<a href="#">AM140354</a>	SEAT BENCH - YELLOW (S/N -050000)	18	<a href="#">M161534</a>	ROTOR (S/N -040000)
	<a href="#">AM147575</a>	SEAT BENCH - YELLOW (S/N 050001-)		<a href="#">M166762</a>	ROTOR (S/N 040001-)
	<a href="#">AM147577</a>	SEAT BACK - BLACK	19	<a href="#">AM141174</a>	SPARK ARRESTING MUFFLER
	<a href="#">AM140516</a>	SEAT BENCH -BLACK (S/N -050000)	20	<a href="#">AM138587</a>	CABLE - THROTTLE XUV
	<a href="#">AM147574</a>	SEAT BENCH -BLACK (S/N 050001-)		<a href="#">AM140216</a>	CABLE - THROTTLE XUV S4
10	<a href="#">AUC12681</a>	KEY (S/N -050000)	21	<a href="#">AM141423</a>	CABLE - MFWD, XUV
	<a href="#">TCA24616</a>	KEY (S/N 050001-)		<a href="#">AM140215</a>	CABLE - MFWD, XUV S4
11	<a href="#">TCA22740</a>	IGNITION SWITCH (S/N - 050000)	22	<a href="#">AM145120</a>	CABLE - CHOKE CONTROL
	<a href="#">AUC15805</a>	IGNITION SWITCH (S/N 050001-)		<a href="#">AM145121</a>	CABLE - CHOKE CONTROL XUV S4
12	<a href="#">AM117324</a>	ROCKER SWITCH - HEADLIGHT, (S/N -050000)	23	<a href="#">AM141861</a>	CABLE - PARK/DIFFERENTIAL LOCK
	<a href="#">AM147340</a>	ROCKER SWITCH - LOW BEAM, (S/N 050001-)	24	<a href="#">AM145185</a>	CABLE - PARK BRAKE
13	<a href="#">M178227</a>	TIRE - FRONT — 25 X 8-12 in	25	<a href="#">AM148260</a>	CABLE - GEARSHIFT
	<a href="#">M178228</a>	TIRE - REAR - TH — 25 X 10-12 in	26	<a href="#">LG273</a>	HOME MAINTENANCE KIT
14	<a href="#">AM142833</a>	FILLER CAP			

## Parts Needed in First 250 Hours of Operation

Qty	Part No.	Item	Capacity	Interval In Hours
3	<a href="#">AM125424</a>	Engine Oil Filter		8/100/200
5	<a href="#">TY22029</a>	JD TURF-GARD™ 4 10W30 Engine Oil	1.4 L (1.5 qt)	8/100/200
1	<a href="#">M170281</a>	Air Filter		200
1	<a href="#">AM116304</a>	Fuel Filter		200
2	<a href="#">MIU13325</a>	Spark Plugs		200
3	<a href="#">TY6341</a>	Multi-Purpose SD Polyurea Grease		As Needed

## Frequently Used Items

Qty	Part No.	Item
1	<a href="#">M170281</a>	Air Cleaner
1	<a href="#">AM116304</a>	Fuel Filter
2	<a href="#">MIU13325</a>	Spark Plug
1	<a href="#">M176720</a>	Belt - CVT Inlet
1	<a href="#">AUC12681</a>	Key (S/N -050000)
1	<a href="#">TCA24616</a>	Key (S/N 050001-)
1	<a href="#">AM142833</a>	Filler Cap
1	<a href="#">TY26183</a>	Grease Gun