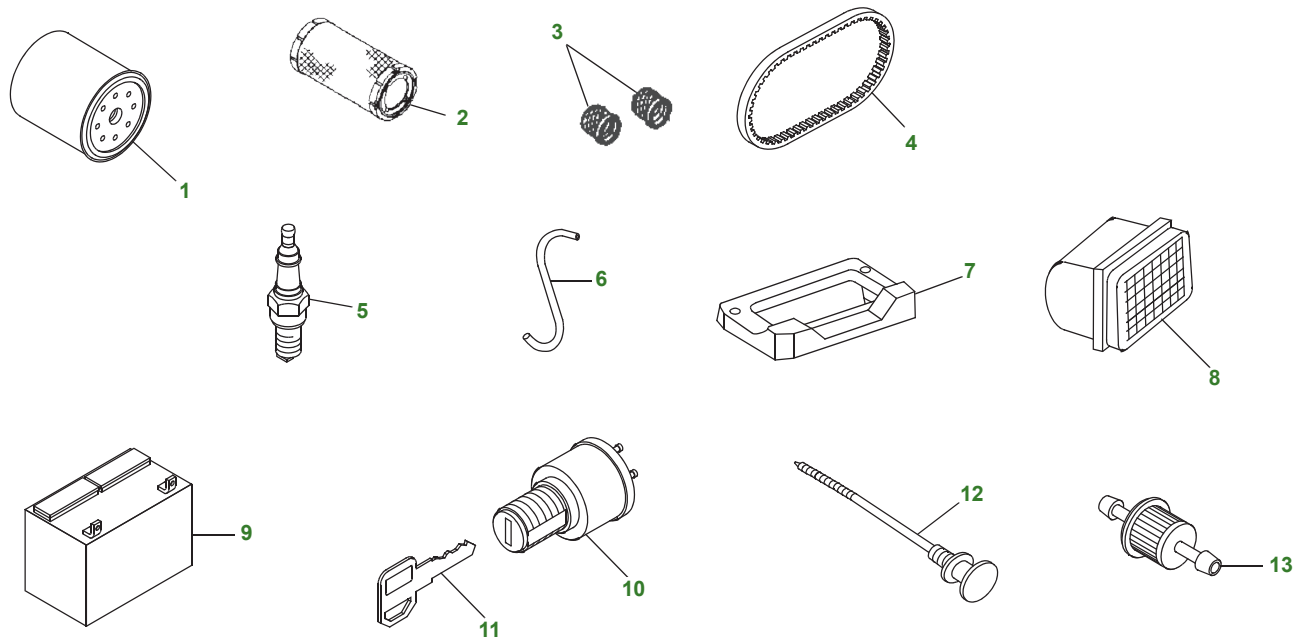


1200A Bunker and Field Rake

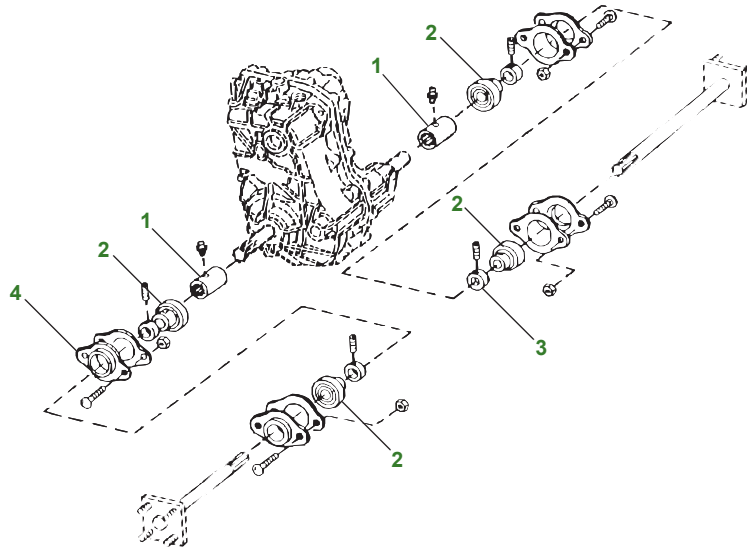


Key	Part No.	Description	Key	Part No.	Description
1	AM107423	ENGINE OIL FILTER	7	M76053	COVER - BATTERY
2	M113621	ENGINE AIR FILTER	8	AW27203	HEADLIGHT ASSY (S/N -190000)
	M123378	ENGINE AIR FILTER - PRIMARY		TCA21751	HEADLIGHT ASSY (S/N 190001-)
3	AW26476	HYDRAULIC OIL FILTER		RE30948	BULB
4	RE28721	V-BELT - SECONDARY DRIVEN SHEAVE (S/N - 110078)	9	TY25220	BATTERY (S/N -190000)
	TCU27885	V- BELT - SECONDARY DRIVEN SHEAVE (S/N 110079 - 230000)		TY25221	BATTERY (S/N 190001-)
	UC17580	V- BELT - SECONDARY DRIVEN SHEAVE (S/N 230001 -)	10	TCA22740	SWITCH - IGNITION
5	M802138	SPARK PLUG	11	AM131841	KEY
6	TY22551	FUEL LINE	12	AM129722	CHOKE CABLE
			13	AM116304	FUEL FILTER

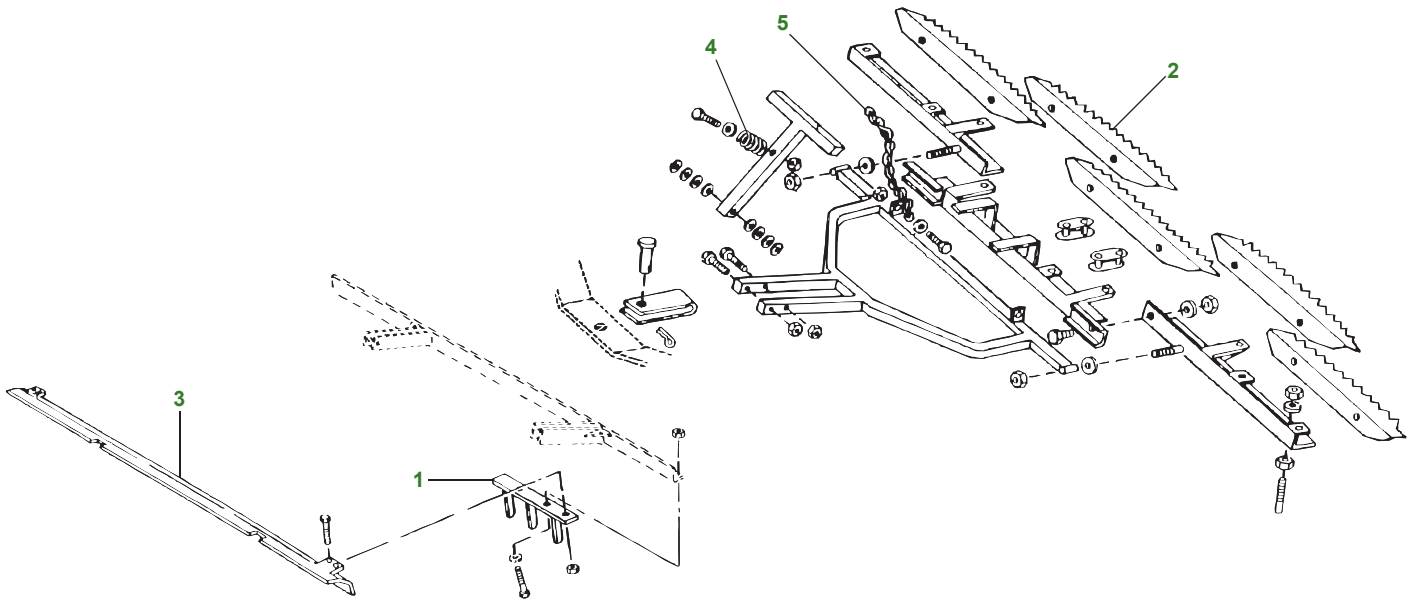
Parts Needed in First 200 hours of Operation

Qty	Part No.	Item	Capacity	Interval In Hours
3	AM107423	Engine Oil Filter		10/100/200
5	TY22029	TURF-GARD™ 10W-30 Engine Oil	1.3 L (1.4 qt)	10/100/200
3	TY6341	John Deere Multi-Purpose SD Polyurea Grease		As Needed
1	M802138	Spark Plug		200
1	M113621 M123378	Engine Air Filter Engine Air Filter - Primary		200

1200A Bunker and Field Rake (Continued)



Key	Part No.	Description	Key	Part No.	Description
1	ET15277ADAPTOR	3	JD8554LOCKING COLLAR
2	JD8665BALL BEARING	4	M66125FLANGED HOUSING



Key	Part No.	Description	Key	Part No.	Description
1	AET10644SCARIFIER TINE - NARROW INTERVAL	3	AET10756BLADE
	AET10702SCARIFIER TINE - WIDE INTERVAL	4	ET15634COMPRESSION SPRING
2	TCU17594BLADE - BUNKER RAKE SERRATED	5	ET15855LINK CHAIN
	ET15235BLADE - FIELD RAKE SMOOTH			