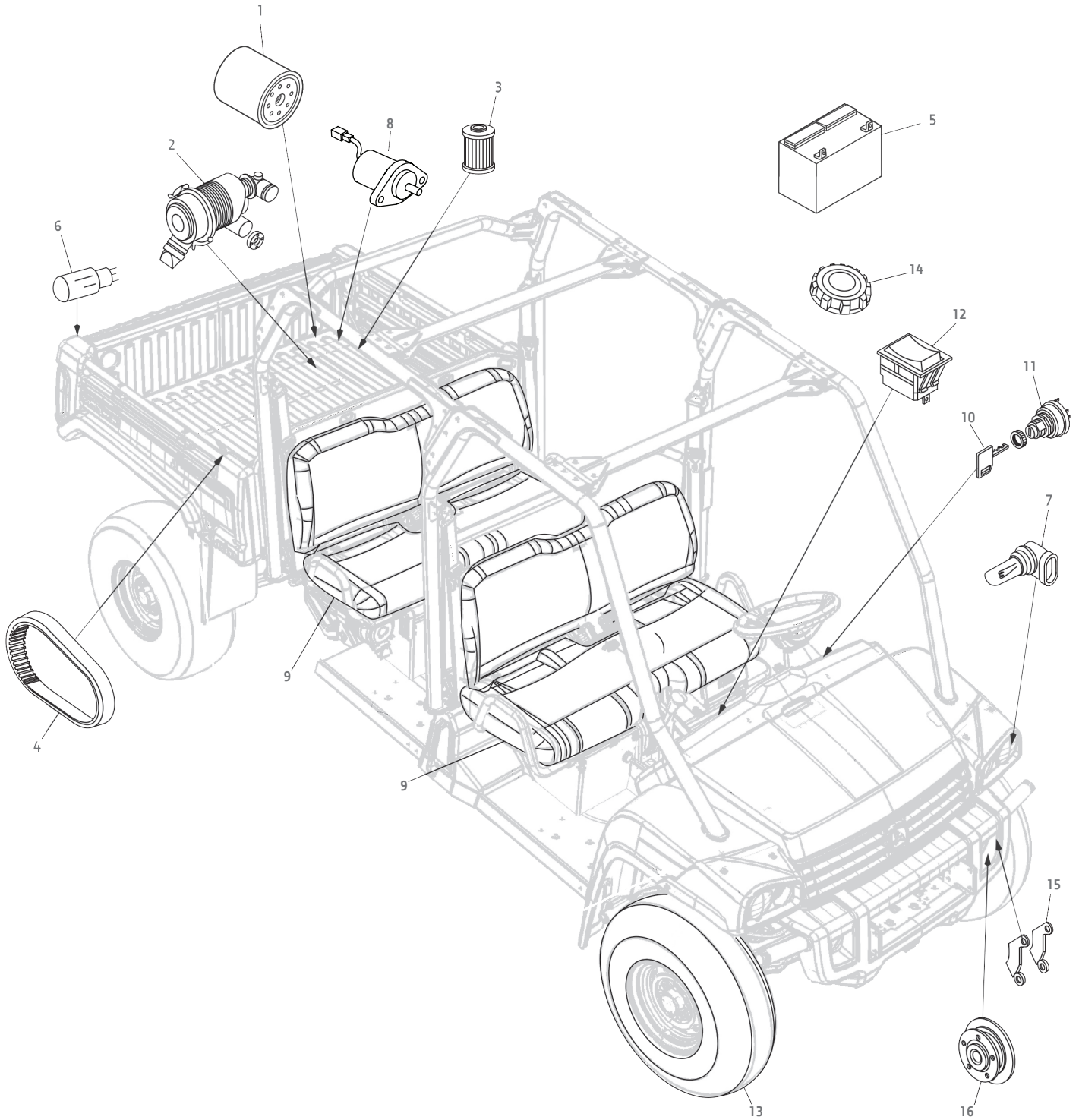


Gator XUV855M S4 4X4 (Camo, Green & Yellow, Olive & Black)



Gator XUV855M S4 4X4 (Camo, Green & Yellow, Olive & Black)

Key	Part No.	Description	Key	Part No.	Description
1	M806418	OIL FILTER	9	AM142362	SEAT - REAR BACK - YELLOW
2	M113621	AIR FILTER ELEMENT - PRIMARY		AM142364	SEAT - REAR BACK - BLACK
	M123378	AIR FILTER ELEMENT - SECONDARY		AM142363	SEAT - REAR BOTTOM - YELLOW
3	M801101	FUEL FILTER ELEMENT		AM142365	SEAT - REAR BOTTOM - BLACK
4	M174096	BELT - DRIVE	10	AUC12681	KEY
	MIU800679	BELT - FAN	11	AUC12631	IGNITION SWITCH
5	TY25881	BATTERY	12	AM147340	ROCKER SWITCH - HEADLIGHT
6	R133302	BULB - BRAKE LIGHT	13	M177842	TIRE - FRONT — 26 X 9-12 in
7	AM144882	BULB - HEADLIGHT		M177843	TIRE - REAR — 26 X 11-12 in
8	M806808	FUEL SHUTOFF SOLENOID		M177844	TIRE - REAR — 27 X 9-14 in
9	AM138194	SEAT - YELLOW — 21"		M177845	TIRE - REAR — 27 X 11-14 in
	AM138195	SEAT - BLACK — 21"	14	AM146278	FILLER CAP
	AM144196	SEAT - HIGH BACK SPORT -BLACK	15	AM140607	BRAKE KIT - FRONT - INCLUDES 4 PADS
	AM140623	SEAT - FRONT BENCH - YELLOW		AM141182	BRAKE KIT - REAR - INCLUDES 4 PADS
	AM140945	SEAT - FRONT BENCH - BLACK	16	AM142949	ROTOR
	AM140624	SEAT - FRONT BOTTOM - YELLOW	17	LG260	HOME MAINTENANCE KITS
	AM140946	SEAT - FRONT BOTTOM - BLACK			

Parts Needed in First 250 Hours of Operation

Qty	Part No.	Item	Capacity	Interval In Hours
1	M806418	Engine Oil Filter		200
2	TY26674	John Deere PLUS-50™ II 15W-40	1.7 L (1.8 qt)	200
3	TY24416	Multi-Purpose HD Lithium Complex Grease		As Needed
1	M801101	Fuel Filter		200

Capacities

Crankcase (with filter)	1.7 L (1.8 qt)
4WD Front Differential	0.58 L (0.61 qt)
Transaxle	4 L (4.2 qt)
Cooling System (including recovery tank)	5.5 L (5.8 qt)