

# Funk™

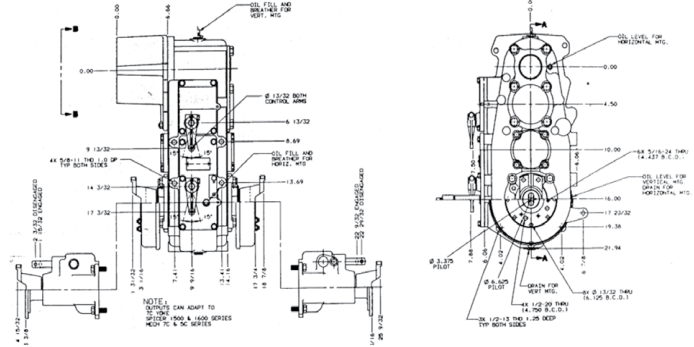
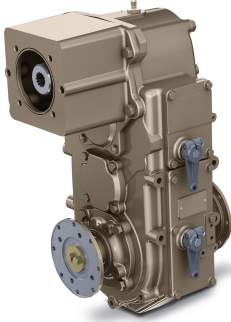
## 33000 HMD Transmission

Industrial Drivetrain Specifications



**JOHN DEERE**

### Dimensions



### Ratings

Input power (max)	101 kW (135 hp)
Input torque (max)	407 Nm (300 lb-ft)
Input no load speed (max)	2400 rpm

### General data

Motor adapters	SAE C and D
Approximate dry weight	132 kg (290 lb)
Oil Capacity	2.2 L (2 qt) 4.4 L (4 qt) with disconnect
Oil Type	MIL-L-2105-C or API classification GL-5
Speeds	4
Configuration	Drop 381 mm (15 in)
Shift options:	Hydraulic, Mechanical

### Gear ratio (spur-type gears, sliding collar shift)

Low	2nd	3rd	High
7.95:1	3.85:1	2.52:1	1.22:1

### Splines

Input	SAE 14-tooth 12/24 DP SAE 13-tooth 8/16 DP
Parking brake	Drum-type
Output fittings	Adapts to Spicer series 1500 and 1600 Mechanics 7C U-joining flange yoke
Applications	Dozing machines, motor graders, railway vehicles, sweepers, pavers, and virtually any equipment requiring controlled travel speed.

### Features and benefits

#### Controlled ground speed at full engine power

- Available to use with applications up to 149 kW (200 hp)
- 2400 rpm max input, no load speed

#### Multiple gear ratios in four-speed versions

- Covers low-speed working range through high-gear travel speeds
- Wide speed variance in each gear range

#### Selection of SAE hydraulic input motor mountings

- SAE C and D mounts to utilize input hydraulics to best fit the application

#### John Deere Power Systems

3801 W. Ridgeway Ave.  
PO Box 5100  
Waterloo, IA 50704-5100  
Phone: 800.553.6446  
Fax: 319.292.5075

*All values at rated speed and power with standard options unless otherwise noted.  
Specifications and design subject to change without notice.*