

1050 P

Dozer



JOHN DEERE





IN A CLASS ALL ITS OWN

When we reimagined one of our most popular production-class dozers, we thought about the rough and downright rugged jobsites it was built to handle. Then we talked to customers like you who work in those conditions every day. You need to move mountains of material, efficiently and cost effectively. And especially today, you need to attract and retain capable operators. Meet the 1050 P-Tier, the leader of our dozer lineup that's powerful enough to rip through rock and handle hard applications, versatile enough to take on everything from site development and roadbuilding to quarry and mining work, yet refined enough to elevate the overall operator experience.

1050 P-TIER DOZER



Good vibrations

Suspended double-bogie undercarriage is designed to reduce peak vibrations in the operator station by up to 75 percent over earlier models, minimizing breakdowns and wear caused by harsh impacts in rocky environments, smoothing the ride over troublesome terrain, and boosting productivity.

Blade basics

The largest in its size class, standard 168-inch semi-U blade increases productivity by moving more material pass after pass. Wider blade also assists in reducing excess wear in abrasive conditions by pushing material further away from the push beams compared to previous blades.

Engine essentials

The 1050 P-Tier has been upgraded to the new JD14 (13.6L) engine. Featuring improved durability and reduced fuel consumption compared to previous models, this engine eliminates the need for a diesel particulate filter (DPF) while meeting emission regulations. The cooling package has changed from stacked to single-plane, side-by-side coolers, enabling greater efficiency and easier access for cleaning.

Work like you mean it

Fully enclosed cab including air conditioner/ heater with directional vents keeps the glass clear and the interior comfortable. Updated primary display supports customized presets of hydraulic and transmission settings, allowing operators to conveniently tailor preferred machine response. Deluxe suspension high-back seat is angled at 15 degrees for a clear view of the rear ripper and adjusts seven ways when you want to move. Low-effort controls, ergonomically correct joystick, and integrated forward-neutral-reverse (F-N-R) switch deliver intuitive command of machine functions.

Take the long view

Larger front window and lowered hood optimize overall forward visibility. Tilt and pitch cylinders (if equipped) have been inverted to provide even more visibility to the blade corners while also maximizing cylinder-seal life. New tag-link design brings the blade closer to the front of the dozer, improving machine balance and stability and enhancing operator sightlines compared to previous models.

Dynamic dual-tilt

New dual-tilt feature allows the operator to change blade pitch on the fly to adapt to ground conditions and material types. Up to three blade-pitch positions can also be preset by the operator to optimize efficiency in repetitive mass-earthmoving applications.

Let 'er rip

Heavy-ripping single-shank ripper delivers concentrated force to break up rock, hard-packed or frozen soil, and concrete. Get in and dig deep with an overall beam width of only 4 feet 8 inches and maximum penetration of 3 feet 7 inches. Our multi-shank ripper with hydraulic-pitch adjustment is ideal for breaking top surfaces and in various ground conditions. Multi-shank ripper width of 7 feet 2 inches lets you cut a wider swath and cover more ground in fewer passes than with a single-shank or narrower-width ripper.

Maintenance matters

New top hood panel enables diesel exhaust fluid (DEF) injector access. Mainframe side sheet and bottom belly pans plus easy-to-use integrated final-drive flushing system simplify service. Large hinged doors bring dipsticks, fill tubes, maintenance-free batteries, and vertical filters within easy reach. Operator station tilts a full 70 degrees in only minutes, for wide-open access to drivetrain components.

The power of one

Both Extended Life and Heavy-Duty undercarriages with sealed and lubricated track (SALT) feature a no-nonsense oval-track design with only one wear-causing forward-travel flex point, for longer life. Heavy-Duty undercarriage uses hardened steel pins and bushings, while Extended-Life bushing has hardened SC-2™ coating that slows wear. Extended Life undercarriage can extend life up to 50 percent over standard undercarriage. One-piece welded mainframe resists torsional stress, absorbs shock loads, and delivers maximum strength while allowing handy service access to major components.



**PRESET OR PUSH-BUTTON
BLADE-PITCH POSITIONS
EASE OPERATOR EFFORT**



1050 P-TIER DOZER



Strong and secure

Hydraulic hoses have been rerouted and reinforced with SecuRing™ connections. High-pressure hydrostatic circuits have been eliminated to minimize messy and costly leaks.

Waste not, want not

If taking out trash is on the agenda, a purpose-built waste-handler package with choice of multiple blade options is available. Stockpiling package including large 32-cubic-yard blade is available to help master wood chips and stacking applications. Additional factory-installed seals and guarding, a high-debris radiator, and a deluxe 10 LED worklight package that can help boost productivity are some of the heavy-duty features of both waste-handler and stockpiling packages. Ask your dealer about other available configurations designed to meet your particular application.

Connected machines

John Deere construction equipment comes with in-base connectivity — free from subscriptions or annual renewals. Analyze critical machine data, track utilization, review diagnostic alerts, and more from **the John Deere Operations Center™**. The Operations Center also enables **John Deere Connected Support™**, which uses data from thousands of connected machines to proactively address issues before they arise. Your dealer can also remotely monitor machine health, diagnose problems, and even update machine software without a trip to the jobsite.*

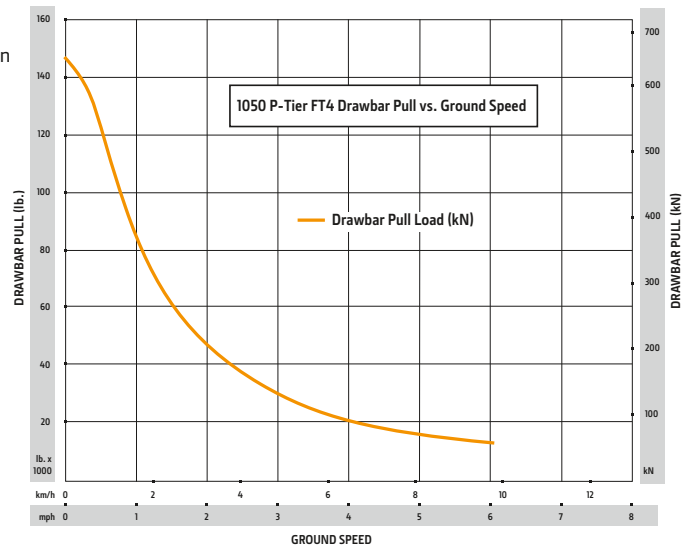
*Availability varies by region and product. Options not available in every country.



1050 P-TIER DOZER SPECIFICATIONS

While general information, pictures, and descriptions are provided, some illustrations and text may include product options and accessories NOT AVAILABLE in all regions, and in some countries products and accessories may require modifications or additions to ensure compliance with the local regulations of those countries.

Engine		1050 P-TIER OUTSIDE DOZER (OSD)	
Blade Type	<i>Semi-U / U</i>	<i>Semi-U / U</i>	
Manufacturer and Model	John Deere JD14	John Deere JD14	
Non-Road Emission Standard	EPA Final Tier 4 (FT4)/EU Stage IV	EPA Tier 2/EU Stage II	
Displacement	13.6L (827 cu. in.)	13.6L (827 cu. in.)	
SAE Net Rated Power	264 kW (354 hp) at 1,700 rpm	264 kW (354 hp) at 1,700 rpm	
Net Peak Torque	1576 Nm (1,162 lb.-ft.) at 1,300 rpm	1576 Nm (1,162 lb.-ft.) at 1,300 rpm	
Aspiration	Turbocharged and air-to-air aftercooled	Turbocharged and air-to-air aftercooled	
Air Cleaner	Dual-element dry canister with external rotary ejector precleaner	Dual-element dry canister with external rotary ejector precleaner	
Cooling			
	<i>EPA FT4/EU Stage IV / EPA Tier 2/EU Stage II</i>		
Type	Variable-speed suction fan with automatic reversing		
Engine Coolant Rating	-37 deg. C (-34 deg. F)		
Engine Radiator	6.3 fins per in.		
Powertrain			
Transmission	Automatic, dual-path, hydrostatic (HST) drive; load-sensing feature automatically adjusts speed and power to match changing load conditions; each individually controlled track is powered by a variable-displacement piston pump and motor combination; ground-speed selection buttons on single-lever steering and direction control; reverse speed ratio is fully operator customizable; decelerator pedal provides infinite speed control from full speed to complete stop		
System Relief Pressure	44 200 kPa (6,411 psi)		
Travel Speeds — Forward and Reverse / Maximum (optional)	11 km/h (6.8 mph)		
Steering	Single-lever steering, speed, direction control, and counter-rotation; full power turns and infinitely variable track speeds provide unlimited maneuverability and optimum control; HST steering eliminates steering clutches and brakes		
Final Drives	Triple-reduction, dual-planetary final drives mounted independently of track frames and dozer push frames for isolation from shock loads		
Total Ratio	51.337		
Drawbar Pull			
Maximum	570 kN (128,000 lb.)		
At 1.9 km/h (1.2 mph)	329 kN (74,000 lb.)		
At 3.2 km/h (2.0 mph)	209 kN (47,000 lb.)		
Brakes			
Service	HST (dynamic) braking stops machine whenever the direction/steering control lever is moved to neutral or the decelerator is depressed to the detent		
Parking	Exclusive safety feature engages wet, multiple-disc brakes whenever the engine stops, the decelerator is depressed to the end of travel, or motion is detected while the transmission control is in neutral; machine cannot be driven with brake applied, minimizing wearout; spring-applied, hydraulic release		
Hydraulics			
Type	Load-sensing electrohydraulic (EH) system with variable-displacement piston pump		
Pump Displacement	150 cc		
System Relief Pressure	24 993 kPa (3,625 psi)		
Differential Pressure	1896 kPa (275 psi)		
Maximum Flow at Unloaded High Idle	303 L/m (80 gpm)		
Control	2-function EH T-bar joystick		
Electrical			
Voltage	24 volts		
Capacity			
Battery	950 CCA		
Reserve	190 min.		
Alternator Rating	130 amp		
Lights	Cylinder mounted (2), rear-mounted cab (2), roof-mounted forward facing (2), engine compartment (1), and rear reflectors (2)		



1050 P-TIER DOZER SPECIFICATIONS

1050

P

While general information, pictures, and descriptions are provided, some illustrations and text may include product options and accessories NOT AVAILABLE in all regions, and in some countries products and accessories may require modifications or additions to ensure compliance with the local regulations of those countries.

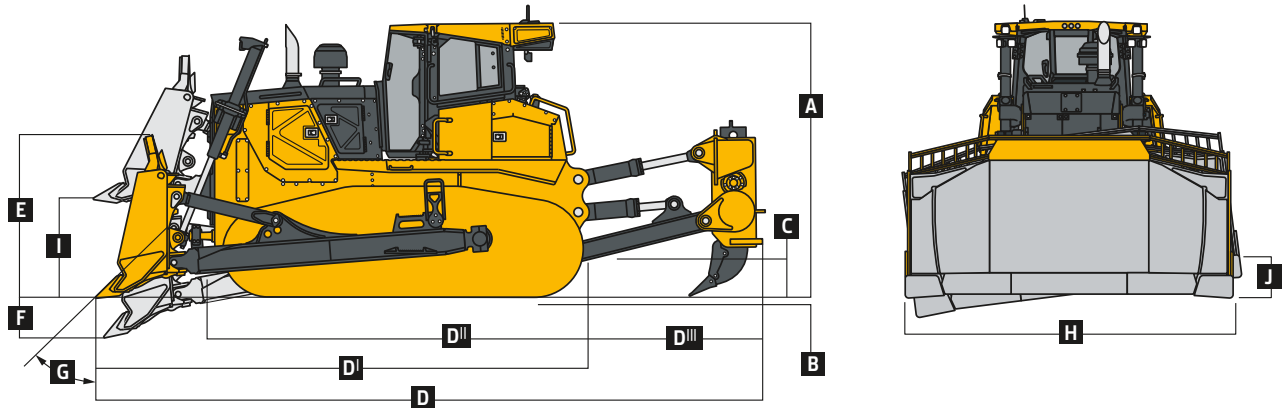
Undercarriage		
1050 P-TIER OSD		
	Semi-U	U
Tracks	Track frame includes suspended double-bogie undercarriage design with sealed track-adjuster cavity, front and rear track guides, and sprocket guard; John Deere Dura-Trax™ features deep-heat-treated, sealed, and lubricated track links and through-hardened, sealed, and lubricated rollers for maximum wear resistance; sprockets are segmented; track shoes are extreme duty; pipelayer, waste-handler, and stockpile models have a fixed-roller undercarriage	
Track Gauge	2184.4 mm (86 in.)	2184.4 mm (86 in.)
Grouser Width	610 mm (24 in.)	610 mm (24 in.)
Chain	Sealed and lubricated	Sealed and lubricated
Shoes, Each Side	46	46
Track Rollers, Each Side	8	8
Track Length on Ground	3419 mm (134.6 in.)	3419 mm (134.6 in.)
Ground Contact Area (ISO 16754)	46 498 cm ² (7,207 sq. in.)	46 498 cm ² (7,207 sq. in.)
Ground Pressure (ISO 16754)	90 kPa (13.0 psi)	91 kPa (13.1 psi)
Track Pitch	215.9 mm (8.5 in.)	215.9 mm (8.5 in.)
Operator Station		
Semi-U / U		
ROPS (ISO 3471 – 2008) and FOPS (ISO 3449 – 2005)		
Serviceability		
Refill Capacities	EPA FT4/EU Stage IV	EPA Tier 2/EU Stage II
Fuel Tank With Lockable Cap	681 L (180 gal.)	681 L (180 gal.)
Diesel Exhaust Fluid (DEF) Tank	22.9 L (6.1 gal.)	—
Cooling System With Recovery Tank	73.5 L (19.4 gal.)	73.5 L (19.4 gal.)
Engine Oil With Filter	43.5 L (11.5 gal.)	43.5 L (11.5 gal.)
Reservoir With Filter (oil volume of tank only)		
Transmission	149 L (39.44 gal.)	149 L (39.44 gal.)
Hydraulic	87 L (23 gal.)	87 L (23 gal.)
Operating Weights		
Blade Type	Semi-U	U
Base Weight (includes standard equipment, blade, rollover protective structure [ROPS], single-shank ripper, 610-mm [24 in.] track shoes, full fuel tank, and 79-kg [175 lb.] operator)	42 640 kg (94,000 lb.)	42 900 kg (94,580 lb.)
Optional Components		
Front and Door Screens	63 kg (139 lb.)	63 kg (139 lb.)
Rear Screen	36 kg (80 lb.)	36 kg (80 lb.)
Side Screens	41 kg (90 lb.)	41 kg (90 lb.)
Condenser Guard	19 kg (42 lb.)	19 kg (42 lb.)
Limb Risers	946 kg (2,086 lb.)	946 kg (2,086 lb.)
Rear Counterweight	2232 kg (4,921 lb.)	2232 kg (4,921 lb.)
Retrieval Hitch (standard drawbar on counterweight)	65 kg (143 lb.)	65 kg (143 lb.)
Winch (includes 3-roller fairlead)	1905 kg (4,200 lb.)	1905 kg (4,200 lb.)
Mounting Plate	905 kg (1,995 lb.)	905 kg (1,995 lb.)
Blade Trash Rack and Wear Plate	944 kg (2,081 lb.)	933 kg (2,057 lb.)
Blade Rock Rack and Wear Plate	738 kg (1,627 lb.)	732 kg (1,614 lb.)
Blade Push Plate	325 kg (718 lb.)	—
Non-Suspended Undercarriage	-2208 kg (-4,868 lb.)	-2208 kg (-4,868 lb.)
Rear Striker Bars With Storage Box	-1806 kg (-3,982 lb.)	-1806 kg (-3,982 lb.)
Heavy-Duty (HD) Fenders	203 kg (448 lb.)	203 kg (448 lb.)
Final-Drive Trash Guards	66 kg (146 lb.)	203 kg (449 lb.)
Heating, Ventilating, and Air-Conditioning (HVAC)-Powered Precleaner	20 kg (44 lb.)	20 kg (44 lb.)
Track Shoes		
610 mm (24 in.) Extreme Duty	In base	In base
610 mm (24 in.) Trapezoidal	-110 kg (-242 lb.)	-110 kg (-242 lb.)
660 mm (26 in.) Extreme Duty	244 kg (538 lb.)	244 kg (538 lb.)
660 mm (26 in.) Trapezoidal	136 kg (300 lb.)	136 kg (300 lb.)
710 mm (28 in.) Extreme Duty	497 kg (1,096 lb.)	497 kg (1,096 lb.)
710 mm (28 in.) Trapezoidal	388 kg (855 lb.)	388 kg (855 lb.)

1050 P-TIER

While general information, pictures, and descriptions are provided, some illustrations and text may include product options and accessories NOT AVAILABLE in all regions, and in some countries products and accessories may require modifications or additions to ensure compliance with the local regulations of those countries.

Machine Dimensions		1050 P-TIER OUTSIDE DOZER (OSD)		
Blade Type	Semi-U	U	Mechanical Angle	
A Overall Height to Roof (includes antenna base and grouser height)	3589 mm (11 ft. 5 in.)	3589 mm (11 ft. 5 in.)	3589 mm (11 ft. 5 in.)	
B Tread Depth With Single-Bar Grouser, Extreme Duty or Trapezoidal	85 mm (3.3 in.)	85 mm (3.3 in.)	85 mm (3.3 in.)	
C Ground Clearance in Dirt	537 mm (21 in.)	537 mm (21 in.)	537 mm (21 in.)	
D Overall Length With Blade and Ripper	8386 mm (329 in. / 27 ft. 5 in.)	8689 mm (342 in. / 28 ft. 6 in.)	8798 mm (346 in. / 28 ft. 10 in.)	
D^I Overall Length With Blade	6218 mm (245 in. / 20 ft. 5 in.)	6539 mm (257 in. / 21 ft. 5 in.)	6697 mm (264 in. / 22 ft. 0 in.)	
D^{II} Overall Length Without Ripper and Blade	5052 mm (199 in. / 16 ft. 7 in.)	5052 mm (199 in. / 16 ft. 7 in.)	—	
D^{III} Overall Length With Ripper (no blade)	7202 mm (284 in. / 23 ft. 8 in.)	7202 mm (284 in. / 23 ft. 8 in.)	—	
Overall Length With Winch and Fairlead Rollers	7278 mm (287 in. / 23 ft. 11 in.)	7599 mm (299 in. / 24 ft. 11 in.)	7757 mm (305 in. / 25 ft. 5 in.)	
Overall Length With Drawbar	—	—	6989 mm (275 in. / 22 ft. 11 in.)	
E Blade Lift Height	1233 mm (49 in. / 4 ft. 1 in.)	1233 mm (49 in. / 4 ft. 1 in.)	1294 mm (51 in. / 4 ft. 3 in.)	
F Blade Digging Depth	516 mm (20 in.)	516 mm (20 in.)	780 mm (31 in.)	
G Blade Cutting-Edge Angle				
Standard	53.5 to 59.5 deg.	53.5 to 59.5 deg.	58.5 deg.	
Dual Tilt	52.0 to 61.0 deg.	52.0 to 61.0 deg.	—	
H Blade Width				
Standard End Bits	4242 mm (167 in. / 13 ft. 11 in.)	4087 mm (161 in. / 13 ft. 5 in.)	5139 mm (202 in. / 16 ft. 10 in.)	
Optional Finishing or Heavy	4362 mm (172 in. / 14 ft. 4 in.)	—	—	
I Blade Height	1872 mm (74 in. / 6 ft. 2 in.)	1903 mm (75 in. / 6 ft. 3 in.)	1390 mm (55 in. / 4 ft. 7 in.)	
Blade Angle	—	—	25 deg.	
SAE Capacity	11.2 m ³ (14.6 cu. yd.)	11.4 m ³ (14.9 cu. yd.)	6.9 m ³ (9.0 cu. yd.)	
With Optional Trash Rack	—	21.7 m ³ (28.4 cu. yd.)	—	
Blade Weight	3651 kg (8,049 lb.)	3929 kg (8,662 lb.)	3874 kg (8,541 lb.)	
With Optional Trash Rack	—	4623 kg (10,192 lb.)	—	
Assembly Weight (without blade)				
Push Beam	2246 kg (4,952 lb.)	2246 kg (4,952 lb.)	—	
C-Frame	—	—	2846 kg (6,274 lb.)	
Overall Width With Blade Angled	—	—	4666 mm (184 in. / 15 ft. 4 in.)	
J Blade Tilt	832 mm (33 in.)	780 mm (31 in.)	747 mm (29 in.)	
Cut Reach	—	—	582 mm (23 in.)	
Width Over Track	2895 mm (114 in. / 9 ft. 6 in.)*	2895 mm (114 in. / 9 ft. 6 in.)	2895 mm (114 in. / 9 ft. 6 in.)	
Cast Reach	—	—	1191 mm (47 in. / 3 ft. 11 in.)	
Width Over Trunnions	3408 mm (134 in. / 11 ft. 2 in.)	3408 mm (134 in. / 11 ft. 2 in.)	3408 mm (134 in. / 11 ft. 2 in.)	

*No trunnions.

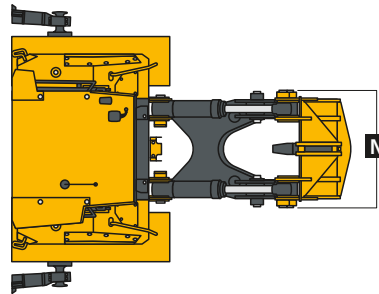
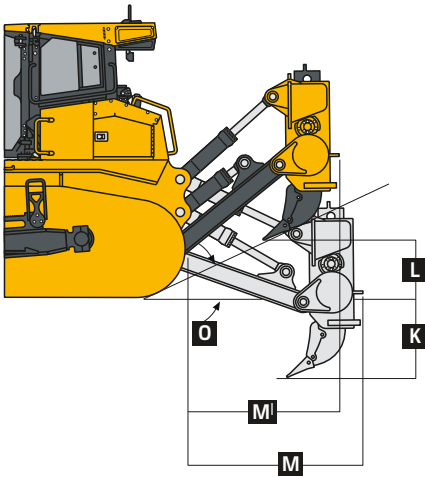


1050 P-TIER DOZER WITH OUTSIDE DOZER (OSD) BLADE

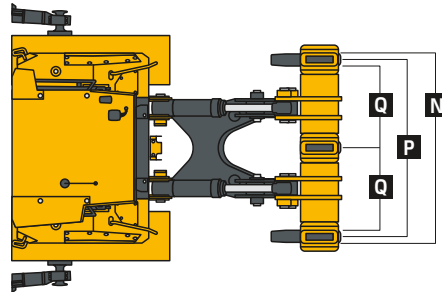
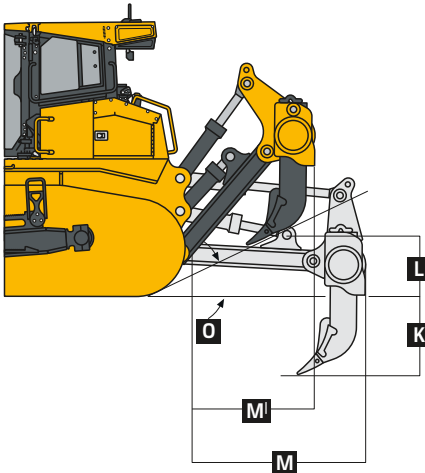
While general information, pictures, and descriptions are provided, some illustrations and text may include product options and accessories NOT AVAILABLE in all regions, and in some countries products and accessories may require modifications or additions to ensure compliance with the local regulations of those countries.

1050 P-TIER

Rear Ripper	1050 P-TIER OSD	
Blade Type	Semi-U / U	
Ripper Type	Single Shank	Multi Shank
Weight	3793 kg (8,362 lb.)	4586 kg (10,110 lb.)
K Maximum Penetration	1102 mm (43 in. / 3 ft. 7 in.)	780 mm (31 in.)
L Maximum Clearance Under Tip	727 mm (29 in.)	689 mm (27 in.)
M Added Length, Lowered (transport) Position	2260 mm (89 in. / 7 ft. 5 in.)	2116 mm (84 in. / 7 ft. 0 in.)
M^I Added Length, Raised Position	1880 mm (74 in. / 6 ft. 2 in.)	1745 mm (69 in. / 5 ft. 9 in.)
N Overall Beam Width	1418 mm (56 in. / 4 ft. 8 in.)	2527 mm (100 in. / 8 ft. 4 in.)
O Slope Angle (full raise)	26 deg.	25 deg.
P Ripping Width	—	2184 mm (86 in. / 7 ft. 2 in.)
Q Distance Between Shanks	—	1092 mm (43 in. / 3 ft. 7 in.)



1050 P-TIER DOZER WITH SINGLE-SHANK REAR RIPPER



1050 P-TIER DOZER WITH MULTI-SHANK REAR RIPPER

Additional equipment

Key: ● Standard ▲ Optional or special

See your John Deere dealer for further information.

1050 P Engine

- Meets EPA Final Tier 4/EU Stage IV emissions
 - JD14 (13.6 L) engine
 - Wet-sleeve cylinder liners
 - Eco mode
 - Exhaust stack, black
 - ▲ Exhaust stack, chrome
 - Electronic control with automatic engine protection
 - Turbocharged and air-to-air after-cooled
 - Exhaust filter, under hood, with vertical stack
 - Dual-element dry canister with external rotary ejector precleaner
 - Programmable auto engine shutdown
 - Automatic turbo cool-down timer
 - Remote-mounted fuel filters with automatic electronic priming
 - ▲ Severe-duty fuel lines and fittings
 - ▲ Engine coolant heater, 120 volt
 - ▲ Automatic ether start aid
 - 130-amp alternator
- ### Cooling
- Engine coolant rated -37 deg. C (-34 deg. F)
 - Hydraulically driven cooling fan, variable-speed suction type
 - Automatic, programmable reversing fan

1050 P Cooling (continued)

- Engine radiator, 6.3 fins per inch
 - Perforated engine side shields
- ### Powertrain
- Dual-path hydrostatic (HST) transmission
 - Selectable reverse-speed ratios (100%, 115%, and 130% presets)
 - Operator-selectable decelerator function (hydrostats and engine or hydrostats only)
 - Single-lever steering with counter-rotate function
 - Full power turns with infinitely variable track speed
 - HST (dynamic) service brakes
 - Wet, multi-disc parking brake
 - Vented dedicated transmission reservoir and filtration system separate from hydraulic system
- ### Hydraulics
- Load-sense electrohydraulic (EH) system with variable-displacement piston pump
 - ▲ 2-spool EH control valve for outside dozer (OSD)
 - ▲ 3-spool EH control valve for OSD with single auxiliary
 - ▲ 4-spool EH control valve for OSD with dual auxiliary

1050 P Hydraulics (continued)

- ▲ 5-spool EH control valve for OSD with triple auxiliary
 - Grade-control-ready EH hydraulics
 - Hydrau™ All-Season Hydraulic Oil, -25 deg. C to 50 deg. C (-13 deg. F to 122 deg. F)
 - ▲ Hydrau™ XR Hydraulic Oil, -40 deg. C to 40 deg. C (-40 deg. F to 104 deg. F); includes artic-hose package for external plumbing
 - Vented dedicated hydraulic reservoir and filtration system separate from transmission system
 - ▲ Power pitch for OSD
 - ▲ Hydraulic-winch-ready kit
- ### Undercarriage
- Suspended double-bogie undercarriage design
 - ▲ Heavy-duty fixed-roller undercarriage design (pipelayer, waste-handler, and stockpile configurations)
 - Sealed track adjuster cavity
 - Extreme-duty shoes, 610 mm (24 in.)
 - ▲ Extreme-duty shoes, 660 mm (26 in.)
 - ▲ Extreme-duty shoes, 710 mm (28 in.)
 - ▲ Extreme-duty shoes, trapezoidal, 610 mm (24 in.)
 - ▲ Extreme-duty shoes, trapezoidal, 660 mm (26 in.)

While general information, pictures, and descriptions are provided, some illustrations and text may include product options and accessories NOT AVAILABLE in all regions, and in some countries products and accessories may require modifications or additions to ensure compliance with the local regulations of those countries.

Net engine power is with standard equipment including air cleaner, exhaust system, alternator, and cooling fan at test conditions specified per ISO9249. No derating is required up to 3050-m (10,000 ft.) altitude. Specifications and design subject to change without notice. Wherever applicable, specifications are in accordance with SAE standards. Except where otherwise noted, these specifications are based on a unit with standard equipment, modular ROPS/cab, full fuel tank, and 79-kg (175 lb.) operator.

Additional equipment *(continued)*

Key: ● Standard ▲ Optional or special

See your John Deere dealer for further information.

1050 P Undercarriage *(continued)*

- ▲ Extreme-duty shoes, trapezoidal, 710 mm (28 in.)
- ▲ Sprocket segments with recesses
- ▲ Trash guard, final drive
- Heavy-Duty sealed and lubricated track (SALT) undercarriage
- ▲ Extended Life SALT undercarriage with SC-2™ bushings

Operator's Station

- Enclosed cab with air conditioner/heater
- High-visibility, bright-orange, retractable seat belt, 76 mm (3 in.) (conforms to SAE J386)
- Standard seat, fabric with heavy-duty air suspension
- ▲ Deluxe seat, heated with heavy-duty air suspension and leather bolstered
- AM/FM/Weather-Band (WB) radio with USB and auxiliary port
- ▲ Premium radio with Bluetooth, AM/FM/WB radio with USB and auxiliary port (CAB)
- ▲ HVAC-powered precleaner
- Tilt operator station service access
- 178-mm (7 in.) color, multi-language Primary Display Unit (PDU)
- Built-in diagnostics: Diagnostic-code details / Sensor values / Calibrations / Individual circuit tester

1050 P Operator's Station *(continued)*

- Backup alarm
- Batteries (4), 24 volts
- 12-volt accessory plug
- Keyless start with multiple security codes
- Lockable dash-mounted storage compartment

Overall Vehicle

- Environmental drain package
- Fluid-sample valves
- JDLink™ wireless machine communication system (available in specific countries; see your local dealer for details)
- ▲ Quick service ports (HST, hydraulic, and engine oil, and coolant)
- ▲ Fast-fuel system
- Halogen lights (6 total): cylinder mounted (2); rear cab mounted (2); and roof mounted, front facing (2)
- Reflectors, rear facing (2)
- ▲ LED lights: cylinder-mounted front (2) and cab-mounted front (2) and rear (2)
- ▲ Deluxe LED work lights: cylinder-mounted front (4) and cab-mounted front (2) and rear (4)
- Engine-compartment light
- ▲ Beacon light
- Lockable master electrical disconnect switch

1050 P Overall Vehicle *(continued)*

- ▲ Waste-handler package
 - ▲ Cab screens, full, side, and rear
 - ▲ Forestry limb risers (sweeps)
 - ▲ Stockpile package
- ## Attachments
- ▲ Less blade
 - ▲ U Blade, 3976 mm (157 in.)
 - ▲ Semi-U Blade, 4142 mm (163 in.)
 - ▲ Mechanical-Angle Blade, 5139 mm (202 in.)
 - ▲ Coal blade, 5493 mm (216 in.)
 - ▲ Waste-handler trash rack for Semi-U and U blades
 - ▲ Rock rack and wear skin
 - ▲ Push plate
 - ▲ Standard end bits and cutting edges
 - ▲ Heavy-duty end bits and cutting edges
 - Cast end bits and cutting edges
 - ▲ Ripper, multi-shank
 - ▲ Ripper, single shank
 - ▲ Ripper, single shank with hydraulic pin puller
 - ▲ Rear counterweight, 2232 kg (4,921 lb.)
 - ▲ Retrieval hitch
 - ▲ Winch-ready kit with mounting plate and rear screen
 - ▲ Rear storage compartment with strikers

While general information, pictures, and descriptions are provided, some illustrations and text may include product options and accessories NOT AVAILABLE in all regions, and in some countries products and accessories may require modifications or additions to ensure compliance with the local regulations of those countries.

Net engine power is with standard equipment including air cleaner, exhaust system, alternator, and cooling fan at test conditions specified per ISO9249. No derating is required up to 3050-m (10,000 ft.) altitude. Specifications and design subject to change without notice. Wherever applicable, specifications are in accordance with SAE standards. Except where otherwise noted, these specifications are based on a unit with standard equipment, modular ROPS/cab, full fuel tank, and 79-kg (175 lb.) operator.



MD1050PAU (24-02)



JOHN DEERE