

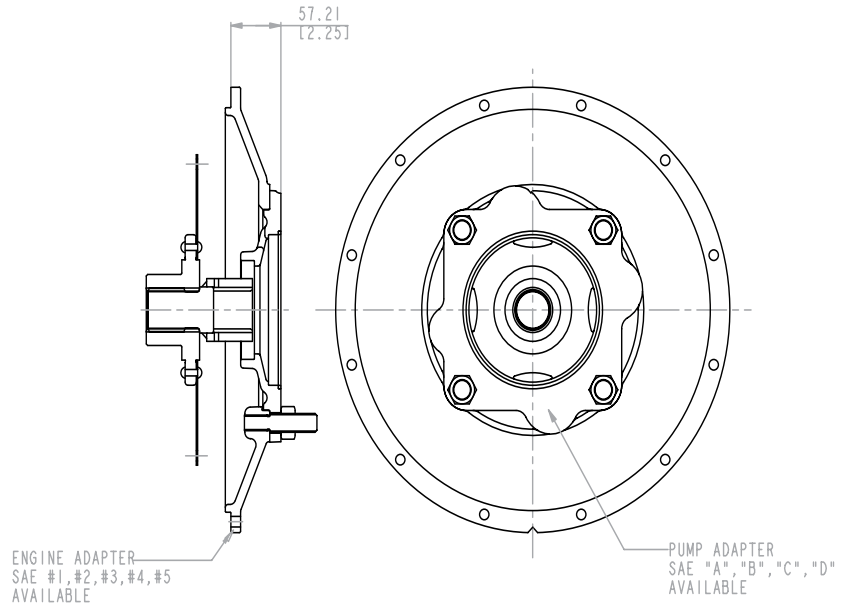
# Funk™ Series 28000

## 28000 Single Direct Drive

Industrial Drivetrain Specifications



### Dimensions



### Ratings

Max power	186-268 kW (250-360 hp)
Max input torque	678-880 Nm (500-650 lb-ft)
Max output torque	Nm (lb-ft)
Max input/output speed	3000 rpm

### General data

Type	Single Direct
Approximate dry weight	16-55 kg (35-120 lb)
Pump rotation	Enginewise
Flywheel covers	2, 3, or 4
Nominal clutch size	254 mm (10 in) or 292.1 mm (11.5 in)
Oil	

### Features and benefits

#### Perfect fit

- With more than 5,000 pump drive configurations up to 708 kW (950 hp), we are sure to have the pump drive that meets your needs. Our application engineers provide support to help you choose the best pump drive for your application.

#### Fast service

- Whether you need a new pump drive or service support on an existing drive, our modular assembly system and experienced regional distribution network lets us get you what you need fast.

#### High quality

- We use the latest manufacturing technology to ensure we deliver the highest quality products for you.

#### Integration support

- Getting the most out of your equipment depends on close integration between all components. Our application experts can help integrate your entire system from the engine to the pump drives, powershift transmissions, HMD transmissions, planetary drives, and inboard planetary axles.

#### John Deere Power Systems

3801 W. Ridgeway Ave.  
PO Box 5100  
Waterloo, IA 50704-5100  
Phone: 800.553.6446  
Fax: 319.292.5075

*Photographs may show non-standard equipment.*

*Specifications and design subject to change without notice. Ratings may vary depending on application and service. Application and installation are subject to review by John Deere.*