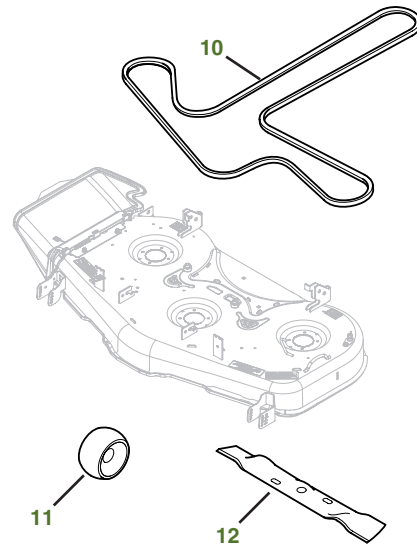
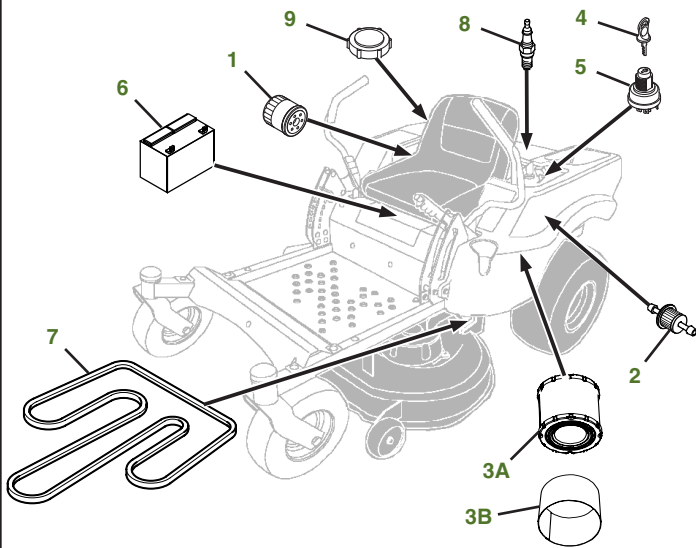


MAINTENANCE REMINDER SHEET

Z535M with 48" Accel Deep™ Deck



Tractor S/N

Deck S/N

Key	Part No.	Description	Key	Part No.	Description
1	AM125424	ENGINE OIL FILTER	6	TY25878	BATTERY
2	AM116304	FUEL FILTER-IN-LINE Use with Marked Engines 44T9770023G1 and 44T9770018G1	7	M172116	BELT-TRACTION DRIVE
	UC10277	FUEL FILTER-IN-LINE Use with Marked Engines 44T9770028G1 / 44T9770029B1 and 44T9770033B1	8	MIU11020	SPARK PLUG
3A	MIU13120	AIR FILTER	9	AM146138	FUEL CAP
3B	UC10250	PRE CLEANER	10	GX25998	BELT-MOWER
4	AUC12681	KEY	11	GX10168	GAGE WHEEL
5	TCA22740	IGNITION SWITCH (- 080000)	12	M145476	BLADE-SIDE DISCHARGE 48"
	AUC12631	IGNITION SWITCH (080001 -)		M127673	BLADE-MULCHING 48"
				BM24993	MULCHCONTROL™ KIT

Parts Needed in First 250 Hours of Operation

Qty	Part No	Item	Qty or Capacity	Change Interval In Hours
12	TY22029	Engine Oil Turf-Gard™ 10W30	1.9 L (2 qt)	50/100/150/200/250
6	AM125424	Engine Oil Filter	1	50/100/150/200/250
2	MIU13120	Air Filter	1	100/200
2	UC10250	Pre Cleaner	1	100/200
2	AM116304	Fuel Filter	1	100/200
2	UC10277	Fuel Filter	1	100/200
4	MIU11020	Spark Plug	2	100/200
1	TY24416	John Deere Multi-Purpose HD Lithium Complex Grease		As Needed

"As Needed" Parts

Qty	Part No	Item
1	AM130907	Mower Deck Leveling Gauge
1	TY26517	Grease Gun

Home Maintenance Kit

Unit	Kit Number
Z535M	LG269

CLICK PART NUMBER TO BUY