



REPLACEMENT PART GUIDE

6090HFS85 PowerTech 9.0 Gen Set OEM Engine (Stage III)



OCV FILTER

[RE546466](#) (2920)



STARTER

[RE506103](#) (24V) (3005) USE WITH ENGINE VARIANT [RE556445](#)

[RE529661](#) (12V) (3001) USE WITH ENGINE VARIANT [RE556444](#)



PRIMARY FUEL FILTER

[RE520906](#) (3510, 3511)

500 hrs of operation or every 12 months.



FINAL FUEL FILTER

[RE525523](#) (3510, 3511)

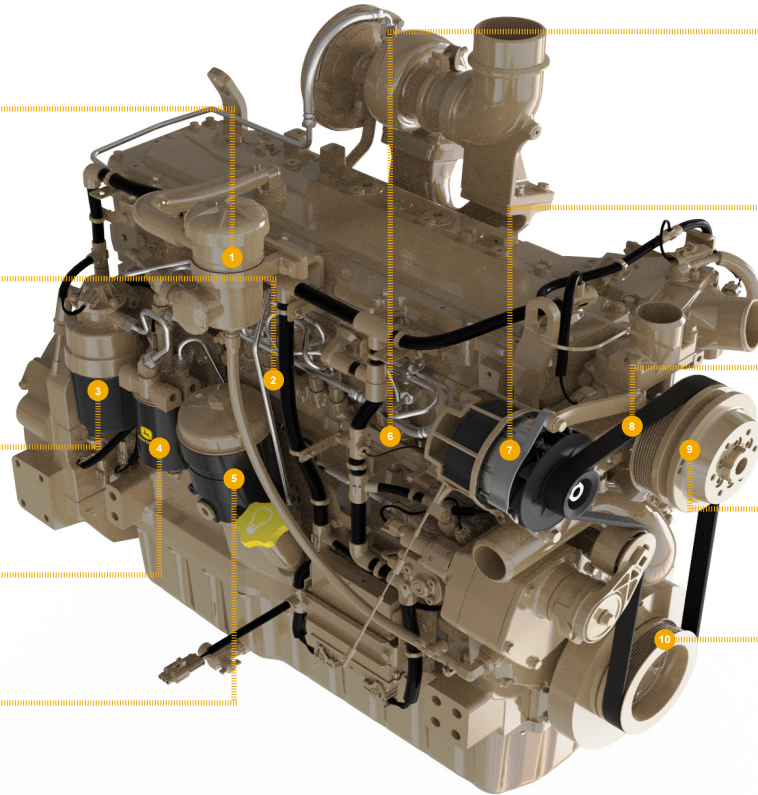
500 hrs of operation or every 12 months.



OIL FILTER

[RE509672](#) (5925)

500 hrs of operation or every 12 months.



SHORT BLOCK ASSEMBLY

[DZ121193](#) INCLUDES [RE528399](#)



ALTERNATOR

[RE500227](#) (12V, 90A) (3120) Use With Engine Variant [RE556444](#)

[RE65414](#) (24V, 60A) (3118)

[DZ114957](#) (28V, 55A) (3119) Use With Engine Variant [RE556445](#)



FAN BELT

[T429109](#) (LGTH = 1660 mm) (2435)



FAN PULLEY

[R522506](#) (OD = 175.5 mm) (236A)



DAMPER

[RE523527](#) (OD = 279 mm) (1317)



CRANKSHAFT PULLEY

[R522825](#) (1317)



JOHN DEERE

Genuine Parts and Service



REMAN PARTS GUIDE

6090HFS85 PowerTech 9.0 Gen Set OEM Engine (Stage III)



CONTROLLER

[SE502800](#) (REMAN FOR [RE531808](#))
(LEVEL 14) (8414)



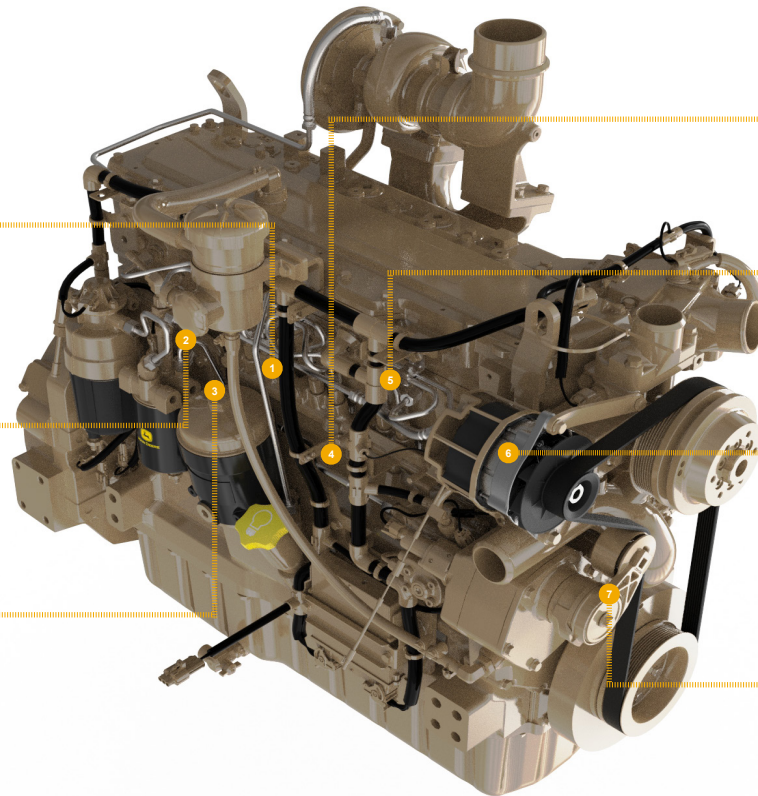
STARTER

[SE501866](#) (REMAN FOR [RE506103](#))
(24V) (3005) USE WITH ENGINE
VARIANT [RE556445](#)
[SE501867](#) (REMAN FOR [RE529661](#)) (12V)
(3001) USE WITH ENGINE
VARIANT [RE556444](#)



CONNECTING ROD

[SE501759](#) (REMAN FOR [DZ122131](#)) (4801)
[SE501748](#) (REMAN FOR [DZ122131](#)) (4801)



FUEL INJECTION NOZZLE

[SE501947](#) (REMAN FOR [DZ100221](#)) (1601)



FUEL INJECTION PUMP

[SE501922](#) (REMAN FOR [RE571640](#)) (1601)



ALTERNATOR

[SE501836](#) (REMAN FOR [RE500227](#))
(12V, 90A) (3120) USE WITH
ENGINE VARIANT [RE556444](#)
[SE501842](#) (REMAN FOR [RE65414](#))
(24V, 60A) (3118) USE WITH
ENGINE VARIANT [RE556445](#)



WATER PUMP

[SE501228](#) (REMAN FOR [RE530194](#)) (2001)



JOHN DEERE
Genuine Parts and Service