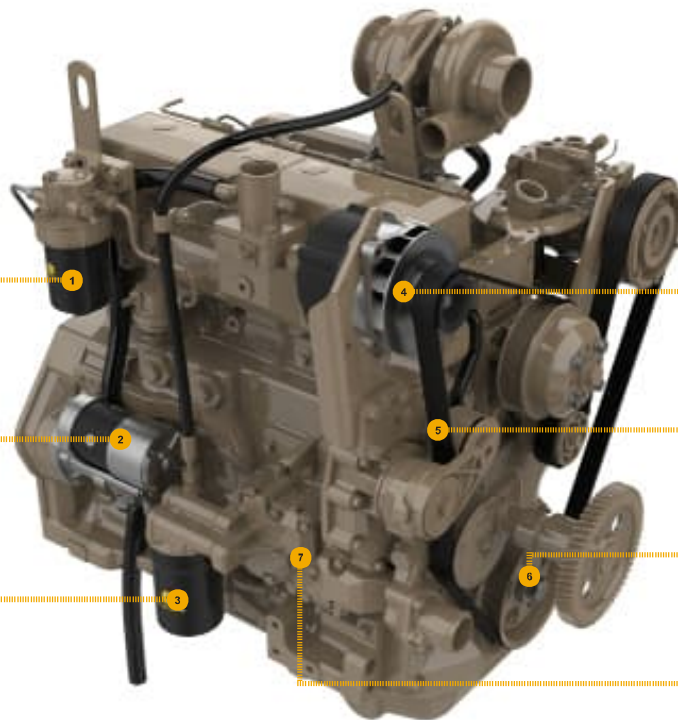


REPLACEMENT PART GUIDE

PowerTech M 4.5L OEM 4045HFK80 Engine (Tier 3)



FUEL FILTER

[RE522868](#) (35EU)

500 Hours of Operation or Every 12 Months.



STARTER

[RE540300](#) (12 V, 2.7 KW) (3007)



OIL FILTER

[RE504836](#) (8843)

500 hrs of operation or every 12 months



ALTERNATOR

[RE533653](#) (12 V, 95 A) (3107)



FAN BELT

V-BELT, BELT, POLY-RIB

[DZ119649](#) (LGTH = 2435 mm) (24HY)



CRANKSHAFT PULLEY & DAMPER

[R505567](#) (OD = 173 mm) (1328)



SHORT BLOCK ASSMEBLY

[DZ109713](#)

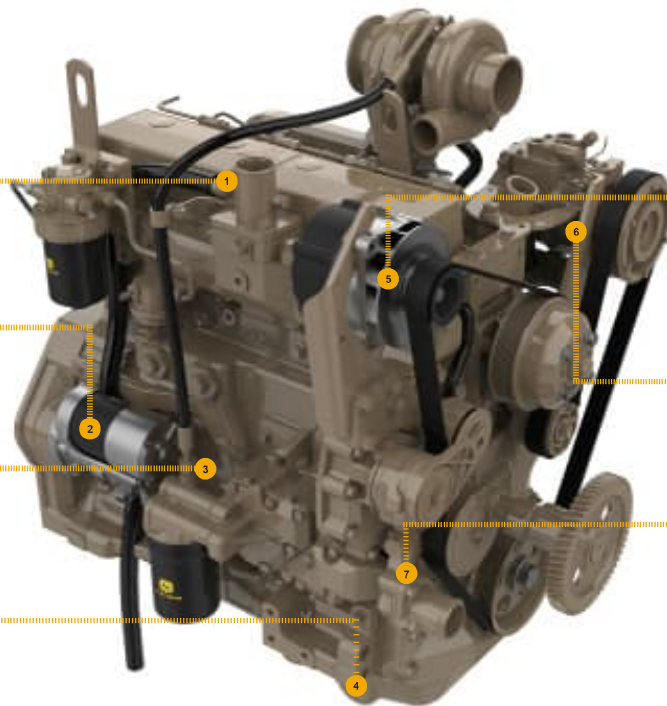


JOHN DEERE
Genuine Parts and Service



REMAN PARTS GUIDE

PowerTech M 4.5L OEM 4045HFK80 Engine (Tier 3)



CYLINDER HEAD

[SE501806](#) (REMAN FOR [RE531088](#)) (5127)



STARTER

[SE501402](#) (REMAN FOR [RE540300](#)) (3007)



CONNECTING ROD

[SE501096](#) (REMAN FOR [RE500002](#)) (4843)



OIL PUMP

[SE501814](#) (REMAN FOR [DZ100057](#)) (5001)



ALTERNATOR

[SE501342](#) (REMAN FOR [AH137883](#))
(12 V, 95 A) (3107)
[SE502627](#) (REMAN FOR [RE533653](#))
(12 V, 95 A) (3107)



A/C COMPRESSOR

[SE503065](#) (REMAN FOR [AH169875](#)) (7427)



WATER PUMP

[SE501610](#) (REMAN FOR [RE546917](#)) (4428)



JOHN DEERE
Genuine Parts and Service