

REPLACEMENT PART GUIDE

PowerTech PSX 13.5L 6135HFG84 (Tier III) OEM Engine



FUEL FILTERS

PRIMARY FILTER ELEMENT
[RE532952](#) (3524) (3525)

500 Hours of Operation or Every 12 Months.



FUEL FILTERS

SECONDARY FILTER ELEMENT
[DZ112918](#) (3524) (3525)

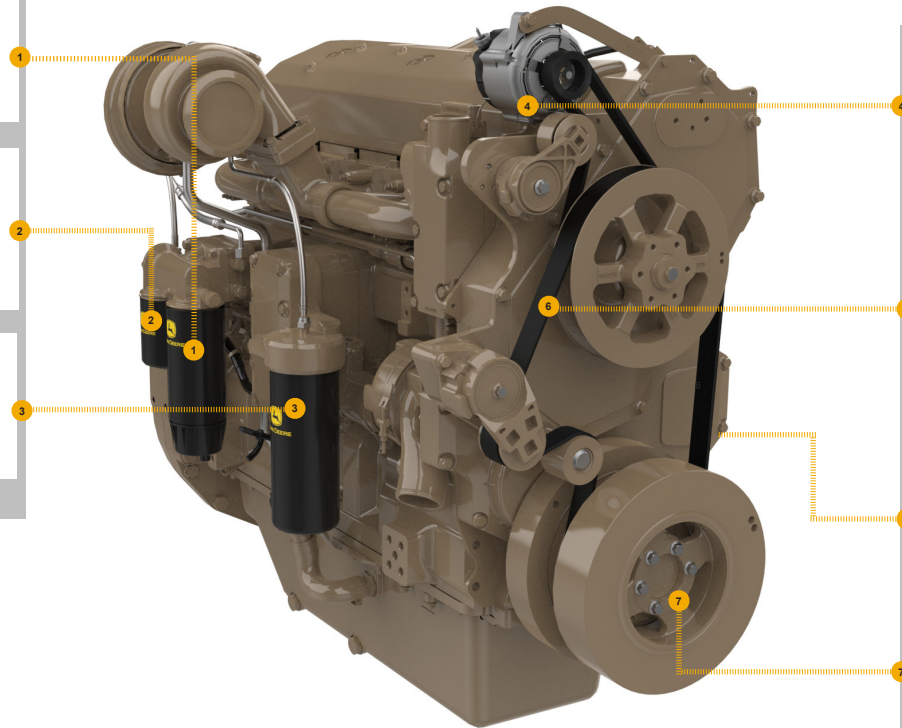
500 Hours of Operation or Every 12 Months.



OIL FILTER

[RE572785](#) (5917)

500 Hours of Operation or Every 12 Months.



ALTERNATOR

[RE65414](#) (24V; 60 A) (3119)
[RE500227](#) (90 A; 12 V) (3120)

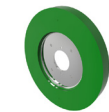
FAN BELT

[DZ118753](#) (LGTH=1159 mm) (2421)
[DZ118705](#) (LGTH=1890 mm) (2421)
[DZ118692](#) (LGTH=1430 mm) (2425)
[DZ118779](#) (LGTH=1564 mm) (2425)
[DZ118751](#) (LGTH=1111 mm) (2428)
[DZ119641](#) (LGTH=1825 mm) (2483)
[DZ118698](#) (LGTH=1665 mm) (2477)
[DZ119547](#) (LGTH=2033 mm) (2477)



STARTER

[RE515843](#) (12V) (3006)
[RE540886](#) (3014)



CRANKSHAFT PULLEY & DAMPER

[RE530733](#) (OD = 361 mm) (6802)
[RE523269](#) (OD = 355 mm) (6809)
[RE530331](#) (OD = 351 mm) (6814)
[RE523268](#) (OD = 355 mm) (6814)



REMAN PARTS GUIDE

PowerTech PSX 13.5L 6135HFG84 (Tier III) OEM Engine



CYLINDER HEAD

[SE502698](#) (REMAN FOR [RE520563](#)) (5113)



ALTERNATOR

[SE501836](#) (REMAN FOR [RE500227](#))
(12 V, 90 A) (3120)
[SE501842](#) (REMAN FOR [RE65414](#))
(24 V, 60 A) (3119)



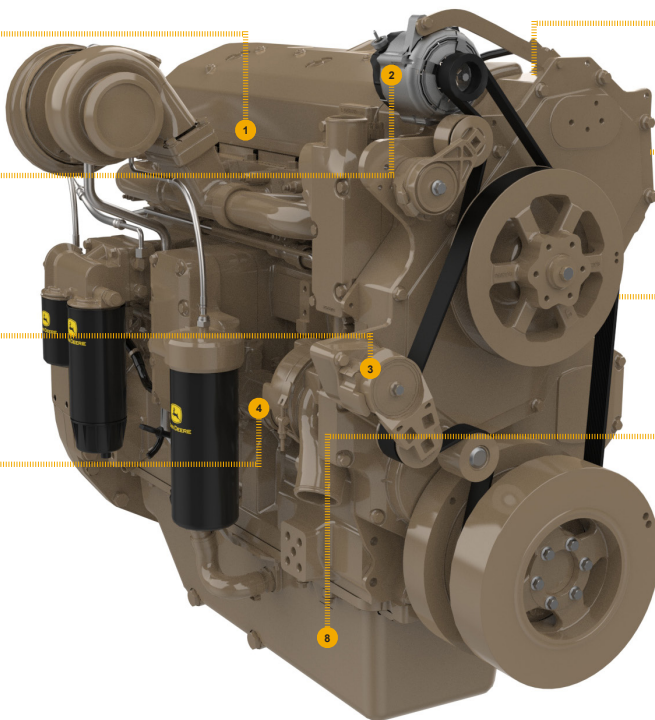
PUMP, WATER S350PT

[SE501593](#) (REMAN FOR [RE549117](#)) (2007)



CONNECTING ROD

[SE502276](#) (REMAN FOR [RE535966](#)) (4803)



CONTROLLER

[SE502948](#) (REMAN FOR [RE520954](#))
(8497) (8429) (8430)



ELECTRONIC UNIT INJECTOR

[RM100251](#) (REMAN FOR [DZ121294](#))
(1626)



STARTER

[SE501862](#) (REMAN FOR [RE515843](#))
(12 V) (3006)
[SE502679](#) (REMAN FOR [RE540886](#)) (3014)



OIL PUMP

[SE501594](#) (REMAN FOR [RE527933](#)) (5002)

