

# REPLACEMENT PART GUIDE

## PowerTech 4.5 L 4045AFM85 Marine Engine



### ALTERNATOR

[DZ117503](#) (24 V, 140 A) (3127)  
[RE533516](#) (12 V, 75 A) (3138)  
[RE533653](#) (12 V, 95 A) (3140)  
[RE533654](#) (28 V, 50 A) (3141)  
[RE537146](#) (24 V, 40 A) (3142)  
[RE540412](#) (14 V, 75 A) (3148)  
[RE540413](#) (28 V, 50 A) (3149)  
[DZ117503](#) (24 V, 140 A) (3184)



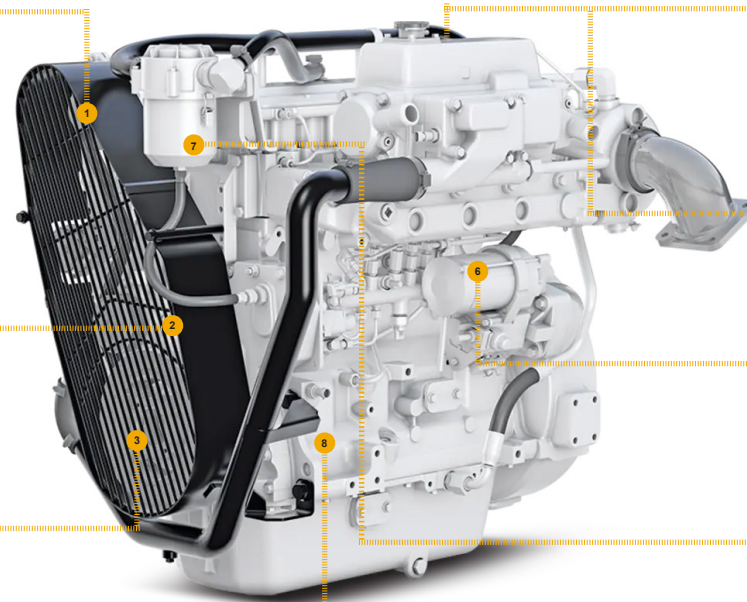
### FAN BELT

[DZ119515](#) (LGTH = 1585 mm) (24CZ)  
(24KT)  
[DZ118764](#) (LGTH = 1525 mm) (24KM)  
(24KU)



### CRANKSHAFT PULLEY & DAMPER

[RE505881](#) (1324)  
[R505567](#) (OD = 173 mm) (1328)  
[RE505940](#) (1330)  
[R545126](#) (1333)



### OIL FILTER

[RE504836](#) (8843)  
500 hrs of operation or  
every 12 months



### FUEL FILTER

[RE521540](#) (81BN) (81D2)  
500 hrs of operation or  
every 12 months



### STARTER MOTOR

[RE70957](#) (12 V) (3006)  
[RE501150](#) (24 V) (3041)  
[RE564633](#) (24 V) (3090)  
[RE536490](#) (12 V, 4 KW) (30AG)



### CRANKCASE VENT SYSTEM OCV FILTER

[RE502284](#) (29BC)  
1500 hrs of operation.



### SHORT BLOCK ASSEMBLY

[DZ115535](#)



**JOHN DEERE**  
Genuine Parts and Service

# REMAN PARTS GUIDE

## PowerTech 4.5 L 4045AFM85 Marine Engine



### ALTERNATOR

- [SE501342](#) (REMAN FOR [AH137883](#)) (12V, 95A) (3140)
- [SE501343](#) (REMAN FOR [AH165975](#)) (12V, 120A) (3141)
- [SE501341](#) (REMAN FOR [AT161324](#)) (24V, 45A) (3142)
- [SE501387](#) (REMAN FOR [AT173624](#)) (12V, 65A) (3138)
- [SE502626](#) (REMAN FOR [RE533516](#)) (12V, 75A) (3138)
- [SE502627](#) (REMAN FOR [RE533653](#)) (12V, 95A) (3140)
- [SE502628](#) (REMAN FOR [RE533654](#)) (12V, 120A) (3141)
- [RM100225](#) (REMAN FOR [RE537146](#)) (14V, 75A) (3148)
- [RM100226](#) (REMAN FOR [RE540412](#)) (14V, 75A) (3148)



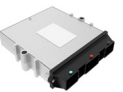
### CONNECTING ROD

- [SE501094](#) (REMAN FOR [RE500608](#)) (4820)



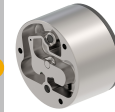
### CONTROLLER

- [SE502800](#) (REMAN FOR [RE531808](#)) (16GX)



### OIL PUMP

- [SE501814](#) (REMAN FOR [DZ100057](#)) (5001)



### STARTER

- [SE501406](#) (REMAN FOR [RE501150](#)) (24 V) (3041)
- [SE502733](#) (REMAN FOR [RE564633](#)) (24 V) (3090)
- [SE501403](#) (REMAN FOR [RE70957](#)) (12 V) (3006)



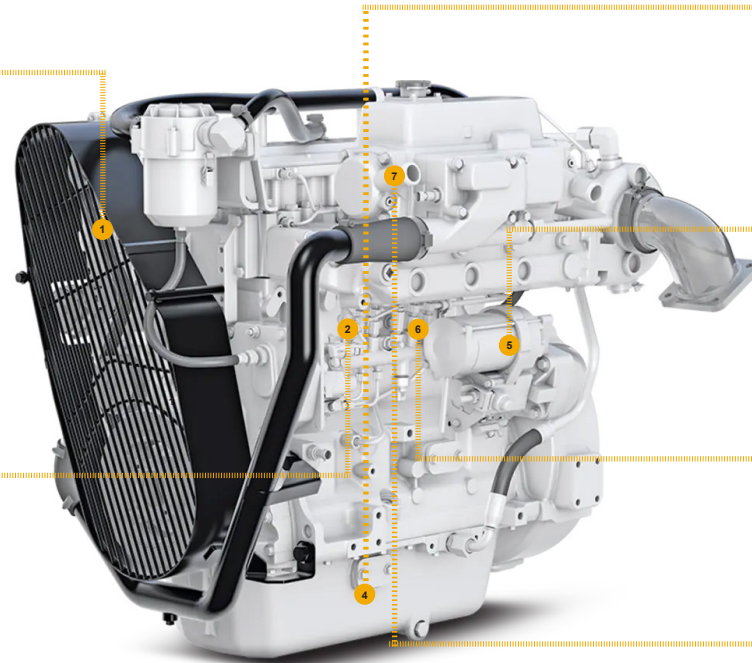
### FUEL INJECTION PUMP

- [SE501915](#) (REMAN FOR [RE507959](#)) (16GY)



### FUEL INJECTION NOZZLE

- [SE501926](#) (REMAN FOR [DZ100217](#)) (16GX)



**JOHN DEERE**  
Genuine Parts and Service