

REPLACEMENT PARTS GUIDE

Power Tech 2.9L 3029TFU29 GSPU OEM Motor



OIL FILTER

[RE519626](#) (5926)

500 hrs of operation or every 12 months.



FUEL FILTER

[RE60021](#) (35C6)

500 hrs of operation or every 12 months.



STARTER MOTOR

[DZ110083](#) (24 V, 4 KW) (3067)

[DZ110081](#) (12 V, 3.4 KW) (3075)

[RE523502](#) (12 V) (3084)

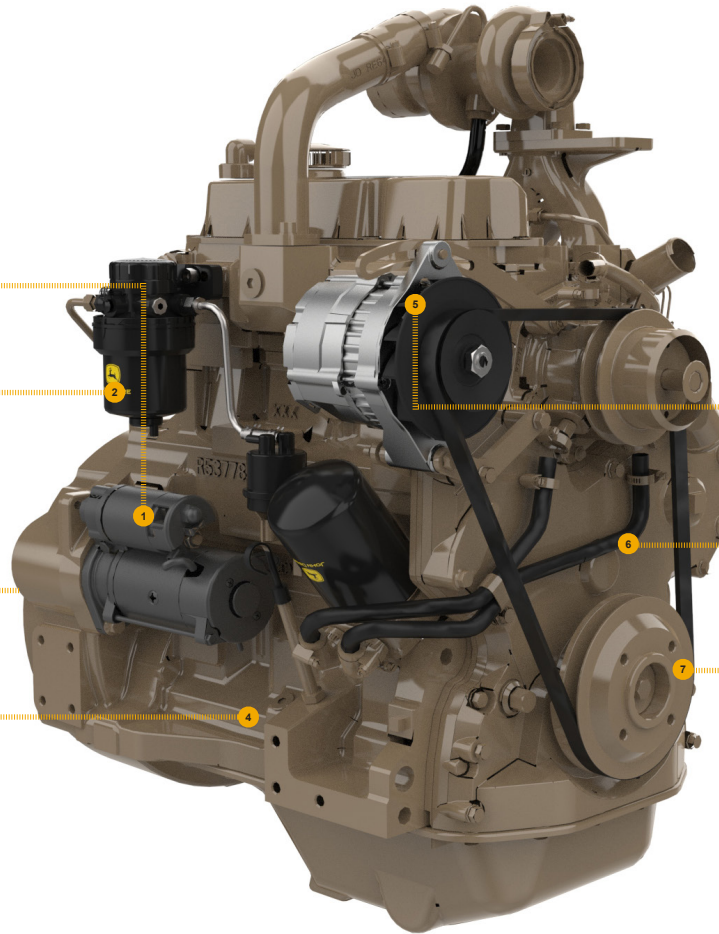
[RE519568](#) (12 V; 3.2 KW) (3085)



SHORT BLOCK ASSEMBLY

[DZ102006](#) (CAMSHAFT
MARKED R502183)

[DZ102045](#) (CAMSHAFT
MARKED R573059)



ALTERNATOR

[RE544045](#) (28 V, 50 A) (3131)

[RE509106](#) (12V, 65A) (3132)



FAN BELT

[T24473](#) (LGTH = 1295 mm) (2402)



CRANKSHAFT PULLEY & DAMPER

[DZ119883](#) (6813)



JOHN DEERE

Genuine Parts and Service

REMAN PARTS GUIDE

Power Tech 2.9L 3029TFU29 GSPU OEM Motor



ALTERNATOR

[SE501835](#) (REMAN FOR [RE509106](#))
(12 V, 65 A) (3132)



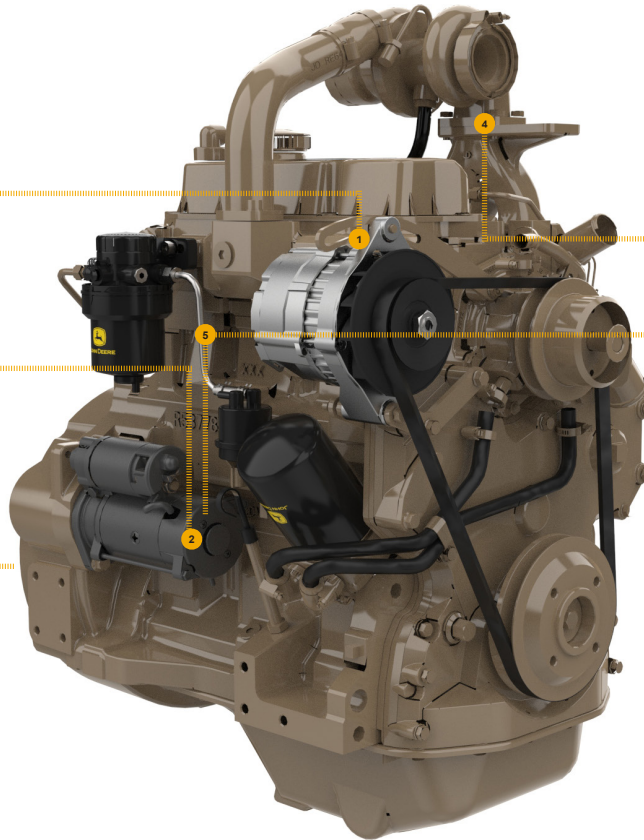
CONNECTING ROD

[SE501571](#) (REMAN FOR [RE501674](#)) (4813)



STARTER

[SE501851](#) (REMAN FOR [DZ110081](#))
(12 V, 3.4 KW) (3075)
[SE502286](#) (REMAN FOR [DZ110082](#))
(24 V, 4 KW) (30BL)
[SE501851](#) (REMAN FOR [RE507670](#))
(12 V) (3075)
[SE501869](#) (REMAN FOR [RE519568](#))
(12 V, 3.2 KW) (3085)
[SE502632](#) (REMAN FOR [RE523502](#))
(12 V) (3084)



TURBO CHARGER

[SE501634](#) (REMAN FOR [RE70036](#)) (65V1)



NOZZLE

[SE501101](#) (REMAN FOR [RE48786](#))
(16RP) (16QT) (16QS) (16SR)



JOHN DEERE
Genuine Parts and Service