

REPLACEMENT PART GUIDE

6081TF001 PowerTech 8.1L OEM Engine (ESN -199999) (Waterloo)



SHORT BLOCK ASSEMBLY

[DZ114668](#) (MARKED R115471)

Also order R107623 and RE42081 with codes (4006, 4010), also order R121765 with codes (4002,4003,4007), also order R120801 with codes (4008,4009) 107 mm, code 4602, marked R115471, w/o aux drive, w/o oil hole; piston marked RE70688, RE502656, RE65289, RE53000 or RE64170; spur gear.



ALTERNATOR

[RE500713](#) (12 V, 200 A) (3102)

[RE65414](#) (24 V, 60 A) (3106, 3146)

[RE500226](#) (12 V, 140 A) (3110, 3145)

[DZ114957](#) (BOSCH, 24 V, 45 A) (3112)

[AH165975](#) (BOSCH, 12 V, 120 A) (3120)

[DZ114956](#) (BOSCH, 12 V, 65 A) (3122)

[RE500227](#) (12 V, 90 A) (3125, 3150)



CRANKSHAFT PULLEY AND DAMPER

[R520182](#) (OD = 214 mm) (1302)

[R518277](#) (OD = 208 mm) (1303)

[R520183](#) (OD = 208 mm) (1304, 1307, 1345)

[RE523526](#) (OD = 279 mm) (1306)

[RE501764](#) (OD = 279 mm) (1306)

[R520184](#) (OD = 214 mm) (1348)

DAMPER

[RE57604](#) (OD = 271 mm) (1302, 1303, 1341, 1346, 1348)

[RE500917](#) (OD = 279 mm) (1302, 1303, 1341)

[RE48454](#) (OD = 279 mm) (1304, 1305)

[RE64345](#) (OD = 279 mm) (1307)

[RE57603](#) (OD = 279 mm) (1345)

[RE500934](#) (OD = 279 mm) (1346)



FAN PULLEY

[R505628](#) (OD = 209 mm) (236A, 236B, 236C)

[R500386](#) (236B)

[R120896](#) (OD = 186 mm) (237A, 237B, 237C)

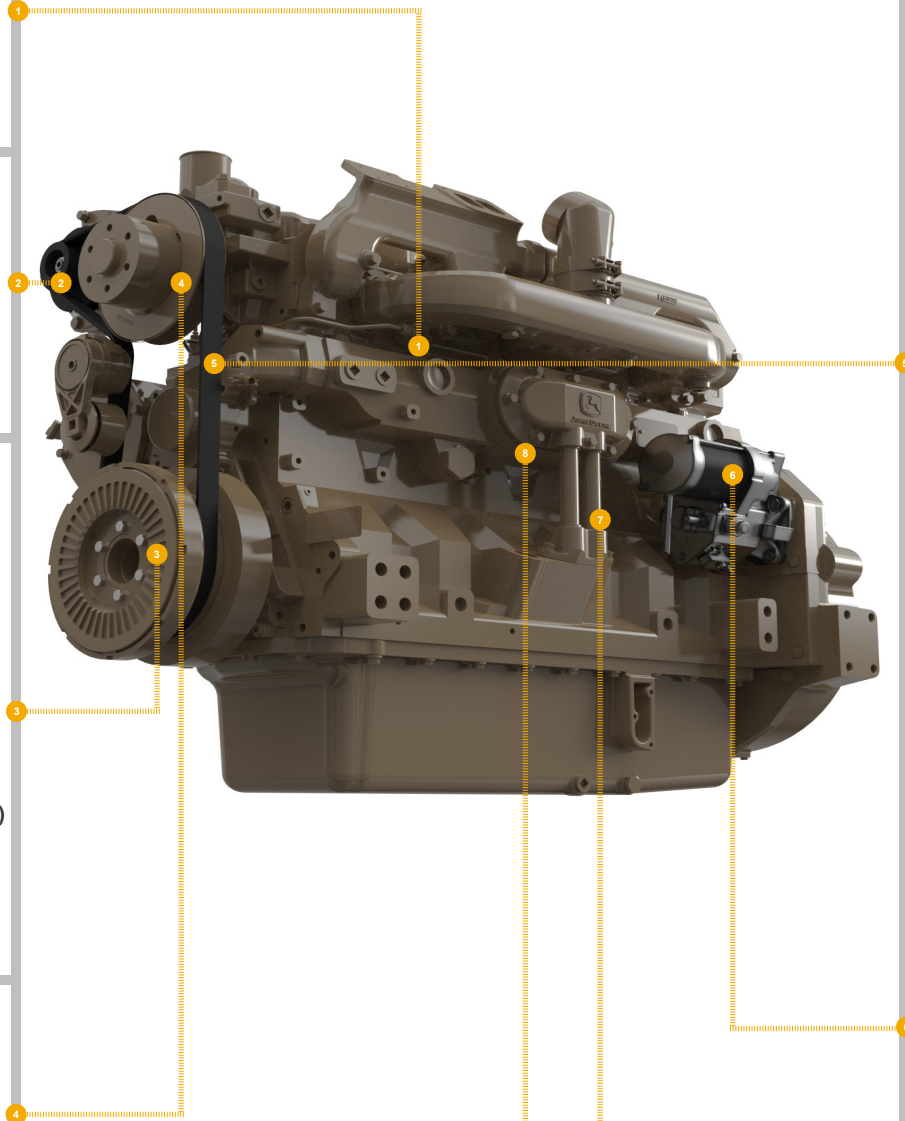
[R128654](#) (OD = 175 mm) (238A, 238B)

[R127398](#) (OD = 210 mm) (23AL, 23AM, 23BL, 23CL, 23DL, 23EL, 23FL)

[R127399](#) (23BC, 23CC, 23DC, 23EC, 23FC)

[R128904](#) (23BU, 23CU, 23DU, 23EU, 23FU)

[R500135](#)(OD = 262mm)(23CF, 23DF, 23EF,



FAN BELT

[DZ119530](#) (LGTH = 1675 mm) (2401)

[DZ118781](#) (LGTH = 1700 mm) (2402, 2438)

[DZ123507](#) (LGTH = 1730 mm) (2403)

[DZ118827](#) (LGTH = 1760 mm) (2404)

[DZ118830](#) (LGTH = 1800 mm) (2405, 2439, 2450)

[DZ118832](#) (LGTH = 1825 mm) (2406, 2440)

[DZ118833](#) (LGTH = 1845 mm) (2407, 2441)

[DZ119648](#) (LGTH = 1900 mm) (2408)

[DZ118834](#) (LGTH = 1870 mm) (2409, 2442)

[T428703](#) (LGTH = 1920 mm) (2410)

[DZ118855](#) (LGTH = 1965 mm) (2411)

[T437052](#) (LGTH = 2000 mm) (2412, 2443)

[T428705](#) (LGTH = 2045 mm) (2414)

[DZ118801](#) (LGTH = 1720 mm) (2415)

[DZ118826](#) (LGTH = 1750 mm) (2416)

[R135594](#) (LGTH = 1770 mm) (2417)

[T428694](#) (LGTH = 1710 mm) (2418)

[T428698](#) (LGTH = 1815 mm) (2419)

[T428701](#) (LGTH = 1900 mm) (2420)

[T437051](#) (LGTH = 1935 mm) (2421)

[DZ118858](#) (LGTH = 1925 mm) (2422)

[DZ118885](#) (LGTH = 1990 mm) (2423)

[R135664](#) (LGTH = 2590 mm) (2425, 2446)

[DZ119048](#) (LGTH = 2605 mm) (2426)

[DZ119047](#) (LGTH = 2620 mm) (2427)

[T428848](#) (LGTH = 2520 mm) (2429)

[DZ119051](#) (LGTH = 2530 mm) (2430)

[R135615](#) (LGTH = 2545 mm) (2431)

[DZ119052](#) (LGTH = 2560 mm) (2432)

[DZ119645](#) (LGTH = 2633 mm) (2433)

[DZ119644](#) (LGTH = 2550 mm) (2434)

[DZ119010](#) (LGTH = 2120 mm) (2435)

[DZ119050](#) (LGTH = 2650 mm) (2436)

[DZ118856](#) (LGTH = 2025 mm) (2437)

[DZ118861](#) (LGTH = 2015 mm) (2428, 2413, 2444)

[DZ119714](#) (LGTH = 2575 mm) (2424, 2445, 2447, 2448)

[DZ119643](#) (LGTH = 2315 mm) (2449)



STARTER

[RE69704](#) (12 V, 4.8 KW) (3001, 3004)

[RE501060](#) (24 V, 7.8 KW) (3002, 3003)



OIL FILTER

[DZ118156](#) (5901, 5910, 5914, 5942)

500 hrs of operation or every 12 months.



FUEL FILTER

[AR86745](#) (3503, 3506, 3507, 3508, 3509, 3518, 3524)

500 hrs of operation or every 12 months.



JOHN DEERE

Genuine Parts and Service

23FE

Jun 2023 Release Date.

REMAN PARTS GUIDE

6081TF001 PowerTech 8.1L OEM Engine (ESN -199999) (Waterloo)



CONNECTING ROD

[SE501065](#) (REMAN FOR [RE501513](#))
(4801, 4802)

[SE500501](#) (REMAN FOR [RE53154](#))
(MARKED [R116340](#)) (4801, 4802)

[SE501230](#) (REMAN FOR [RE522977](#))
(MARKED [R519583](#)) (4801, 4802)

ALTERNATOR

[SE501343](#) (REMAN FOR [AE53101](#) OR
[AH165975](#)) (BOSCH, 12 V,
120 A) (3104, 3120)

[SE501381](#) (REMAN FOR [RE34888](#))
(90 A) (3102)

[SE501839](#) (REMAN FOR [RE500226](#))
(3110, 3101, 3145)

[SE501836](#) (REMAN FOR [RE500227](#))
(3125, 3143, 3150) (12 V, 90 A)

[SE502626](#) (REMAN FOR [RE533516](#)) (3122)
(BOSCH, 12 V, 75 A) (FOR OEM
AND NON-OEM APPLICATIONS)

[SE501842](#) (REMAN FOR [RE64514](#))
(24 V, 60 A) (3106, 3146)

[SE501348](#) (REMAN FOR [TY25955](#))
(24 V, 80 A) (3103, 3116)

[SE501372](#) (REMAN FOR [RE3164](#) OR
[TY6686](#)) (3140) (12 V, 78 A)

WATER PUMP

[SE501596](#) (REMAN FOR [RE521502](#)) (2014)

OIL PUMP

[SE500877](#) (REMAN FOR [RE507076](#))
(MARKED [R504028](#)) (5002)

CYLINDER HEAD

[SE501591](#) (REMAN FOR [RE57750](#))
(5108, 5109)

TURBO CHARGER

[SE500426](#) (REMAN FOR [RE63163](#))
(6505, 6519, 6530)

[SE500431](#) (REMAN FOR [RE65540](#))
(6502, 6508, 6520)

[SE500432](#) (REMAN FOR [RE65622](#))
(6501, 6506, 6518)

STARTER

[SE501452](#) (REMAN FOR [RE47155](#) OR
[TY6729](#)) (12 V) (3006, 3011)

[SE501406](#) (REMAN FOR [RE501060](#) OR
[RE501150](#) OR [TY24443](#)) (24 V)
(3002, 3003)

[SE501400](#) (REMAN FOR [RE65103](#)) (24 V)
(3004)

[SE501403](#) (REMAN FOR [RE70957](#) OR
[TY24439](#)) (12 V) (3001, 3004)

AC COMPRESSOR

[SE503064](#) (REMAN FOR [AT172975](#))
(24 V, 10 PA) (7421, 7422, 7426,
7428, 7429, 7431, 7432, 7438)

[SE503065](#) (REMAN FOR [RE46609](#) OR
[TY6764](#)) (12 V, 10 PA) (7401,
7402, 7406, 7408, 7409, 7411,
7412, 7413, 7418, 7433)

[SE503055](#) (REMAN FOR [RE69716](#))
(12 V, 10 PA) (7402)

FUEL INJECTION NOZZLE

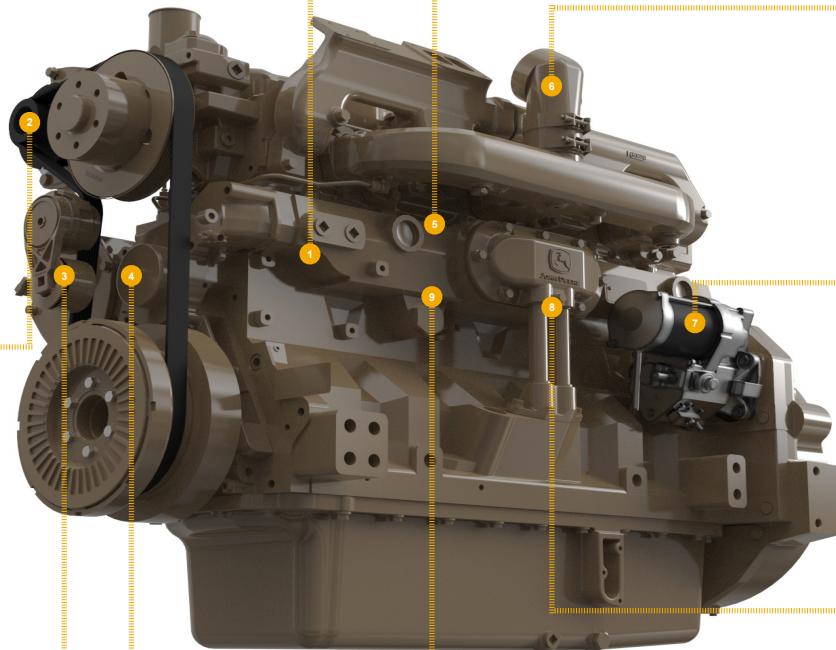
[SE501124](#) (REMAN FOR [RE61593](#)) (1601,
1602, 1604, 1605, 1614, 1615, 16CC)

[SE501185](#) (REMAN FOR [RE63261](#))
(1603, 1604, 1606, 1608)

[SE501141](#) (REMAN FOR [RE64265](#))
(1611, 1612, 1613)

FUEL INJECTION PUMP

[SE500500](#) (REMAN FOR [RE506416](#)) (16BZ)



JOHN DEERE
Genuine Parts and Service