

REPLACEMENT PART GUIDE

6068HT087 PowerTech Plus 6.8L Engines (6068 Tier 3)



FINAL FUEL FILTER

[RE522878](#) (35EN, 35EJ)

Replace 500 Hours of Operation or Every 12 Months.



PRIMARY FUEL FILTER

[RE541922](#) (81B6)

Replace 500 Hours of Operation or Every 12 Months.



STARTER

[RE500345](#) (24V) (3031)

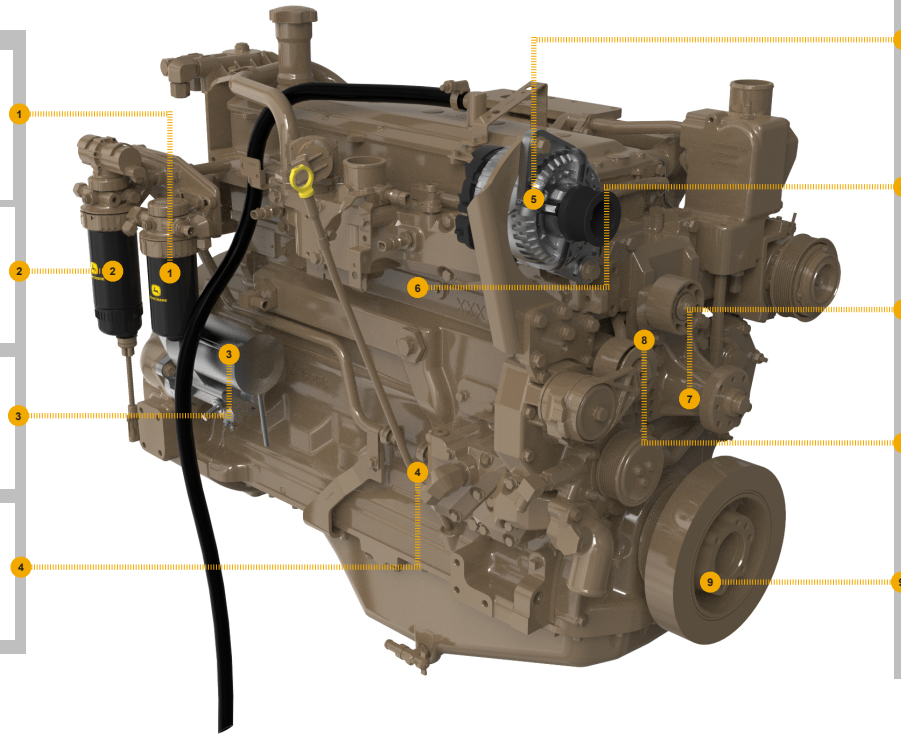
Including Safety Sign, Label, Cover, Solenoid.



OIL FILTER

[RE504836](#) (880N, 8847)

Replace 500 Hours of Operation or Every 12 Months.



ALTERNATOR

[AT387573](#) (24V, 80A) (3150, 3182)



SHORT BLOCK ASSEMBLY

[RE528638](#) (Also Order [RE527833](#), [DD15664](#), AND (26) [R502511](#))



FAN PULLEY

[R128660](#) (OD= 173 mm) (8602)



FAN BELT

[T437051](#) (LGTH = 1935 mm) (24KJ)

[R533878](#) (LGTH = 2465 mm) (24KK)



CRANKSHAFT PULLEY WITH DAMPER

[RE508577](#) (OD = 149 mm) (1323)



JOHN DEERE

Genuine Parts and Service

REMAN PARTS GUIDE

6068HT087 PowerTech Plus 6.8L Engines (6068 Tier 3)



FUEL INJECTION NOZZLE

[SE501926](#) (REMAN FOR [DZ100217](#))
(169Z, 16UF)



FUEL INJECTION PUMP

[SE501915](#) (REMAN FOR [RE507959](#))
(169Z, 16UF)



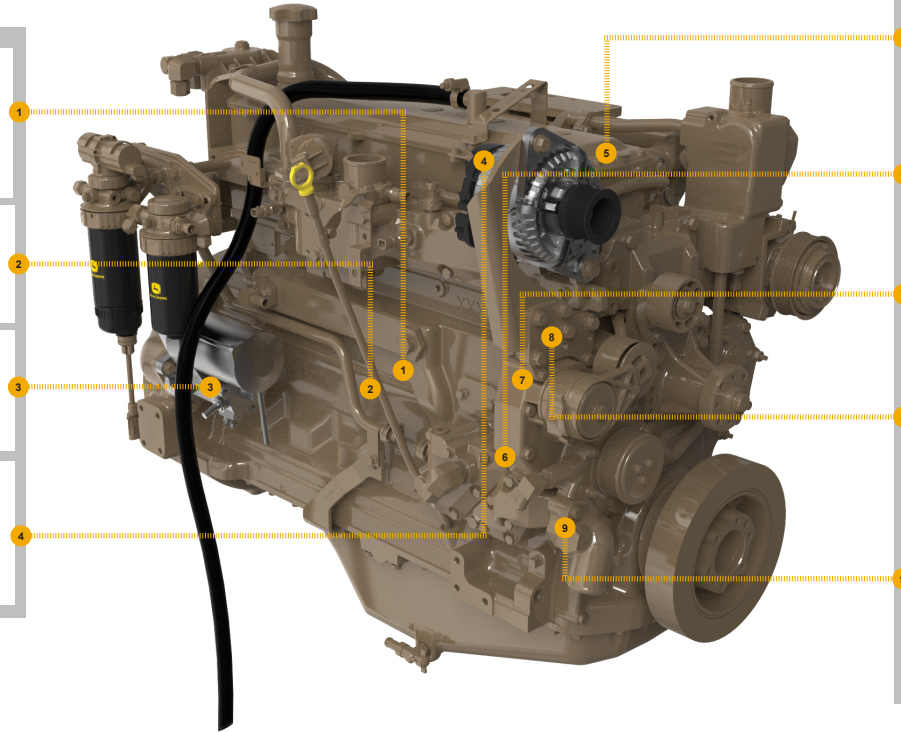
STARTER

[SE501407](#) (REMAN FOR [RE500345](#))
(24V) (3031)



ALTERNATOR

[SE501833](#) (REMAN FOR [AT387573](#))
(24V, 80A) (3150, 3182)



TURBOCHARGER

[SE501680](#) (REMAN FOR [DZ108149](#))
(65TE, 652Y)



OIL PUMP

[SE501813](#) (REMAN FOR [DZ100021](#)) (5024)



CONNECTING RODS

[SE501094](#) (REMAN FOR [RE500608](#)) (4834)



CYLINDER HEAD

[SE501583](#) (REMAN FOR [RE553421](#)) (5120)



WATER PUMP

[SE501227](#) (REMAN FOR [RE546918](#))
(S350PT) (44AX, 4435)

[SE502816](#) (REMAN FOR [RE546918](#))
(S350 iT4) (44AX, 4435)



JOHN DEERE
Genuine Parts and Service