



REPLACEMENT PART GUIDE

PowerTech 6.8L 6068HFL84 OEM Engine



STARTER

[RE501150](#) (24V) (3041) INCLUDING SAFETY SIGN, LABEL, COVER SOLENOID



PRIMARY FUEL FILTER

[RE541922](#) (8168, 8169)



SECONDARY FUEL FILTER

[RE522878](#) (35DZ)

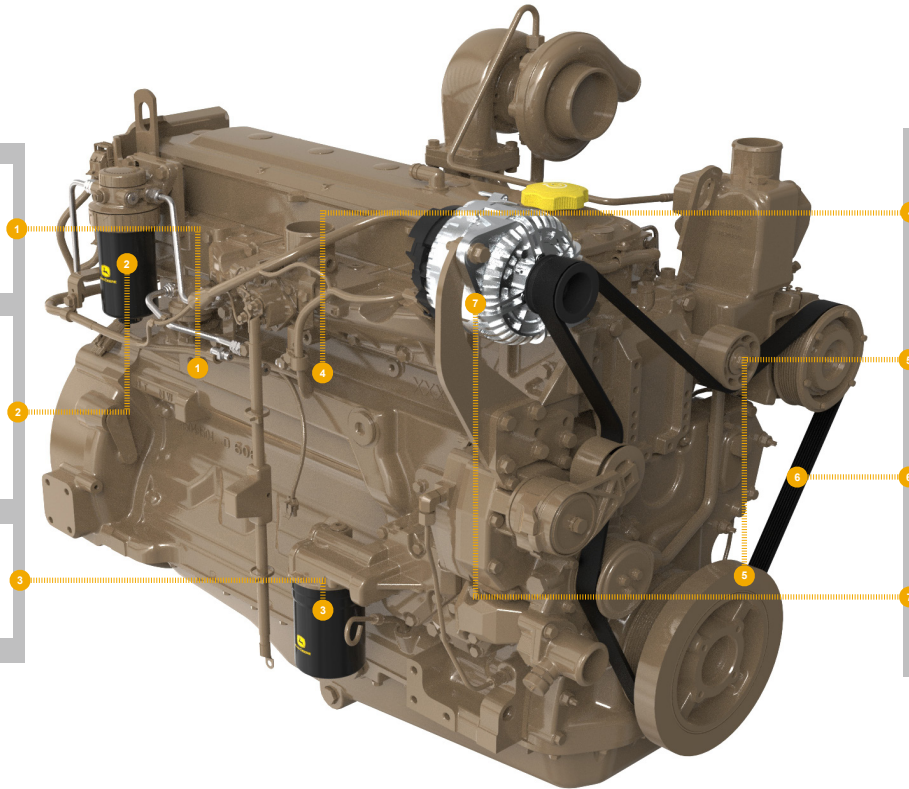
500 hrs of operation or every 12 months.



OIL FILTER

[RE504836](#) (8843)

500 hrs of operation or every 12 months.



SHORT BLOCK ASSEMBLY

[RE528638](#) (ALSO ORDER [RE527833](#), [DD15664](#), AND [RE546995](#))



CRANKSHAFT PULLEY

[RE505939](#) (OD = 188 mm) (1321)



FAN BELT

[DZ118653](#) (LGTH = 2025 mm) (24KY)



ALTERNATOR

[AT387574](#) (24V, 100A) (3152)



JOHN DEERE

Genuine Parts and Service



REMAN PARTS GUIDE

PowerTech 6.8L 6068HFL84 OEM Engine

CYLINDER HEAD

[SE501583](#) (REMAN FOR [RE553421](#))
(5120, 5128)

CONNECTING ROD

[SE501094](#) (REMAN FOR [RE500608](#)) (4834)

STARTER

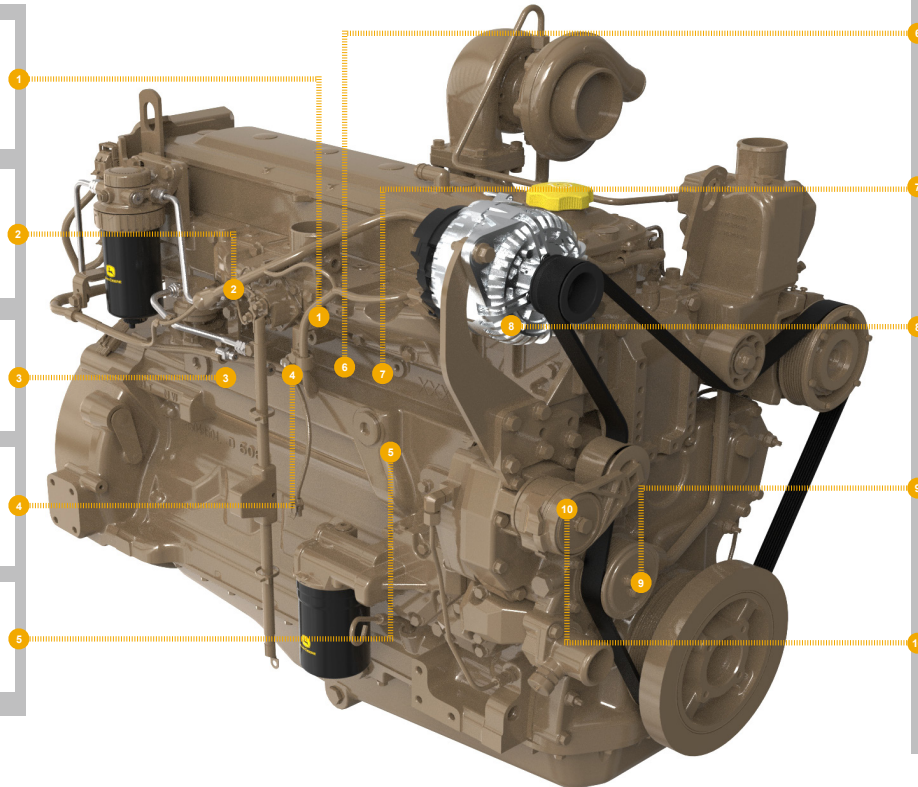
[SE501406](#) (REMAN FOR [RE501150](#)) (24V)
(3041)

FUEL INJECTION PUMP

[SE501915](#) (REMAN FOR [RE507959](#))
(16CD)

AC COMPRESSOR

[SE503064](#) (REMAN FOR [AT172975](#))
(24V, 10PA)



COMPLETE BLOCK ASSEMBLY

[SE501226](#)

May not be as illustrated, Includes cylinder head with valves and rocker arm assembly, oil pump assembly, complete gasket kit with front and rear seals.

CONTROLLER

[SE502800](#) (REMAN FOR [RE531808](#))
(LEVEL 14) (16CD)

ALTERNATOR

[SE501838](#) (REMAN FOR [AT387574](#))
(24V, 100A) (3152)

OIL PUMP

[SE501813](#) (REMAN FOR [DZ100021](#)) (5024)

WATER PUMP

[SE501227](#) (REMAN FOR [RE546918](#))
(S350PT)
[SE502816](#) (REMAN FOR [RE546918](#))
(S350 IT4)



JOHN DEERE
Genuine Parts and Service