



# REPLACEMENT PART GUIDE

## PowerTech 6.8L 6068HF275 OEM Engine



### OIL FILTER

[RE504836](#) (8842, 8843, 8844, 8845, 8846, 8847, 8848, 8849)

500 hrs of operation or every 12 months.

### PRIMARY FUEL FILTER

[RE509208](#) (8114, 8115, 8116, 8117, 8118, 8119, 8121, 8122, 8128, 8130, 8131, 8127)

[RE515368](#) (81B9) (81C1)

[RE521538](#) (35BW)

[RE62420](#) (35DP) (35FM)

500 hrs of operation or every 12 months



### FINAL FUEL FILTER

[RE67901](#) (35BR)

[RE509031](#) (35BV)

500 hrs of operation or every 12 months



### SHORT BLOCK ASSEMBLY

[RE520385](#) (9901)



### ALTERNATOR

[RE537146](#) (24V, 50A) (3104) (3114) (3142)

[RE533654](#) (12V, 120A) (3108) (3141)

[RE533516](#) (12V, 75A) (3109) (3111) (3138) (3139)

[RE506196](#) (12V, 55A) (3115) (3122)

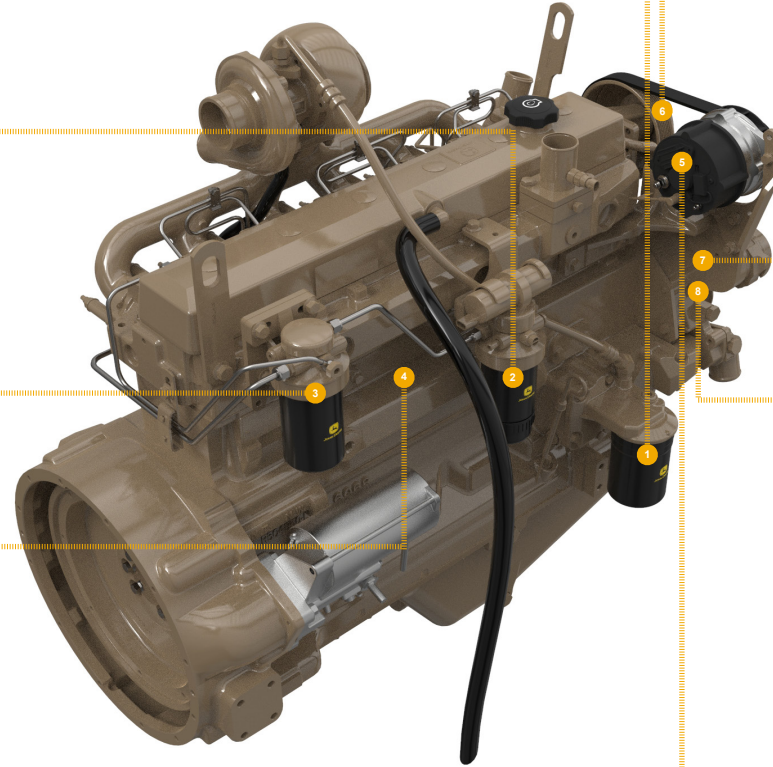
[DZ117503](#) (24V, 140A) (3127)

[RE505895](#) (12V, 75A) (3135)

[RE533653](#) (12V, 95A) (3140)

[RE501112](#) (12V, 105A) (3190)

[AXE28087](#) (12V, 185A) (31A1)



### FAN PULLEY

[R128658](#) (OD = 145 mm) (8601, 8604, 8607, 8610, 8629, 8636)

[R128660](#) (OD = 173 mm) (8602, 8605, 8608, 8611)

[R128662](#) (OD = 203 mm) (8603, 8606, 8609, 8612)



### CRANKSHAFT PULLEY

[RE508578](#) (OD = 264.5 mm) (1320)

[RE505939](#) (OD = 255.5 mm) (1321)

[RE505941](#) (OD = 188 mm) (1322)

[RE508577](#) (OD = 264.5 mm) (1323)

[RE505940](#) (OD = 264.5 mm) (6895) (1330)

[RE505881](#) (OD = 255.5 mm) (1324)



### DAMPER

[RE57604](#) (OD = 271.7 mm) (6811) (6816) (6895)



### FAN BELT

[DZ119060](#) (LGTH = 1555 mm) (2401)

[T428820](#) (LGTH = 1580 mm) (2402) (2421) (2479) (240T) (240V) (24AN)

[DZ118764](#) (LGTH = 1525 mm) (2403) (2405)

[DZ115455](#) (LGTH = 1550 mm) (2407) (240W) (24AJ)

[T428724](#) (LGTH = 1575 mm) (2409)

[DZ119516](#) (LGTH = 1600 mm) (2411, 2435, 2441, 24DB, 24DD)

[DZ119521](#) (LGTH = 1610 mm) (2412, 24DL, 24DT, 24CC)

[DZ119416](#) (LGTH = 1595 mm) (2413, 2416, 2475)

[DZ119061](#) (LGTH = 1540 mm) (2414)

[DZ119477](#) (LGTH = 1565 mm) (2415, 2423, 2476)

[DZ119520](#) (LGTH = 1605 mm) (2417, 2477, 2478)

[T428863](#) (LGTH = 1620 mm) (2418, 24DC)



**JOHN DEERE**

Genuine Parts and Service

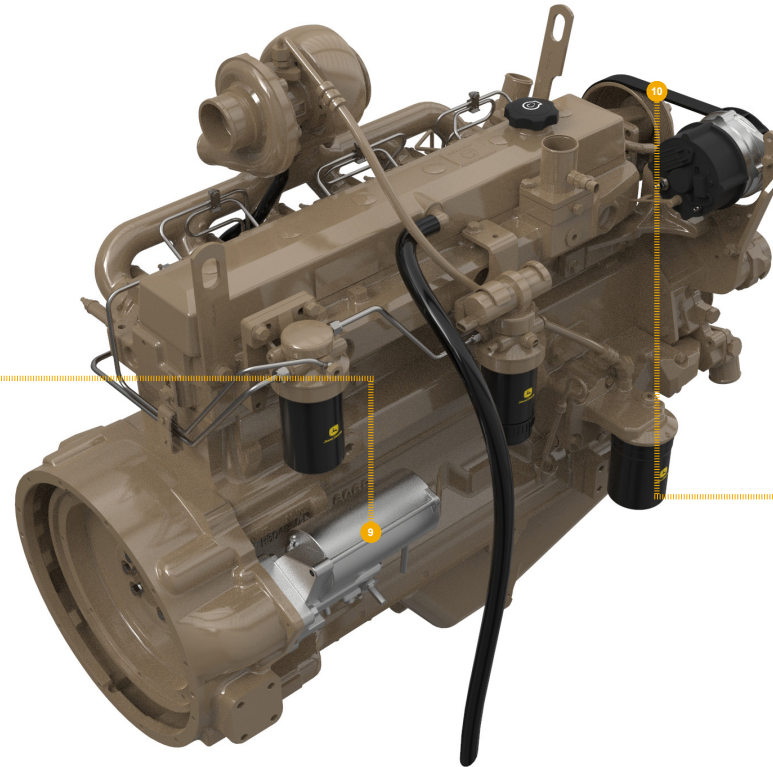


# REPLACEMENT PART GUIDE

## PowerTech 6.8L 6068HF275 OEM Engine

### STARTER

- [RE70961](#) (24V) (3001) (3061)
- [RE65175](#) (24V) (3003)
- [DZ129200](#) (12V, 2.5KW) (3005)
- [RE70957](#) (12V) (3006) (3060)
- [RE70960](#) (12V) (3010) (3060)
- [RE551644](#) (24V) (3011)
- [RE549229](#) (12V) (3013)
- [RE64474](#) (3025)
- [RE501166](#) (12V) (3026)
- [RE501150](#) (24V) (3041) (3061)
- [RE523502](#) (12V) (3052) (3084) (3088)
- [RE528929](#) (24V) (3054)
- [RE546868](#) (12V, 3.2KW) (3062)
- [DZ110083](#) (24V, 4KW) (3067) (3096)
- [RE507639](#) (12V) (3073)
- [RE523501](#) (12V) (3073) (3088)



### FAN BELT

- [DZ119522](#) (LGTH = 1630 mm) (2419, 24DM)
- [DZ119478](#) (LGTH = 1570 mm) (2420, 240S)
- [T428818](#) (LGTH = 1590 mm) (2424, 240F, 24CQ)
- [T428825](#) (LGTH = 1653 mm) (2425, 2480, 24CE, 24EE)
- [DZ119530](#) (LGTH = 1675 mm) (2427, 24DQ)
- [DZ119715](#) (LGTH = 1625 mm) (2429, 2438, 2482, 24DF, 24DR)
- [DZ119531](#) (LGTH = 2320 mm) (2433)
- [DZ119063](#) (LGTH = 1560 mm)(2408) (2472)
- [DZ119515](#) (LGTH = 1585 mm) (2473, 2474,2443)
- [DZ119062](#) (LGTH = 1545 mm) (240D, 240R)
- [DZ114929](#) (LGTH = 1655 mm) (240K, 24DO, 24DS)
- [DZ117268](#) (LGTH = 1530 mm) (24BK)
- [DZ119639](#) (LGTH = 2415 mm) (24BW)
- [DZ118783](#) (LGTH = 1685 mm) (24BX)
- [DZ118781](#) (LGTH = 1700 mm) (24BY, 24DZ)
- [T428694](#) (LGTH = 1710 mm) (24BZ)
- [DZ118815](#) (LGTH = 1725 mm) (24ED) (24CA)
- [T428725](#) (LGTH = 1640 mm) (24CD) (24DG,24DU)
- [T428842](#) (LGTH = 2380 mm) (24CN)
- [T428822](#) (LGTH = 1615 mm) (24DE, 24DJ,24CB)
- [T428823](#) (LGTH = 1635 mm) (24DK, 24DN, 24DV)
- [R134625](#) (LGTH = 1645 mm) (24DP)
- [T428692](#) (LGTH = 1665 mm) (24DY, 24DX)
- [DZ119533](#) (LGTH = 2360 mm) (24EA)
- [DZ119018](#) (LGTH = 2395 mm) (24EB)
- [DZ117267](#) (LGTH = 1690 mm) (24EC)
- [R500277](#) (LGTH = 1500 mm) (24HM)
- [DZ115812](#) (LGTH = 1680 mm) (24EF)

# REMAN PARTS GUIDE

## PowerTech 6.8L 6068HF275 OEM Engine



### AC COMPRESSOR



- [SE503064](#) (REMAN FOR [AT172975](#) (24V, 10PA) (7413))
- [SE503059](#) (REMAN FOR [RE52454](#) (7411))

### CONNECTING ROD

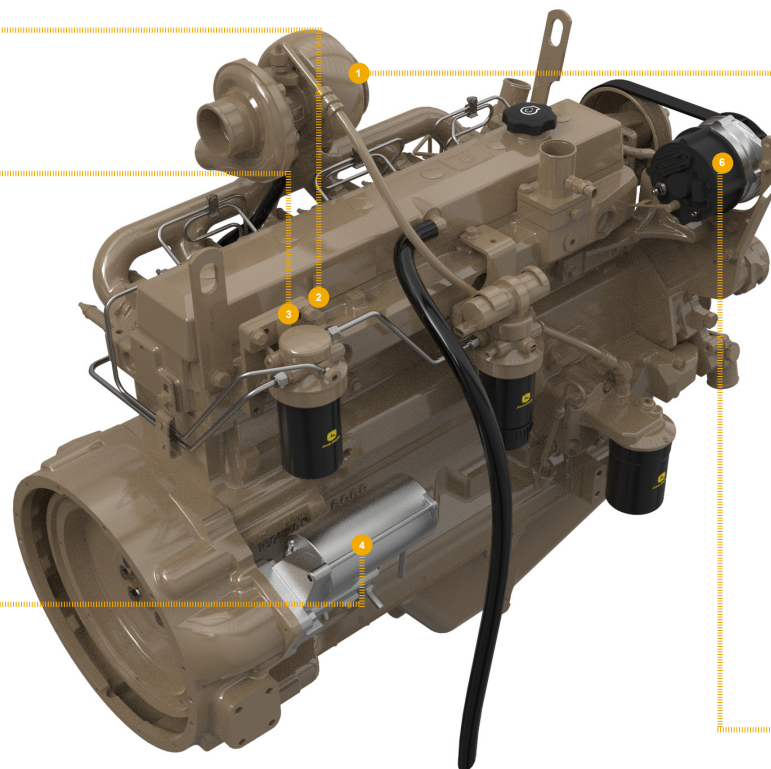


- [SE501094](#) (REMAN FOR [RE500608](#) (4820))

### STARTER



- [SE501407](#) (REMAN FOR [RE70961](#) (24V (3001) (3061))
- [SE501408](#) (REMAN FOR [RE65175](#) (3003))
- [SE501401](#) (REMAN FOR [RE540301](#) (12V, 2.5KW) (3005))
- [SE501403](#) (REMAN FOR [RE70957](#) (12V (3006) (3060))
- [SE501405](#) (REMAN FOR [RE70474](#) (12V (3010) (3060))
- [SE502634](#) (REMAN FOR [RE551644](#) (24V (3011))
- [SE502736](#) (REMAN FOR [RE551644](#) (24V (3011))
- [SE501409](#) (REMAN FOR [RE65190](#) (12V (3013))
- [SE501406](#) (REMAN FOR [RE501150](#) (24V (3041) (3061))
- [SE502632](#) (REMAN FOR [RE523502](#) (12V (3052) (3062) (3084) (3088))
- [SE502633](#) (REMAN FOR [DZ110083](#) (24V, 4KW) (3067))
- [SE501850](#) (REMAN FOR [RE507639](#) (12V (3073A))
- [SE502631](#) (REMAN FOR [RE523501](#) (3073B))



### TURBOCHARGER



- [SE501669](#) (REMAN FOR [RE508657](#) (65CJ (65CL) (65EQ))
- [SE502368](#) (REMAN FOR [RE508657](#) (65CJ (65CL) (65DQ))
- [SE502334](#) (REMAN FOR [RE509807](#) (65DX (65DY) (65EL) (65ZL))
- [SE502333](#) (REMAN FOR [RE509435](#) (65AC (65EB) (65C3) (65C4))
- [SE502226](#) (REMAN FOR [RE509435](#) (65EC))
- [SE502159](#) (REMAN FOR [RE509807](#) (65EL (65ZL))
- [SE502380](#) (REMAN FOR [RE515555](#) (65EP))
- [SE502382](#) (REMAN FOR [RE516446](#) (65GG (65GH) (65GJ))
- [SE502236](#) ((65GL) (65GM) (65GN) )
- [SE502232](#) (REMAN FOR [RE516653](#) (65GQ (65GR))
- [SE502171](#) (REMAN FOR [RE516660](#) (65GT (65GU) (65GV) (65ZK))
- [SE501673](#) (REMAN FOR [RE516447](#) (65KZ))

### ALTERNATOR



- [SE501341](#) (REMAN FOR [RE537146](#) (24V, 50A) (3104) (3142))
- [SE501342](#) (REMAN FOR [TY24485](#) (12V, 95A) (3107))
- [SE502628](#) (REMAN FOR [RE533654](#) (12V, 120A) (3108))
- [SE502626](#) (REMAN FOR [RE533516](#) (12V, 75A) (3109) (3111) (3138) (3139))
- [SE501387](#) (REMAN FOR [AT173624](#) (12V, 65A) (3111) (3138))
- [SE501823](#) (REMAN FOR [RE506196](#) (12V, 55A) (3115) (3122))
- [SE501348](#) (REMAN FOR [AT208541](#) (24V, 80A) (3125))
- [SE502625](#) (REMAN FOR [DZ117503](#) (24V, 140A) (3127))
- [RM100224](#) (REMAN FOR [RE505895](#) (12V, 75A) (3135))
- [SE502627](#) (REMAN FOR [RE533653](#) (12V, 95A) (3140))
- [SE501343](#) (REMAN FOR [AH165975](#) (12V, 120A) (3141))
- [SE501810](#) (REMAN FOR [RE501112](#) (12V, 105A) (3190))
- [SE501832](#) (REMAN FOR [AXE28087](#) (12V, 185A) (31A1))



**JOHN DEERE**  
Genuine Parts and Service



# REMAN PARTS GUIDE

## PowerTech 6.8L 6068HF275 OEM Engine



### COMPLETE BLOCK ASSEMBLY

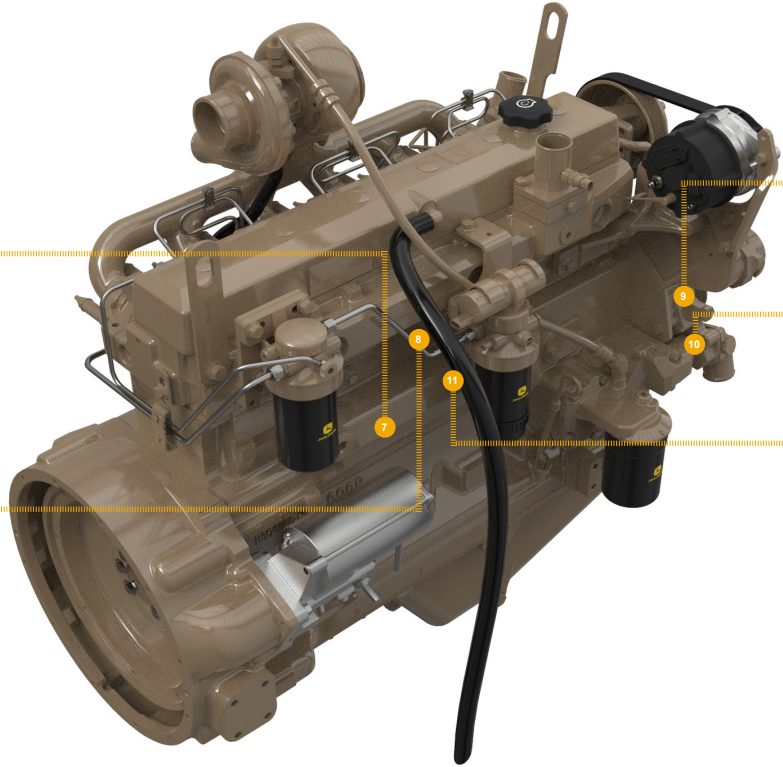
[SE501772](#) (With Auxillary Drive May Not Be As Illustrated Includes Cylinder Head With Valves And Rocker Arm Assembly, Includes Balancer Shafts, Oil Pump Assembly, Complete Gasket Kit With Front And Rear Seals)

[SE500738](#) (With Auxillary Drive May Not Be As Illustrated Includes Cylinder Head With Valves And Rocker Arm Assembly, Includes Balancer Shafts, Oil Pump Assembly, Complete Gasket Kit With Front And Rear Seals)



### CYLINDER HEAD

[SE501581](#) (REMAN FOR [RE57489](#) (5107))



### WATER PUMP

[SE501609](#) (REMAN FOR [RE505980](#) (4423) (4425) (4426))



### OIL PUMP

[SE501814](#) (REMAN FOR [DZ100057](#) (5001) (5018))



### CRANKSHAFT

[SE501655](#) (REMAN FOR [RE505921](#) (4712))

