



# REPLACEMENT PART GUIDE

## 6068HB450 PowerTech PVS 6.8L Liebherr OEM Engine (TREM 4)



### PRIMARY FUEL FILTER

[DZ115391](#) (35LD)

### FINAL FUEL FILTER

[DZ115392](#) (35LD)

500 hrs of operation or every 12 months.



### OCV FILTER

[DZ105100](#) (29BW)

1500 hours of operation.



### OIL FILTER

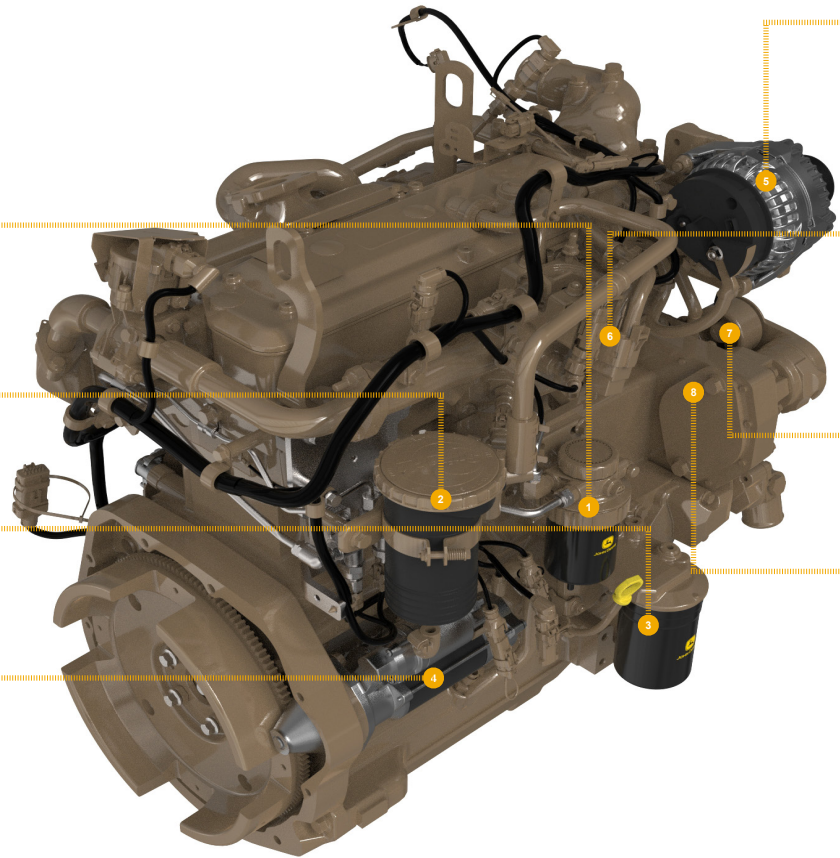
[RE539279](#) (5970)

500 hrs of operation or every 12 months.



### STARTER

[RE549230](#) (24V, PA90L) (30AU) INCLUDING SAFETY SIGN, LABEL, COVER



### ALTERNATOR

[RE558676](#) (24V, 100A) (31AD)



### SHORT BLOCK ASSEMBLY

[DZ109872](#)

Also order crank damper, engine gasket kit, dipstick tube, oil pump, cylinder head bolt kit, crank wheel, (1) DZ109926 bushing, (1) DZ109927 valve, (1) DZ106855 spring, (1) DZ109925 fitting plug, (1) R121043 valve, (1) R111137 spring, and parts from the short block hardware kit as needed.



### CRANKSHAFT PULLEY WITH DAMPENER

[RE541578](#) (OD = 188 mm) (1343)



### FAN BELT

[DZ118886](#) (LGTH = 2065 mm) (24LU)



### DIESEL EXHAUST FLUID INLINE FILTER

[DZ124403](#) (61PK)

8000 hrs of operation or every 36 months.



### DOSING UNIT PUMP FILTER

[DZ114640](#) (61PK)

4500 hrs of operation or every 36 months.



**JOHN DEERE**

Genuine Parts and Service



# REMAN PARTS GUIDE

## 6068HB450 PowerTech PVS 6.8L Liebherr OEM Engine (TREM 4)

### COMPLETE BLOCK ASSEMBLY

[DZ123557](#)

May not be as illustrated. Includes cylinder head with valves and rocker arm assembly, balancer shafts, oil pump assembly, complete gasket kit with front and rear seals.

### CONNECTING ROD

[SE501094](#) (REMAN FOR [RE500608](#)) (4865)

### STARTER

[SE502823](#) (REMAN FOR [RE549230](#))  
(24V, PA90L) (30AU)

### CONTROLLER

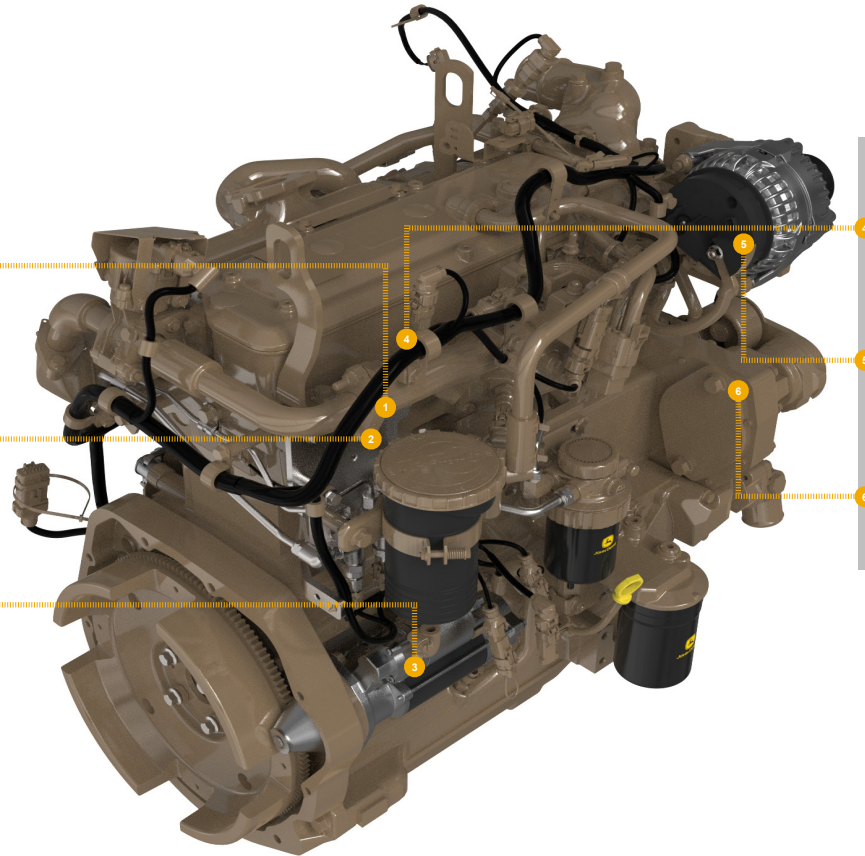
[RM100131](#) (REMAN FOR [RE551059](#))  
(LEVEL 33) (84RG)

### ALTERNATOR

[SE502563](#) (REMAN FOR [RE558676](#))  
(24V, 100A) (31AD)

### WATER PUMP

[SE502636](#) (REMAN FOR [RE539091](#)) (2050)



**JOHN DEERE**  
Genuine Parts and Service