

REPLACEMENT PARTS GUIDE

4045HSG21 PowerTech PVX 4.5L SDMO OEM Engine (Non-Certified)



ALTERNATOR

[RE533516](#) (12V, 75A) (3109)



STARTER MOTOR

[RE546868](#) (12V, 3.2KW) (30BA)



OIL FILTER

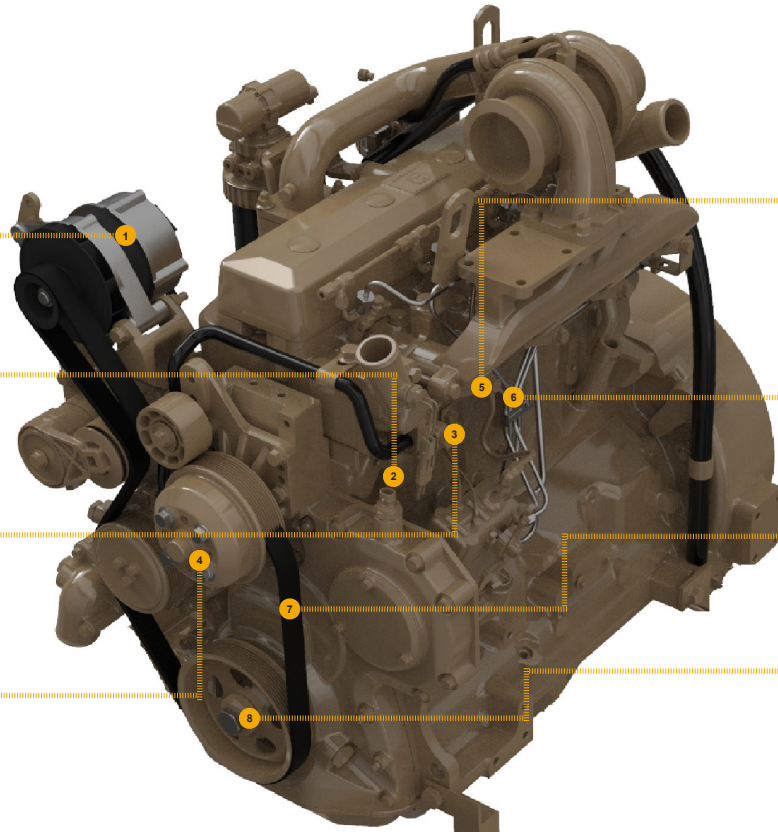
[DZ112581](#) (880R)

Contact To SDMO Dealer For Service
Replace 500 Hours of Operation or Every
12 Months.



FAN PULLEY

[R128658](#) (OD = 140 mm) (8604)



FINAL FUEL FILTER

[DZ111796](#) (35JU)

Contact To SDMO Dealer For Service
Replace 500 Hours of Operation or Every
12 Months.



SHORT BLOCK ASSEMBLY

[DZ120773](#)

Also order Cylinder Head Bolts, Engine Gasket
Kit, Flywheel Bolts, and parts from Short Block
Hardware List as necessary.



FAN BELT

[DZ119059](#) (LGTH = 1515 mm) (24BP)



CRANKSHAFT PULLEY

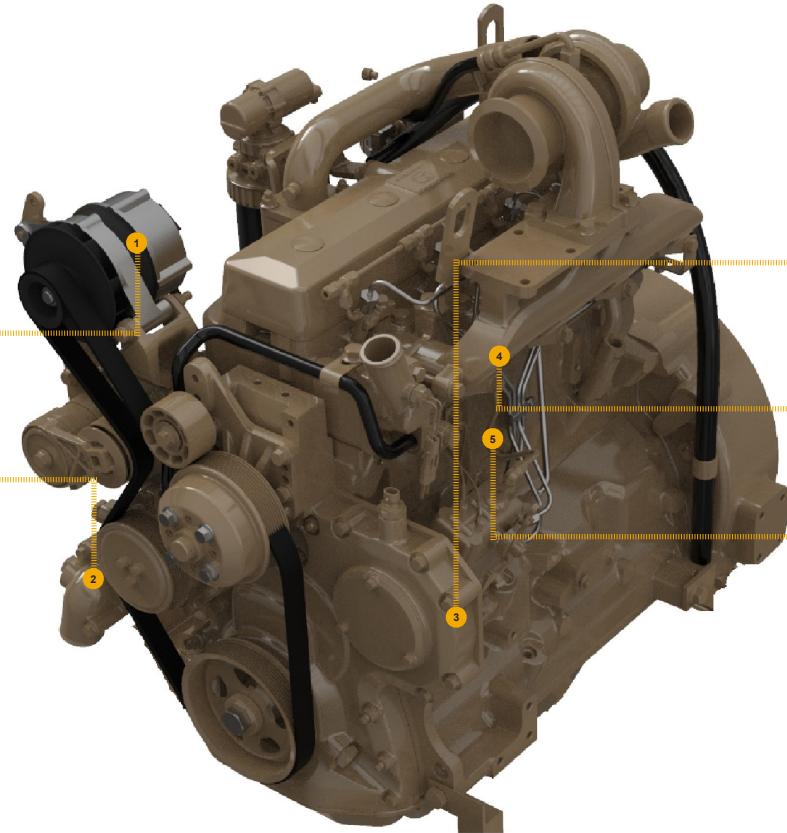
[R503880](#) (OD = 189 mm) (1327)



JOHN DEERE
Genuine Parts and Service

REMAN PARTS GUIDE

4045HSG21 PowerTech PVX 4.5L SDMO OEM Engine (Non-Certified)



ALTERNATOR

[SE502626](#) (REMAN FOR [RE533516](#))
(12V, 75A) (3109)



WATER PUMP

[SE501610](#) (REMAN FOR [RE546917](#)) (4429)



OIL PUMP

[SE501814](#) (REMAN FOR [DZ100057](#)) (5001)



CONNECTING RODS

[SE501094](#) (REMAN FOR [RE500608](#)) (48AL)



CYLINDER HEAD

[SE501806](#) (REMAN FOR [RE531088](#)) (5127)



JOHN DEERE
Genuine Parts and Service