



REPLACEMENT PART GUIDE

4045TFS70 PowerTech 4.5L (12-24V 1500RPM) Genset OEM SDMO Engine



FAN BELT

[DZ119059](#) (LGTH= 1515mm) (240B)



SHORT BLOCK ASSEMBLY

[RE520376](#) (ALSO ORDER [RE527042](#) AND [DD15664](#)) (USE WITH 4823)



FUEL FILTER

[RE62418](#) (3563)

500 hrs of operation or every 12 months.



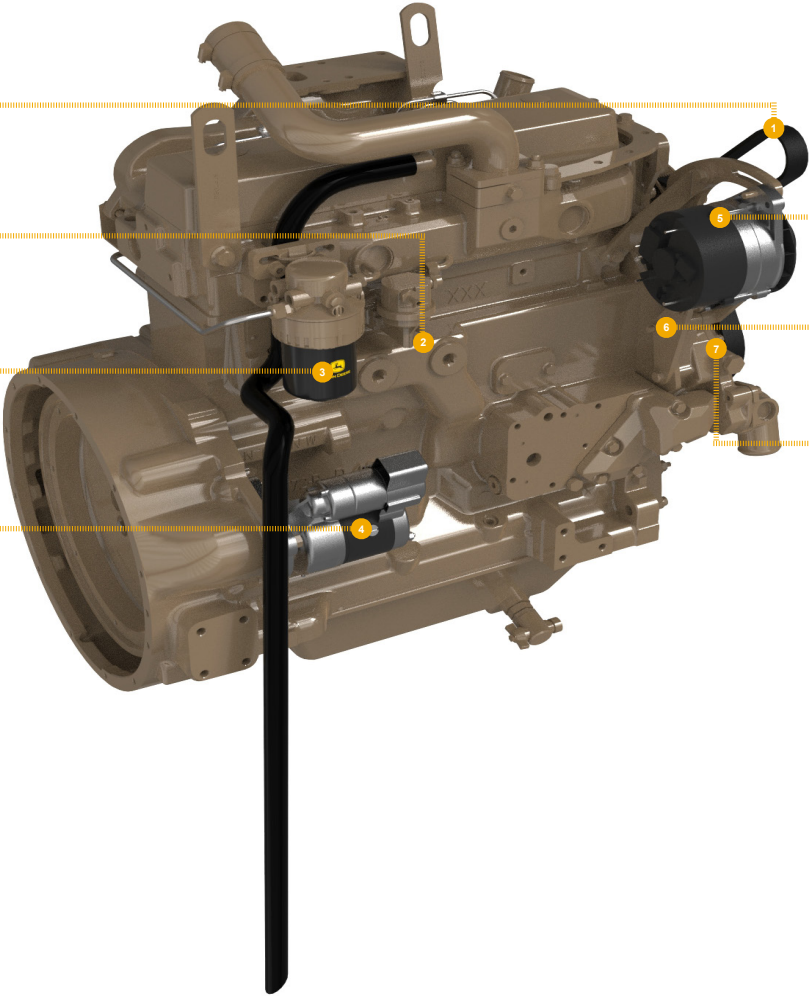
STARTER

[RE540301](#) (12 V, 2.5 KW) (3005)

[RE523502](#) (ISKRA, 12V, 4.2KW, RH) (3062)

[DZ110083](#) (ISKRA, 24V, 4KW, RH3) (3067)

[RE546868](#) (ISKRA, 3.2KW, 12V, RH) (30BA)



ALTERNATOR

[RE533516](#) (ISKRA, 12V, 75A) (3109)

[RE537146](#) (ISKRA, 28V, 75A) (3104, 3114)



CRANKSHAFT PULLEY

[R505567](#) (OD=168 mm) (1328)



FAN PULLEY

[R128660](#) (OD=168 mm) (8605)



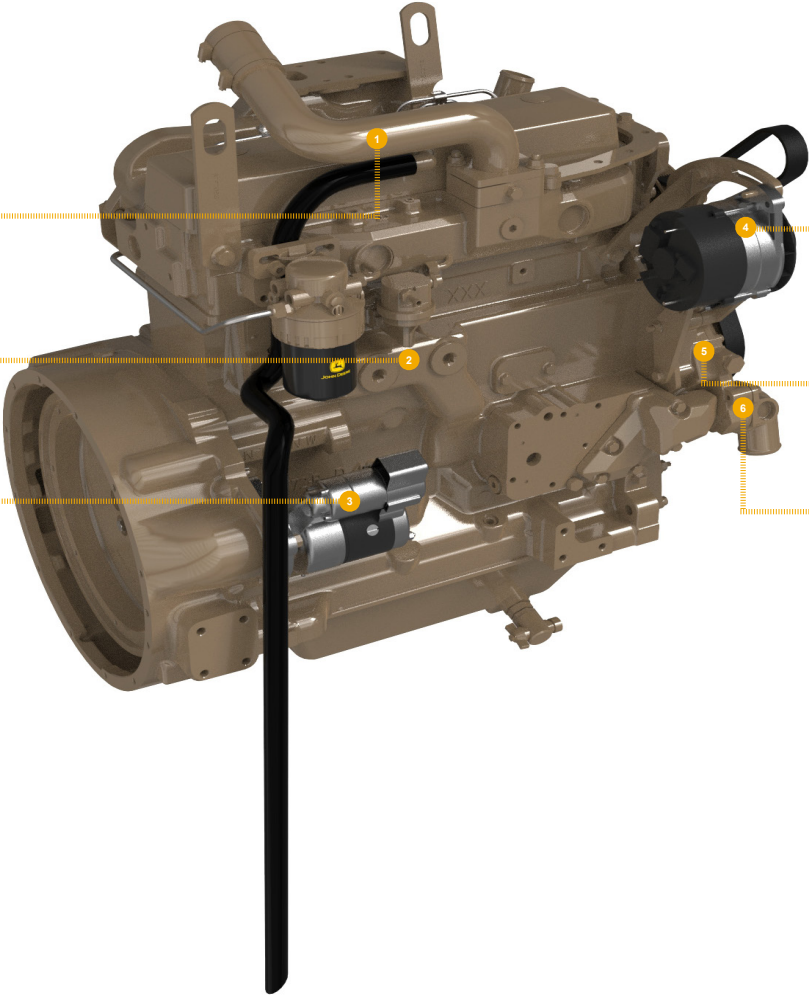
JOHN DEERE

Genuine Parts and Service



REMAN PARTS GUIDE

4045TFS70 PowerTech 4.5L (12-24V 1500RPM) Genset OEM SDMO Engine



TURBO CHARGER
[SE502378](#) (REMAN FOR [RE508973](#)) (65TN)



CYLINDER HEAD
[SE501579](#) (REMAN FOR [RE57234](#)) (5102)



STARTER
[SE502632](#) (REMAN FOR [RE523502](#)) (3062)
[SE501401](#) (REMAN FOR [RE59588](#)) (3005)



ALTERNATOR
[SE501387](#) (REMAN FOR [AT173624](#))
(12V, 65 AMP, BOSCH) (3109)
[SE501823](#) (REMAN FOR [RE506196](#))
(12V, 55 AMP, MAGNETON) (3115)



OIL PUMP
[SE501814](#) (REMAN FOR [RE504914](#)) (5001)



WATER PUMP
[SE501610](#) (REMAN FOR [RE546917](#) OR
[RE505981](#)) (4429)