



REPLACEMENT PART GUIDE

4045HSG20 PowerTech 4.5L (12V, 100KW, 1500RPM) Genset OEM SDMO Engine



FAN BELT

[DZ119059](#) (LGTH = 1515 mm) (24BP)



SHORT BLOCK ASSEMBLY

[DZ120773](#) (MARKED R534172) (ALSO ORDER CYLINDER HEAD BOLTS, ENGINE GASKET KIT, FLYWHEEL BOLTS, AND PARTS FROM SHORT BLOCK HARDWARE LIST)



FUEL FILTER

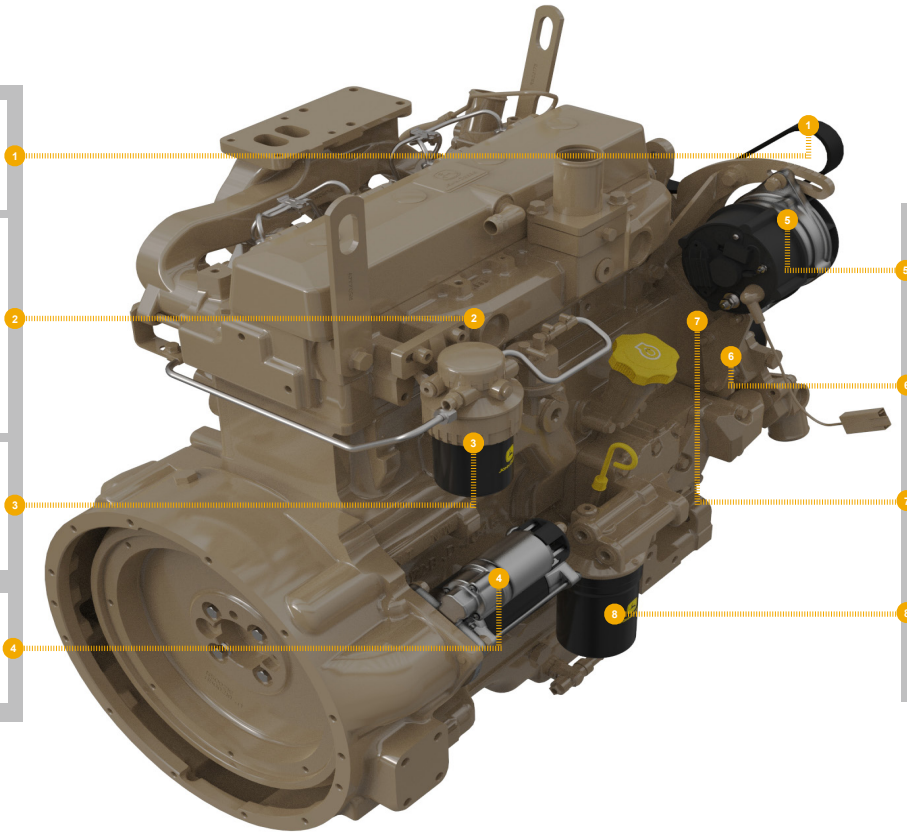
[CONTACT SDMO DEALER FOR SERVICE](#) (35JU)

500 hrs of operation or every 12 months.



STARTER

[RE546868](#) (ISKRA, 12 V, 3.2 KW) (30BA)



ALTERNATOR

[RE533516](#) (ISKRA, 12 V, 75 A) (3109)



CRANKSHAFT PULLEY

[R503880](#) (OD = 189 mm) (1327)



FAN PULLEY

[R128658](#) (OD = 140 mm) (8604)



OIL FILTER

[CONTACT SDMO DEALER FOR SERVICE](#) (880R)

500 hrs of operation or every 12 months.



JOHN DEERE

Genuine Parts and Service



REMAN PARTS GUIDE

4045HSG20 PowerTech 4.5L (12V, 100KW, 1500RPM) Genset OEM SDMO Engine



CYLINDER HEAD

[SE501806](#) (REMAN FOR [RE531088](#)) (5127)

1



CONNECTING ROD

[SE501094](#) (REMAN FOR [RE500608](#)) (48AL)

2



ALTERNATOR

[SE502626](#) (REMAN FOR [RE533516](#))
(12 V, 75 A) (3109)

3



WATER PUMP

[SE501610](#) (REMAN FOR [RE546917](#)) (4429)

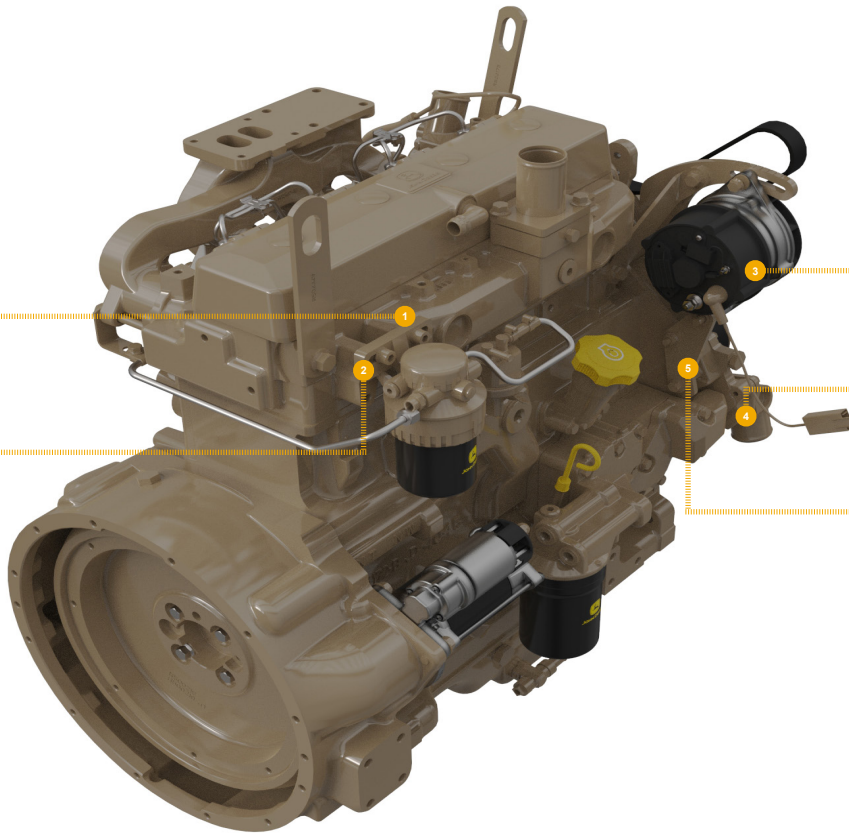
4



OIL PUMP

[SE501814](#) (REMAN FOR [DZ100057](#)) (5001)

5



JOHN DEERE
Genuine Parts and Service