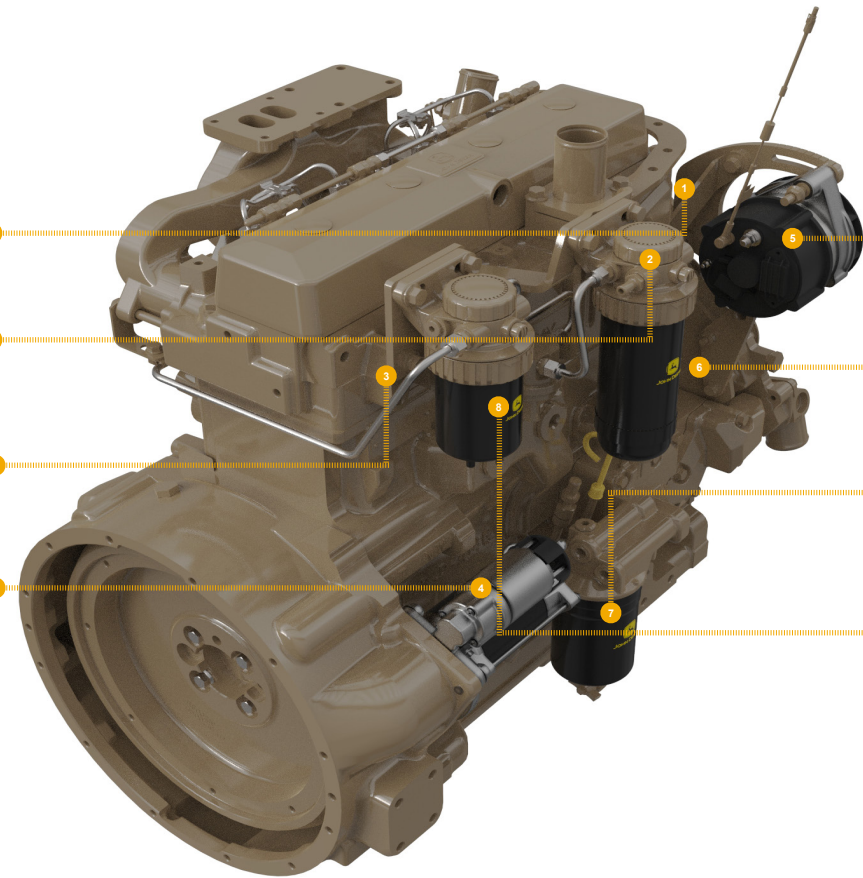




REPLACEMENT PART GUIDE

4045HFS85 PowerTech 4.5L Gen Set Motore (IT4)



FAN BELT

[DZ118763](#) (240A)

[R503814](#) (LGTH = 1475 mm) (24AX)



FAN PULLEY

[R128660](#) (OD = 168 mm) (8632)

[R128659](#) (OD = 154 mm) (8650)



SHORT BLOCK ASSEMBLY

[DZ117067](#) (MARKED R534172) (9901)



STARTER

[RE546868](#) (ISKRA, 12 V, 3.2 KW) (30BA)

[RE552251](#) (ISKRA) (30CA)



ALTERNATOR

[RE533516](#) (ISKRA, 12 V, 75 A) (3138)

[RE537146](#) (ISKRA, 24 V, 50 A) (3142)



CRANKSHAFT PULLEY

[R505567](#) (OD = 173 mm) (1328)



OIL FILTER

[RE504836](#) (ENGINE DZ22351) (88AC, 8843)

500 hrs of operation or every 12 months.



FUEL FILTER

[RE522868](#) (Secondary Fuel Filter) (35EU)

[RE541922](#) (Primary Fuel Fitter) (8189, 81BV)

500 hrs of operation or every 12 months.



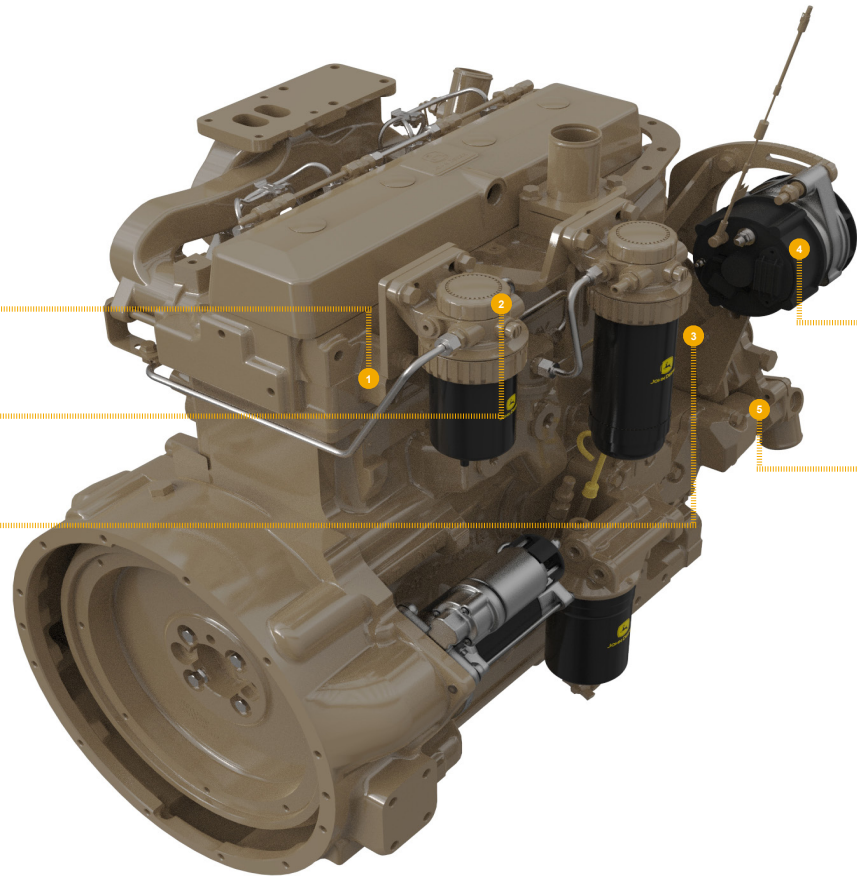
JOHN DEERE

Genuine Parts and Service



REMAN PARTS GUIDE

4045HFS85 PowerTech 4.5L Gen Set Motore (IT4)



CONNECTING ROD

[SE501096](#) (REMAN FOR [RE500002](#)) (4843)



CYLINDER HEAD

[SE501806](#) (REMAN FOR [RE531088](#)) (5127)



OIL PUMP

[SE501814](#) (REMAN FOR [DZ100057](#)) (5001)



ALTERNATOR

[SE502626](#) (REMAN FOR [RE533516](#))
(ISKRA, 12 V, 75 A) (3138)

[SE501341](#) (REMAN FOR [AT161324](#))
(BOSCH, 24 V, 45 A) (3142)



WATER PUMP

[SE501610](#) (REMAN FOR [RE546917](#) OR
[RE505981](#)) (4429)



JOHN DEERE
Genuine Parts and Service