



REPLACEMENT PART GUIDE

3029DV100 PowerTech 2.9L OEM Engine



FINAL FUEL FILTER

[RE60021](#) (35C6)

500 hrs of operation or every 12 months.



OIL FILTER

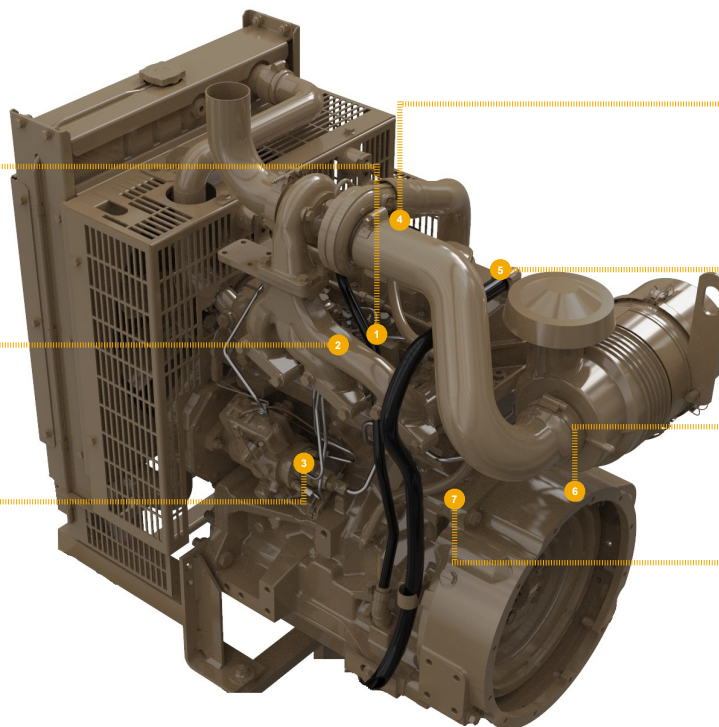
[RE519626](#) (5926)

500 hrs of operation or every 12 months.



SHORT BLOCK ASSEMBLY

[DZ102045](#) (8802)



ALTERNATOR

[RE509106](#) (14V, 65A) (3132)



STARTER

[RE519568](#) (12V, 3.2KW) (3085)

[RE546868](#) (12V, 3.2KW) (30BA)



CRANKSHAFT PULLEY

[R534716](#) (OD = 139 mm) (1348)



FAN BELT

[T23526](#) (LGTH = 1257 mm) (2401)



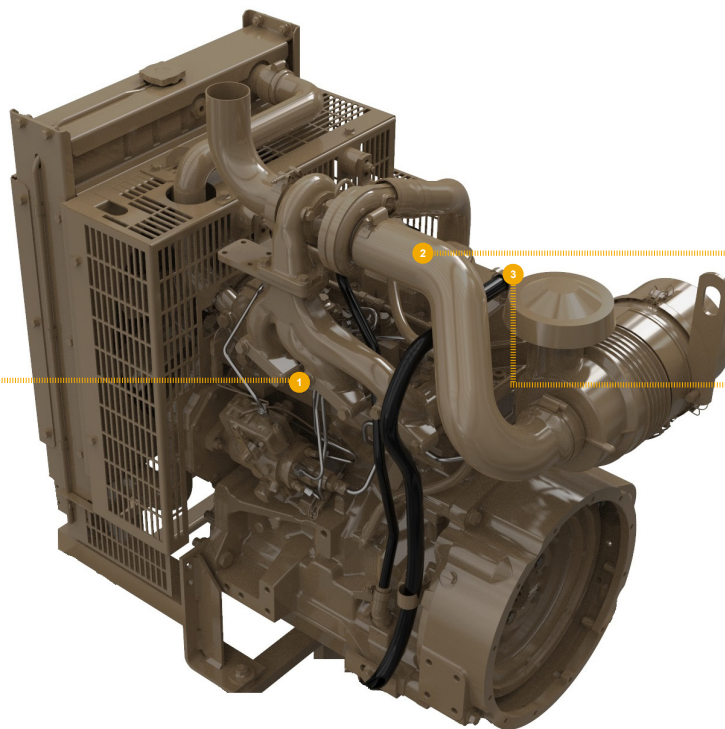
JOHN DEERE

Genuine Parts and Service



REMAN PARTS GUIDE

3029DV100 PowerTech 2.9L OEM Engine



CONNECTING ROD

[SE501571](#) (REMAN FOR [RE501674](#)) (4813)



ALTERNATOR

[SE501835](#) (REMAN FOR [RE509106](#))
(14V, 65A) (3132)



STARTER

[SE501869](#) (REMAN FOR [RE519568](#))
(12V, 3.2KW) (3085)



JOHN DEERE
Genuine Parts and Service