

903M TRACKED FELLER BUNCHER



JOHN DEERE



903M TRACKED FELLER BUNCHER

OUT HERE, ORDINARY DOESN'T CUT IT.

Work can be demanding in your neck of the woods. That's why we rely on real-world insights from customers like you to tell us what you need to succeed. A long and wide undercarriage for singular stability. Standard and long-reach boom options with choice of multiple attachments to match the application. Dual-swing drive for productivity-boosting power. Expansive visibility. A large fuel tank to keep running — and producing — longer. And a heavy-duty John Deere PowerTech™ Plus 9.0L diesel engine that delivers low total fluid consumption and high dependability. This tracked feller buncher was built to tackle your most difficult tasks.

Sure-footed stability

Reliable tractive effort enables maneuverable negotiation of difficult or steep terrain, deep snow, and swamps. Long and wide undercarriage maximizes stability in all terrain conditions.

Within easy reach

Standard 7.01-meter (23 foot) boom provides a deep cutting swath and attachment reach of 8.88 meters (29 feet 1 inch). For applications that require longer reach with less machine movement, optional 8.08-meter (26 foot 6 inch) boom provides expansive cutting reach of 9.82 meters (32 feet 3 inches).

Durable components

Thick plates and strong joints help extend the durability and wear life of our robust and field-proven booms.

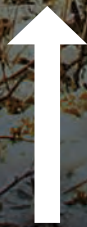
Work your way

Your choice of bunching or final felling attachments can be matched to your preferred boom option to suit a wide variety of applications.



CUT TIME

WITH OPTIONAL RAPID CYCLE SYSTEM



**MAXIMIZE
PRODUCTIVITY**

Rapid Cycle System (RCS)

Optional RCS can be tailored to individual skill levels and specific harvesting conditions, from large single-tree harvesting to high-speed, multi-stem cutting. Multiple RCS settings can be saved according to individual operator preferences.

Simplified service

Convenient access to service components helps simplify daily checks and preventative-maintenance tasks, so they get done on schedule, minimizing costly repairs down the road.

Get a handle on it

Optional undercarriage-mounted toolbox provides convenient storage for tools, saw teeth, extra saw bars, and other spare parts, eliminating extra trips back to the service truck.

903M TRACKED FELLER BUNCHER

**PUT TECHNOLOGY TO WORK
IN THE WOODS AND AT THE OFFICE.**

Coordinate your operation and your team's productivity from wherever your work takes you with John Deere Precision Forestry and our core technology solutions.

FEATURES

Core intelligence

Your John Deere Forestry machine arrives from the factory equipped with a powerful set of technologies and capabilities already built in. Each plays an important role in managing the health and performance of your overall equipment fleet:

- **JDLink™ connectivity** lets you track your equipment, see which machines are working, and know if they're being utilized properly and at maximum productivity and efficiency.
- Enabled through JDLink, **John Deere Connected Support** leverages a suite of dealer and factory tools designed to deliver increased uptime and productivity, and lower daily operating costs.
- **Remote Diagnostics and Programming Capability** within John Deere Connected Support helps your dealer warn you of any issue with your machine — often before you know of the problem yourself — and initiate solutions without charging you for a technician's visit to your jobsite.
- Our advanced dual approach to **Machine Health** combines the expertise of the technology specialists at our dealerships with the data specialists at our central Machine Health Monitoring Center (MHMC). As part of John Deere Connected Support, information from thousands of connected machines flows through the MHMC, enabling our specialists to identify trends and develop new and improved preventative-maintenance and repair protocols.

Precision Forestry

Take the guesswork out of planning, implementing, and monitoring your logging operation. The tools of our production-planning and -tracking system expand on the core technology features that come standard in every John Deere Forestry machine to unleash a powerful new array of possibilities:

- **TimberMatic™ Maps** is an innovative onboard software solution that helps you reimagine your jobsites. Real-time production views, optimized routes, and shared wireless connections between machines make it easier than ever before to take your forestry operation to the next level.
- **TimberManager™** is a web-based solution for PCs, tablets, and mobile phones that allows you to follow jobsite progress. Combined with TimberMatic Maps, this software provides complete visibility of your operation — from land harvested to specific machines — so you can streamline communication, analyze tasks, and increase productivity:
 - **Remote Monitoring** keeps tabs on the health and performance of your fleet from wherever you are.
 - **Precise Progress Tracking** lets you set goals for your team to meet throughout the day.
 - **Live Production View** displays progress including tree count, area harvested, and estimated tonnage.
 - **Simplified Mapping** of machine data and GPS-based location tracking shows precise stem and log counts.
 - **Real-Time Updates** let you adjust course or eliminate tasks if needed to maintain steady workflow.
 - **Fleet Optimization** goes beyond machine management to help improve the efficiency of your business.



**JOHN DEERE
CONNECTED SUPPORT™**

CONNECTS YOUR OPERATION
TO DEALER & FACTORY EXPERTISE

FIND YOUR FELLING HEAD AND CUT TO THE BOTTOM LINE

Designed to run on swing-to-tree tracked feller bunchers like the 903M, these flexible felling heads can more than capably help you take it on.



FR21B



FR22B



FS22B



FR50



FS50



T
INE.

FELLING HEADS

Well within your reach

From small stems to big timber, softwood to hardwood, level or sloped ground, John Deere has a disk saw felling head that's designed for your job.

Cut and accumulate

The **FR21B**[†] is a lighter-weight, high-rotation felling head designed for both select- and final-harvest applications. With excellent cut and accumulation capacity, this felling head has been optimized for small to mid-sized timber.

Robust flexibility

Available in both limited and high rotation, the **FS22B**^{*} and **FR22B**^{*} are our most versatile felling heads. They're robust enough to handle larger, mature trees, with the tree-handling performance to also efficiently accumulate mid-sized timber.

Proven reliability

Delivering efficient, multi-stem high-accumulation performance with huge pocket and tall horns, and available in both limited and high-rotation wrist, **FS50**^{*} and **FR50**^{*} felling heads are best suited for first and second thinnings as well as high-production plantation harvests.

Choose the correct felling head for your 903M Tracked Feller Buncher.



6-14"

Plantation Thinning

Select Cut

High Accumulation

Short-Mid-Height
Timber

FS50
FR50



10-18"

Select Cut

Final Felling

Mid-High
Accumulation

Mid-Height Timber

FR21B



14-22"

Select Cut

Final Felling

Mid Accumulation

Mid-Height-
Tall Timber

FS22B
FR22B

^{*}For 7.01-meter (23 foot) boom only. / [†]For 8.08-meter (26 foot 6 inch) boom only.

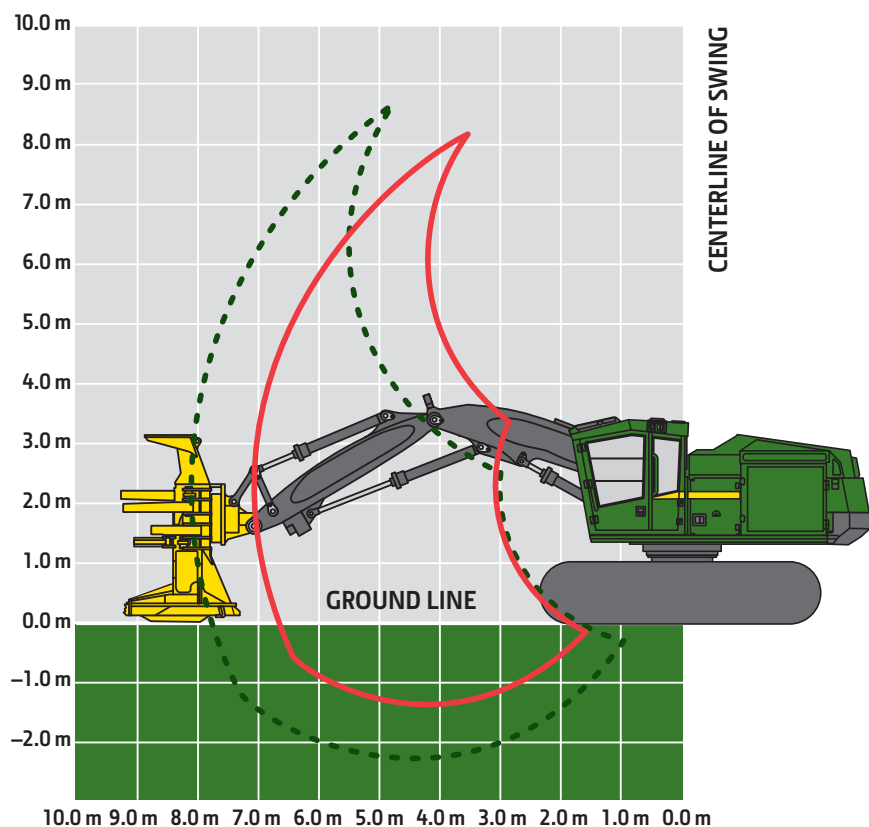
903M TRACKED FELLER BUNCHER SPECIFICATIONS

Engine		
Manufacturer and Model	John Deere PowerTech™ Plus G090PSS	John Deere PowerTech Plus 6090H
Non-Road Emission Standard	EPA Final Tier 4/EU Stage V	EPA Tier 3/EU Stage IIIA / EPA Tier 2/EU Stage II
Displacement	9.0 L (549 cu. in.)	9.0 L (549 cu. in.)
Peak Power at 1,900 rpm	246 kW (330 hp)	246 kW (330 hp)
Net Peak Torque at 1,500 rpm	1392 Nm (1,027 lb.-ft.)	1527 Nm (1,126 lb.-ft.)
Cooling		
Fan Type	Suction type, hydraulically driven, variable speed, reversing	
Hydraulics		
Closed center, pressure compensated, load sense		
Main Pump	Variable-displacement axial piston	
Maximum Rated Flow	532 L/min. (141 gpm)	
Continuous Saw Pump	Dedicated variable-displacement axial piston	
Maximum Rated Flow	114 L/min. (30 gpm)	
Attachment Pump	Dedicated variable-displacement axial piston	
Maximum Rated Flow	135 L/min. (36 gpm)	
Oil Filtration	2 main return filters, 10-micron return with bypass, 1 case-drain strainer, 25 micron	
Electrical		
	<i>EPA Final Tier 4/EU Stage V</i>	<i>EPA Tier 3/EU Stage IIIA / EPA Tier 2/EU Stage II</i>
Voltage	24 volt	24 volt
Number of Batteries	2 x 12 volt	2 x 12 volt
Alternator Rating	200 amp	100 amp standard / 130 amp optional
Work Lights	LED (13)	LED (13)
Service Lights	LED (3)	LED (3)
Undercarriage		
Integral track guides, thick high-abrasion-resistant material, ramp angles, hydraulic track adjustment		
Track Size	U7 Extreme Duty (EXD)	
Track Chain	215.9 mm (8.5 in.)	
Number of Track Links (per side)	47	
Lower Rollers (per side)	9	
Carrier Slides / Rollers (per side)	2	
Travel Performance		
Travel Speed, Forward and Reverse		
High	4.2 km/h (2.6 mph)	
Low	2.1 km/h (1.3 mph)	
Tractive Effort	322 kN (72,300 lbf)	
Rotating Upper		
Swing System, Standard		
Swing Speed (maximum)	6.7 rpm	
Swing Torque	80 170 Nm (59,130 lb.-ft.)	
Swing Brake	Sealed wet multi-disc, manually applied/released	
Serviceability		
	<i>EPA Final Tier 4/EU Stage V</i>	<i>EPA Tier 3/EU Stage IIIA / EPA Tier 2/EU Stage II</i>
Fuel Tank	1080 L (285 gal.)	1080 L (285 gal.)
Diesel Exhaust Fluid (DEF) Tank	42 L (11 gal.)	N/A
Ground Pressure (SAE J1309)		
Includes standard equipment, 7.01-m (23 ft.) boom, half-full fuel tank, and all fluids, less attachment		
	<i>EPA Final Tier 4/EU Stage V</i>	<i>EPA Tier 3/EU Stage IIIA / EPA Tier 2/EU Stage II</i>
Undercarriage	U7 EXD	
Counterweight	Small	
Boom	7.01 m (23 ft.)	
Double Grouser		
610 mm (24 in.)	59.9 kPa (8.7 psi)	59.3 kPa (8.6 psi)
762 mm (30 in.)	50.3 kPa (7.3 psi)	49.8 kPa (7.2 psi)
Single Grouser		
610 mm (24 in.)	59.8 kPa (8.7 psi)	59.1 kPa (8.6 psi)
711 mm (28 in.)	52.0 kPa (7.5 psi)	51.4 kPa (7.5 psi)
Triple Grouser (soft terrain only)		
914 mm (36 in.)	42.8 kPa (6.2 psi)	42.3 kPa (6.1 psi)

While general information, pictures, and descriptions are provided, some illustrations and text may include product options and accessories NOT AVAILABLE in all regions, and in some countries products and accessories may require modifications or additions to ensure compliance with the local regulations of those countries.

Operating Weight		903M	
Includes standard equipment, 7.01-m (23 ft.), 610-mm (24 in.) double-grouser tracks, half-full fuel tank, and all fluids, less attachment			
	<i>EPA Final Tier 4/EU Stage V</i>	<i>EPA Tier 3/EU Stage IIIA / EPA Tier 2/EU Stage II</i>	
Undercarriage	U7 EXD	U7 EXD	
Counterweight	Small	Small	
Boom	7.01 m (23 ft.)	7.01 m (23 ft.)	
Approximate Weight — Base Machine	31 330 kg (69,080 lb.)	30 971 kg (68,290 lb.)	
Boom Performance			
7.01-m (23 ft.) Boom	With FR22B		
Maximum Reach (to tip of saw blade)	8.88 m (29 ft. 1 in.)		
Minimum Reach (to tip of saw blade)	4.87 m (15 ft. 11 in.)		
Cutting Swath	4.01 m (13 ft. 2 in.)		
Lift Option	<i>Standard Without Rapid Cycle System (RCS)</i>		<i>High-Lift Option With RCS</i>
Lift Capacity, Bare Pin at Full Reach	5890 kg (12,990 lb.)		7260 kg (16,010 lb.)
Lift Capacity, Bare Pin at 6.1 m (20 ft.)	7680 kg (16,930 lb.)		9370 kg (20,660 lb.)
8.08-m (26 ft. 6 in.) Boom	With FR21B		
Maximum Reach (to tip of saw blade)	9.82 m (32 ft. 3 in.)		
Minimum Reach (to tip of saw blade)	4.64 m (15 ft. 3 in.)		
Cutting Swath	5.18 m (17 ft. 0 in.)		
Lift Option	<i>Standard With and Without RCS</i>		
Lift Capacity, Bare Pin at Full Reach	4890 kg (10,780 lb.)		
Lift Capacity, Bare Pin at 6.1 m (20 ft.)	7470 kg (16,470 lb.)		

903M Tracked Feller Buncher

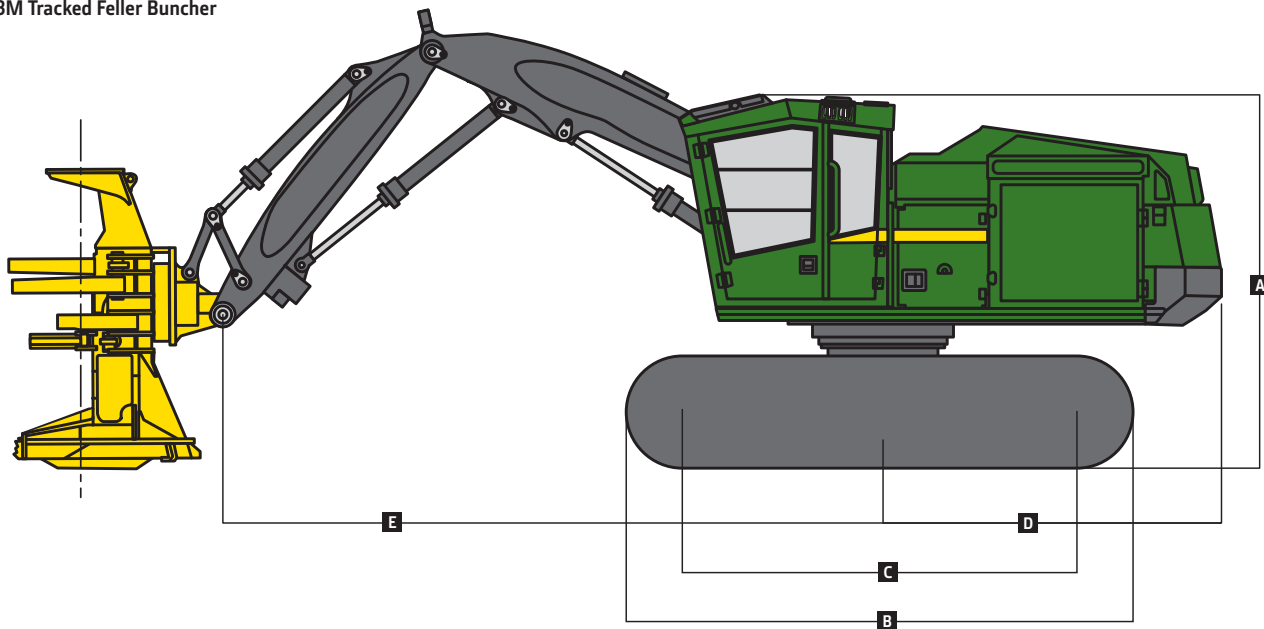


While general information, pictures, and descriptions are provided, some illustrations and text may include product options and accessories NOT AVAILABLE in all regions, and in some countries products and accessories may require modifications or additions to ensure compliance with the local regulations of those countries.

903M TRACKED FELLER BUNCHER SPECIFICATIONS (continued)

Attachment Information		903M				
		FR21B (8.08-m [26 ft. 6 in.] boom only)	FS22B (7.01-m [23 ft.] boom only)	FR22B (7.01-m [23 ft.] boom only)	FS50 (7.01-m [23 ft.] boom only)	FR50 (7.01-m [23 ft.] boom only)
Attachment						
Maximum Cutting Capacity		545 mm (21.5 in.)	559 mm (22.0 in.)	559 mm (22.0 in.)	508 mm (20.0 in.)	508 mm (20.0 in.)
Maximum Accumulation Capacity		0.46 m ² (5.0 sq. ft.)	0.48 m ² (5.2 sq. ft.)	0.48 m ² (5.2 sq. ft.)	0.64 m ² (6.9 sq. ft.)	0.64 m ² (6.9 sq. ft.)
Opening at Front of Housing		1180 mm (46.5 in.)	1280 mm (50.4 in.)	1280 mm (50.4 in.)	870 mm (34.0 in.)	870 mm (34.0 in.)
Blade Diameter		1372 mm (54.0 in.)	1422 mm (56.0 in.)	1422 mm (56.0 in.)	1346 mm (53.0 in.)	1346 mm (53.0 in.)
Number of Teeth		18	18	18	18	18
Saw rpm		1,150 rpm	1,150 rpm	1,150 rpm	1,250 rpm	1,250 rpm
Wrist Rotation		302 deg.	30 deg.	312 deg.	30 deg.	310 deg.
Width at Saw Housing		1550 mm (61.0 in.)	1620 mm (63.8 in.)	1620 mm (63.8 in.)	1660 mm (65.0 in.)	1660 mm (65.0 in.)
Height		2820 mm (111.0 in.)	3068 mm (120.8 in.)	3068 mm (120.8 in.)	2850 mm (112.0 in.)	2850 mm (112.0 in.)
Weight (including adapter and wrist)		3140 kg (6,920 lb.)	3550 kg (7,830 lb.)	3840 kg (8,470 lb.)	3370 kg (7,430 lb.)	3660 kg (8,070 lb.)
Machine Dimensions		U7 EXD				
A Overall Height With 7.01-m (23 ft.) Boom						
Top of Cab With Flat Skylight		3.55 m (11 ft. 8 in.)				
Top of Cab With Peaked Skylight		3.77 m (12 ft. 4 in.)				
Top of Boom, Extended, Attachment Vertical		3.86 m (12 ft. 8 in.)				
B Overall Track Length		4.90 m (16 ft. 1 in.)				
C Track Length (idler to sprocket center)		3.83 m (12 ft. 7 in.)				
D Tail Swing (from swing center)		3.18 m (10 ft. 5 in.)				
E Boom Reach (to attachment pin)						
7.01-m (23 ft.) Boom						
Maximum		7.01 m (23 ft. 0 in.)				
Minimum		3.00 m (9 ft. 10 in.)				
Cutting Swath		4.01 m (13 ft. 2 in.)				
8.08-m (26 ft. 6 in.) Boom						
Maximum		8.08 m (26 ft. 6 in.)				
Minimum		2.90 m (9 ft. 6 in.)				
Cutting Swath		5.18 m (17 ft. 0 in.)				

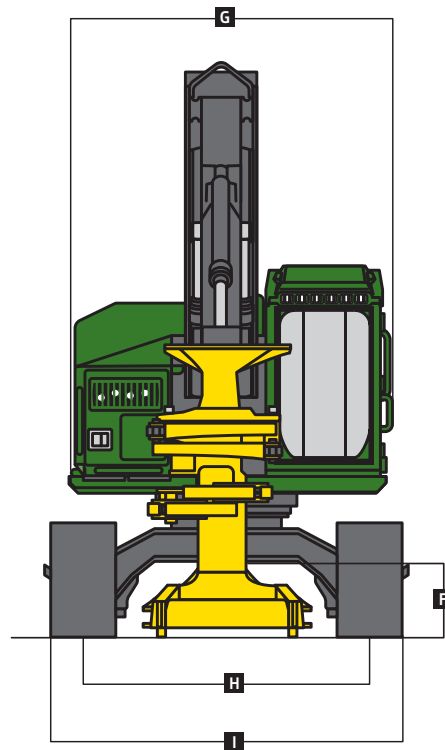
903M Tracked Feller Buncher



While general information, pictures, and descriptions are provided, some illustrations and text may include product options and accessories NOT AVAILABLE in all regions, and in some countries products and accessories may require modifications or additions to ensure compliance with the local regulations of those countries.

Machine Dimensions <i>(continued)</i>		903M
Standard Undercarriage <i>(continued)</i>		U7 EXD
F	Ground Clearance	
	Single Grouser	779 mm (31 in.)
	Double Grouser	756 mm (30 in.)
	Triple Grouser	738 mm (29 in.)
G	Upperstructure Width	
	Without Optional Walkway	3.05 m (10 ft. 0 in.)
	With Optional Walkway	3.20 m (10 ft. 6 in.)
H	Track Gauge	2.69 m (8 ft. 10 in.)
I	Width Over Tracks	
	610-mm (24 in.) Track Shoes	3.30 m (10 ft. 10 in.)
	711-mm (28 in.) Track Shoes	3.40 m (11 ft. 2 in.)
	760-mm (30 in.) Track Shoes	3.45 m (11 ft. 4 in.)
	914-mm (36 in.) Track Shoes	3.61 m (11 ft. 10 in.)

903M Tracked Feller Buncher





MTFB903U (22-04)

Contact us to learn more.

JohnDeere.com/FellerBunchers
JohnDeere.ca/FellerBunchers



JOHN DEERE