

160 P

Excavator



JOHN DEERE





FITS THE WAY YOU WORK

Whether you're moving up from a backhoe to an excavator as you build your business or adding an agile niche machine that's the next big thing for your fleet, the reimagined 160 P-Tier Excavator can meet your needs and exceed your expectations. Dig footings, load trucks, install utilities — you name it. With customer-inspired standards including control pattern-change valve that eases operation and fuel-shutoff lever for conserving critical resources, plus options like deluxe LED lighting package to illuminate your surroundings, this precision performer can fit in more work on a wide variety of jobsites.

T60 P-TIER EXCAVATOR

FEATURES



Powerful technology

John Deere Powerwise Plus™ technology delivers on-demand power. Precise pump flow when pilot controls are metered provides reliable, fuel-efficient machine performance.

In your comfort zone

Quiet and spacious cab features standard rearview camera for enhanced awareness. Sculpted mechanical-suspension high-back seat that slides together or independent of the joystick console helps keep operators comfortably supported.

Know as you go

Multi-language LCD monitor and rotary dial provide intuitive access to a wealth of information and functions. Just turn and tap to select work mode, access operating info, check maintenance intervals, source diagnostic codes, adjust cab temperature, and tune the radio. Plus much more.

Effortless control

Ergonomically correct short-throw pilot joysticks enable smooth, precise fingertip control with less movement or effort. Push buttons in the right lever allow predictable control of auxiliary hydraulic flow for operating attachments. Optional sliding switch provides proportional speed control.

See it like never before

Integrated into the main monitor, optional right rear left camera system with additional LED surround lighting work together to supplement 270-degree visibility of the area around the machine, even in low-light conditions.



OPTIONAL CAMERA SYSTEM
**EXPANDS VISIBILITY
AROUND MACHINE**

Keep moving forward

Hydraulic single-pedal propel system is a factory-installed option that enables straight-line machine tracking without operator articulation of both hand levers and both foot pedals.

The choice is yours

Choose from a variety of track widths, arm lengths, buckets, high-flow auxiliary hydraulic packages, and other options to suit the application.

Boost your leverage

When the digging gets tough, simply press the standard power-boost button on the right-hand control for more hydraulic muscle.

Tough enough

Large idlers, rollers, and strutted links enable the sealed and lubricated undercarriage to withstand and command. Track-frame undercovers help keep debris from accumulating. Three welded bulkheads within the boom resist torsional stress.

Light things up

Standard LED work lights with optional deluxe LED lights at cab front and rear, boom, and toolbox shine when your workday extends beyond daylight. They use less power, output more light, and last longer than halogens, and are easy to replace when necessary.

You'll be a fan

Highly efficient heavy-duty cooling system keeps things cool, even in tough environments or high altitudes. Cool-on-demand suction-type fan helps reduce material buildup and maintenance.

Change things up

Integrated hydraulic coupler-ready option enables efficient attachment changeovers — especially helpful for work with underground utilities.



160 P-TIER EXCAVATOR



Durable by design

Centralized lubrication at arm tip and improved front joint-bushing design relocate the grease-entry point to push contamination out from the center, simplifying routine greasing to boost joint life.

It hardly seems like work

Large fuel tank and 500- and 5,000-hour engine and hydraulic oil-service intervals decrease downtime for routine maintenance. Fluid-level sight gauges are conveniently located and can be checked at a glance.

Precision Construction

This suite of construction technology delivers **Productivity Solutions** to help you get more done, more efficiently. In-base JDLink™ connectivity provides machine location, utilization data, and alerts to help you maximize productivity and efficiency. To maximize uptime and lower costs, JDLink also enables **John Deere Connected Support™**. Dealers use Expert Alerts based on data from thousands of connected machines to proactively address conditions that may otherwise likely lead to downtime. Your dealer can also monitor machine health and leverage remote diagnostics and programming capability to further diagnose problems and even update machine software without a time-consuming trip to the jobsite.*

*Availability varies by region. Options not available in every country.



While general information, pictures, and descriptions are provided, some illustrations and text may include product options and accessories NOT AVAILABLE in all regions, and in some countries products and accessories may require modifications or additions to ensure compliance with the local regulations of those countries.

Engine	160 P-TIER		
	<i>Base engine for use in the U.S., U.S. Territories, and Canada</i>		
Manufacturer and Model	John Deere PowerTech™ PWS 4.5 L		
Non-Road Emission Standard	EPA Final Tier 4/EU Stage IV		
Net Rated Power (ISO 9249)	90 kW (122 hp) at 2,200 rpm		
Cylinders	4		
Displacement	4.5 L (275 cu. in.)		
Off-Level Capacity	70% (35 deg.)		
Aspiration	Series turbocharged, air-to-air charge-air cooler		
Cooling			
	Cool-on-demand hydraulic-driven, suction-type fan with remote-mounted drive		
Powertrain			
	2-speed propel with automatic shift		
Maximum Travel Speed			
Low	3.4 km/h (2.1 mph)		
High	5.3 km/h (3.3 mph)		
Drawbar Pull	17 250 kg (38,030 lb.)		
Hydraulics			
	Open center, load sensing		
Main Pumps	2 variable-displacement axial-piston pumps		
Maximum Rated Flow	191 L/m (50 gpm) x 2		
Pilot Pump	1 gear		
Maximum Rated Flow	33.6 L/m (8.9 gpm)		
Pressure Setting	3930 kPa (570 psi)		
System Operating Pressure			
Circuits			
Implement	34 336 kPa (4,980 psi)		
Travel	34 336 kPa (4,980 psi)		
Swing	34 336 kPa (4,980 psi)		
Power Boost	38 000 kPa (5,511 psi)		
Controls	Pilot levers, short stroke, low-effort hydraulic pilot controls with shutoff lever		
Cylinders			
	<i>Bore</i>	<i>Rod Diameter</i>	<i>Stroke</i>
Boom (2)	110 mm (4.33 in.)	80 mm (3.15 in.)	1110 mm (43.70 in.)
Arm (1)	120 mm (4.72 in.)	90 mm (3.54 in.)	1365 mm (53.74 in.)
Bucket (1)	105 mm (4.13 in.)	75 mm (2.95 in.)	935 mm (36.81 in.)
Electrical			
Number of Batteries (12 volt)	2		
Battery Capacity	950 CCA		
Alternator Rating	100 amp		
Work Lights	2 LED (1 on left side of boom, 1 on frame)		
Undercarriage			
Rollers (per side)			
Carrier	2		
Track	7		
Shoes (per side)	43		
Track			
Adjustment	Hydraulic		
Guides	Front and center		
Chain	Sealed and lubricated		

160 P-TIER EXCAVATOR SPECIFICATIONS

160

P

While general information, pictures, and descriptions are provided, some illustrations and text may include product options and accessories NOT AVAILABLE in all regions, and in some countries products and accessories may require modifications or additions to ensure compliance with the local regulations of those countries.

Ground Pressure 160 P-TIER

Triple Semi-Grouser Shoes	
600 mm (24 in.)	41 kPa (5.95 psi)
700 mm (28 in.)	35 kPa (5.08 psi)

Swing Mechanism

Speed	13.3 rpm
Torque	44 000 Nm (32,353 lb.-ft.)

Serviceability

Refill Capacities		Refill Capacities (continued)	
Fuel Tank	285 L (75.3 gal.)	Gearbox	
Cooling System	23.5 L (24.8 qt.)	Swing	6.2 L (6.6 qt.)
Engine Oil With Filter	17 L (18.0 qt.)	Propel (each)	6.8 L (7.2 qt.)
Hydraulic Tank	125 L (33.0 gal.)	Pump Drive	0.9 L (1.0 qt.)
Hydraulic System	210 L (55.5 gal.)	Diesel Exhaust Fluid (DEF) Tank	26.7 L (28.2 qt.)

Operating Weights

With full fuel tank, 79-kg (175 lb.) operator, and 914-mm (36 in.), 0.60-m³ (0.78 cu. yd.), 528-kg (1,164 lb.) general-purpose bucket; 3.10-m (10 ft. 2 in.) arm; 3200-kg (7,055 lb.) counterweight; and 700-mm (28 in.) triple semi-grouser shoes

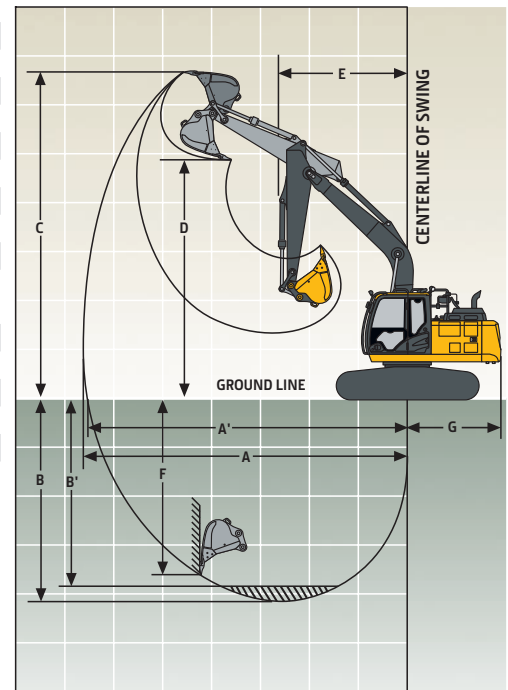
Operating Weight	17 945 kg (39,526 lb.)
------------------	------------------------

Optional Components

Undercarriage With Triple Semi-Grouser Shoes	
600 mm (24 in.)	6316 kg (13,912 lb.)
700 mm (28 in.)	6530 kg (14,383 lb.)
1-Piece Boom (with arm cylinder)	1300 kg (2,863 lb.)
Arm With Bucket Cylinder and Linkage	
2.60 m (8 ft. 6 in.)	788 kg (1,736 lb.)
3.10 m (10 ft. 2 in.)	874 kg (1,925 lb.)
Boom-Lift Cylinders (2), Total Weight	306 kg (674 lb.)

Operating Dimensions

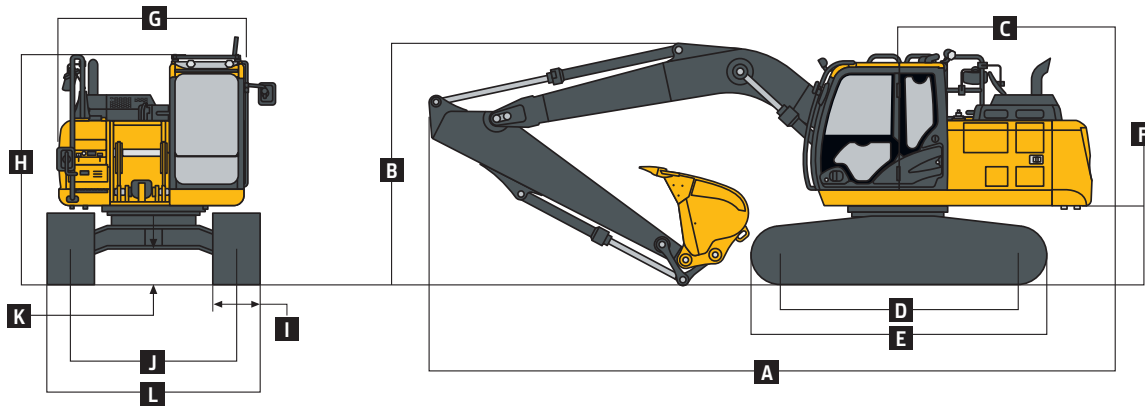
Arm Length	2.60 m (8 ft. 6 in.)	3.10 m (10 ft. 2 in.)
Arm Digging Force		
SAE	90 kN (20,193 lb.)	79 kN (17,857 lb.)
ISO	93 kN (20,838 lb.)	81 kN (18,210 lb.)
Bucket Digging Force		
SAE	105 kN (23,598 lb.)	105 kN (23,598 lb.)
ISO	112 kN (25,180 lb.)	112 kN (25,180 lb.)
A Maximum Reach	8.87 m (29 ft. 1 in.)	9.33 m (30 ft. 7 in.)
A' Maximum Reach at Ground Level	8.70 m (28 ft. 7 in.)	9.16 m (30 ft. 1 in.)
B Maximum Digging Depth	5.98 m (19 ft. 7 in.)	6.49 m (21 ft. 4 in.)
B' Maximum Digging Depth at 2.44-m (8 ft. 0 in.) Flat Bottom	5.74 m (18 ft. 10 in.)	6.27 m (20 ft. 7 in.)
C Maximum Cutting Height	8.88 m (29 ft. 2 in.)	9.13 m (29 ft. 11 in.)
D Maximum Dumping Height	6.17 m (20 ft. 3 in.)	6.40 m (21 ft. 0 in.)
E Minimum Swing Radius	2.91 m (9 ft. 7 in.)	2.92 m (9 ft. 7 in.)
F Maximum Vertical Wall	5.16 m (16 ft. 11 in.)	5.69 m (18 ft. 8 in.)
G Tail-Swing Radius	2.55 m (8 ft. 4 in.)	2.55 m (8 ft. 4 in.)



160 P-TIER

While general information, pictures, and descriptions are provided, some illustrations and text may include product options and accessories NOT AVAILABLE in all regions, and in some countries products and accessories may require modifications or additions to ensure compliance with the local regulations of those countries.

Machine Dimensions	160 P-TIER	
Arm Length	2.60 m (8 ft. 6 in.)	3.10 m (10 ft. 2 in.)
A Overall Length	8.62 m (28 ft. 3 in.)	8.65 m (28 ft. 5 in.)
B Overall Height	2.87 m (9 ft. 5 in.)	3.11 m (10 ft. 2 in.)
C Rear-End Length/Swing Radius	2.55 m (8 ft. 4 in.)	2.55 m (8 ft. 4 in.)
D Distance Between Idler/Sprocket Centerline	3.10 m (10 ft. 2 in.)	3.10 m (10 ft. 2 in.)
E Undercarriage Length	3.92 m (12 ft. 10 in.)	3.92 m (12 ft. 10 in.)
F Counterweight Clearance	1030 mm (3 ft. 5 in.)	1030 mm (3 ft. 5 in.)
G Upperstructure Width	2.50 m (8 ft. 2 in.)	2.50 m (8 ft. 2 in.)
H Cab Height	2.95 m (9 ft. 8 in.)	2.95 m (9 ft. 8 in.)
I Track Width With Triple Semi-Grouser Shoes	600 mm (24 in.) / 700 mm (28 in.)	600 mm (24 in.) / 700 mm (28 in.)
J Gauge Width	1.99 m (6 ft. 6 in.)	1.99 m (6 ft. 6 in.)
K Ground Clearance	470 mm (19 in.)	470 mm (19 in.)
L Overall Width With Triple Semi-Grouser Shoes		
600 mm (24 in.)	2.59 m (8 ft. 6 in.)	2.59 m (8 ft. 6 in.)
700 mm (28 in.)	2.69 m (8 ft. 10 in.)	2.69 m (8 ft. 10 in.)



Lift Capacities

Boldface type indicates hydraulically limited capacity; lightface type indicates stability-limited capacities, in kg (lb.). The load point is the arm tip position (bucketless), using standard counterweight, situated on firm, level, uniform supporting surface. Figures do not exceed 87 percent of hydraulic capacity or 75 percent of weight needed to tip machine.

LOAD POINT HEIGHT	HORIZONTAL DISTANCE FROM CENTERLINE OF ROTATION									
	1.5 m (5 ft.)		3.0 m (10 ft.)		4.5 m (15 ft.)		6.0 m (20 ft.)		7.5 m (25 ft.)	
	Over Front	Over Side	Over Front	Over Side	Over Front	Over Side	Over Front	Over Side	Over Front	Over Side
<i>With 2.60-m (8 ft. 6 in.) arm and 600-mm (24 in.) triple semi-grouser shoes, less bucket</i>										
4.5 m (15 ft.)					4570 (9,920)	4570 (9,920)	4300 (9,430)	3490 (7,510)		
3.0 m (10 ft.)			8800 (18,910)	8800 (18,910)	5880 (12,710)	5100 (11,020)	4850 (10,570)	3360 (7,240)		
1.5 m (5 ft.)					7270 (15,720)	4770 (10,310)	4950 (10,680)	3210 (6,930)		
Ground Line			6260 (14,450)	6260 (14,450)	7420 (15,970)	4580 (9,880)	4830 (10,420)	3100 (6,700)		
-1.5 m (-5 ft.)	5740 (12,870)	5740 (12,870)	10 420 (23,810)	8320 (17,870)	7360 (15,830)	4520 (9,760)	4790 (10,340)	3070 (6,630)		
-3.0 m (-10 ft.)	10 310 (23,240)	10 310 (23,240)	11 050 (23,930)	8470 (18,210)	7430 (15,990)	4580 (9,900)				

While general information, pictures, and descriptions are provided, some illustrations and text may include product options and accessories NOT AVAILABLE in all regions, and in some countries products and accessories may require modifications or additions to ensure compliance with the local regulations of those countries.

160 P-TIER

Lift Capacities (continued)

160 P-TIER

Boldface type indicates hydraulically limited capacity; lightface type indicates stability-limited capacities, in kg (lb.). The load point is the arm tip position (bucketless), using standard counterweight, situated on firm, level, uniform supporting surface. Figures do not exceed 87 percent of hydraulic capacity or 75 percent of weight needed to tip machine.

LOAD POINT HEIGHT	HORIZONTAL DISTANCE FROM CENTERLINE OF ROTATION									
	1.5 m (5 ft.)		3.0 m (10 ft.)		4.5 m (15 ft.)		6.0 m (20 ft.)		7.5 m (25 ft.)	
	Over Front	Over Side	Over Front	Over Side	Over Front	Over Side	Over Front	Over Side	Over Front	Over Side
<i>With 2.60-m (8 ft. 6 in.) arm and 700-mm (28 in.) triple semi-grouser shoes, less bucket</i>										
4.5 m (15 ft.)					4570	4570	4300	3520		
					(9,920)	(9,920)	(9,430)	(7,590)		
3.0 m (10 ft.)			8880	8880	5880	5150	4850	3390		
			(18,910)	(18,910)	(12,710)	(11,140)	(10,570)	(7,320)		
1.5 m (5 ft.)					7270	4830	4990	3250		
					(15,720)	(10,430)	(10,770)	(7,010)		
Ground Line			6260	6260	7480	4630	4880	3140		
			(14,450)	(14,450)	(16,110)	(10,000)	(10,510)	(6,780)		
-1.5 m (-5 ft.)	5740	5740	10 420	8410	7420	4570	4830	3100		
	(12,870)	(12,870)	(23,810)	(18,080)	(15,960)	(9,870)	(10,430)	(6,710)		
-3.0 m (-10 ft.)	10 310	10 310	11 050	8560	7490	4640				
	(23,240)	(23,240)	(23,930)	(18,410)	(16,120)	(10,010)				
<i>With 3.10-m (10 ft. 2 in.) arm and 600-mm (24 in.) triple semi-grouser shoes, less bucket</i>										
6.0 m (20 ft.)							3380	3380		
							(7,170)	(7,170)		
4.5 m (15 ft.)							3870	3530		
							(8,490)	(7,600)		
3.0 m (10 ft.)			7410	7410	5280	5180	4470	3380	3360	2400
			(15,820)	(15,820)	(11,420)	(11,200)	(9,750)	(7,300)	(6,760)	(5,160)
1.5 m (5 ft.)			7570	7570	6780	4820	4960	3220	3560	2320
			(18,220)	(18,220)	(14,660)	(10,410)	(10,700)	(6,940)	(7,680)	(5,010)
Ground Line			6850	6850	7420	4570	4820	3080	3500	2270
			(15,760)	(15,760)	(15,970)	(9,870)	(10,390)	(6,660)	(7,550)	(4,890)
-1.5 m (-5 ft.)	5170	5170	9640	8210	7310	4470	4750	3020		
	(11,580)	(11,580)	(21,990)	(17,650)	(15,720)	(9,650)	(10,240)	(6,520)		
-3.0 m (-10 ft.)	8710	8710	11 680	8310	7330	4490	4780	3040		
	(19,610)	(19,610)	(25,280)	(17,880)	(15,780)	(9,700)	(10,310)	(6,590)		
-4.5 m (-15 ft.)			9390	8590	6330	4660				
			(20,090)	(18,490)	(13,350)	(10,100)				
<i>With 3.10-m (10 ft. 2 in.) arm and 700-mm (28 in.) triple semi-grouser shoes, less bucket</i>										
6.0 m (20 ft.)							3380	3380		
							(7,170)	(7,170)		
4.5 m (15 ft.)							3870	3560		
							(8,490)	(7,680)		
3.0 m (10 ft.)			7410	7410	5280	5420	4470	3420	3360	2420
			(15,820)	(15,820)	(11,420)	(11,310)	(9,750)	(7,380)	(6,760)	(5,220)
1.5 m (5 ft.)			7570	7570	6780	4870	5010	3250	3590	2350
			(18,220)	(18,220)	(14,660)	(10,530)	(10,790)	(7,020)	(7,750)	(5,070)
Ground Line			6850	6850	7490	4630	4860	3120	3530	2290
			(15,760)	(15,760)	(16,110)	(9,990)	(10,480)	(6,740)	(7,620)	(4,950)
-1.5 m (-5 ft.)	5170	5170	9640	8300	7370	4530	4790	3060		
	(11,580)	(11,580)	(21,990)	(17,850)	(15,850)	(9,760)	(10,330)	(6,600)		
-3.0 m (-10 ft.)	8710	8710	11 680	8410	7390	4550	4820	3080		
	(19,610)	(19,610)	(25,280)	(18,080)	(15,910)	(9,820)	(10,400)	(6,670)		
-4.5 m (-15 ft.)			9390	8680	6330	4710				
			(20,090)	(18,690)	(13,350)	(10,210)				

160 P-TIER

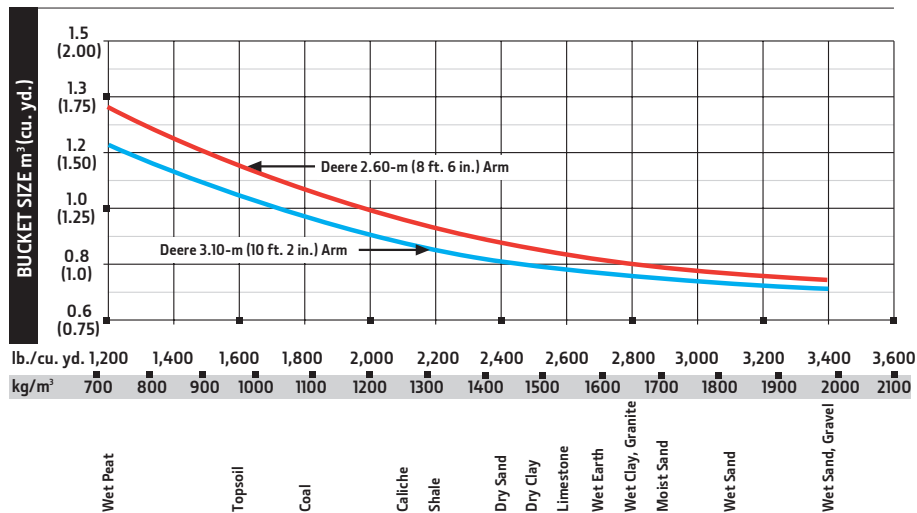
While general information, pictures, and descriptions are provided, some illustrations and text may include product options and accessories NOT AVAILABLE in all regions, and in some countries products and accessories may require modifications or additions to ensure compliance with the local regulations of those countries.

Buckets 160 P-TIER

A full line of buckets is offered to meet a wide variety of applications. Digging forces are with power boost. Buckets are equipped with John Deere TK-Series Bucket Teeth standard. A variety of teeth are available through John Deere Parts. Optional side cutters add 150 mm (6 in.) to bucket widths. Capacities are SAE heaped ratings.

Bucket Type	Bucket Width		Bucket Capacity		Bucket Weight		Bucket Pin to Cutting Edge Radius		Bucket Pin to Tooth Tip Radius		Number of Teeth
	mm	in.	m ³	cu. yd.	kg	lb.	mm	in.	mm	in.	
Heavy Duty	610	24	0.38	0.50	506	1,116	1214	47.8	1343	52.9	3
	762	30	0.52	0.68	556	1,248	1214	47.8	1343	52.9	4
	915	36	0.66	0.86	639	1,409	1214	47.8	1343	52.9	5
	1065	42	0.76	0.99	685	1,508	1214	47.8	1343	52.9	5
	1220	48	0.93	1.22	756	1,668	1214	47.8	1343	52.9	6
	1372	54	0.80	1.04	689	1,519	1214	47.8	1343	52.9	5

Bucket Selection Guide*



*Contact your John Deere dealer for optimum bucket and attachment selections. These recommendations are for general conditions and average use. Does not include optional equipment such as thumbs or couplers. Larger buckets may be possible when using light materials, for flat and level operations, less compacted materials, and volume loading applications such as mass-excavation applications in ideal conditions. Smaller buckets are recommended for adverse conditions such as off-level applications, rocks, and uneven surfaces. Bucket capacity indicated is SAE heaped.

Additional equipment

Key: ● Standard ▲ Optional or special
See your John Deere dealer for further information.

160 P Engine

- Auto-idle system
- Automatic belt-tension device
- Batteries (2 – 12 volt)
- Coolant recovery tank
- Dual-element dry-canister air cleaner
- Electronic engine control
- Enclosed fan guard (conforms to SAE J1308)
- Engine coolant to -37 deg. C (-34 deg. F)
- Fuel filter with water separator
- Fuel shutoff valve
- Full-flow oil filter
- Turbocharged with charge-air cooler
- Cool-on-demand hydraulic-driven fan
- 500-hour engine-oil-change interval
- 70% (35 deg.) off-level capability

160 P Engine (continued)

- Engine-oil-sampling valve
- In-line Diesel Exhaust Fluid (DEF) filter
- Programmable auto shutdown
- ▲ Chrome exhaust stack
- ▲ Severe-duty fuel filter
- ▲ Hydraulic fan reverser
- ▲ Engine coolant heater

Hydraulic System

- Reduced-drift valve for boom down, arm in
- Auxiliary hydraulic valve section
- Spring-applied, hydraulically released automatic swing brake
- Auxiliary hydraulic-flow adjustments through monitor

160 P Hydraulic System (continued)

- Auto power lift
- 5,000-hour hydraulic-oil-change interval
- Hydraulic-oil-sampling valve
- Control pattern-change valve
- Powerwise Plus™ hydraulic-management system
- ▲ Auxiliary high-flow lines with auxiliary function lever (AFL) and auxiliary relief pressure adjustment
- ▲ Auxiliary pilot and electric controls
- ▲ Hydraulic filter restriction indicator kit
- ▲ Load-lowering control device
- ▲ Single-pedal propel control
- ▲ High-flow auxiliary hydraulic lines with dual stop valves

Additional equipment *(cont.)*

Key: ● Standard ▲ Optional or special
See your John Deere dealer for further information.

160 P Undercarriage

- Planetary drive with axial-piston motors
- Propel motor shields
- Spring-applied, hydraulically released automatic propel brake
- Track guides, front idler and center
- 2-speed propel with automatic shift
- Upper carrier rollers (2)
- Sealed and lubricated track chain
- Heavy-duty track-frame undercovers
- ▲ Triple semi-grouser shoes, 600 mm (24 in.)
- ▲ Triple semi-grouser shoes, 700 mm (28 in.)

Upperstructure

- Right-hand and left-hand mirrors
- Vandal locks with ignition key: Cab door / Service doors / Toolbox
- Debris screen in side panel
- Remote-mounted engine oil and fuel filters

Front Attachments

- Centralized lubrication system
- Dirt seals on all bucket pins
- Less boom and arm
- Oil-impregnated bushings
- Reinforced resin thrust plates
- Tungsten carbide thermal coating on arm-to-bucket joint
- ▲ Arm, 2.60 m (8 ft. 6 in.)
- ▲ Arm, 3.10 m (10 ft. 2 in.)
- ▲ Factory-integrated hydraulic coupler plumbing and controls
- ▲ Attachment quick-couplers
- ▲ Boom cylinder with plumbing to main-frame for less boom and arm
- ▲ Buckets: Heavy duty / Side cutters and teeth
- ▲ Material clamps / Hydraulic thumb

Operator's Station

- Meets ISO 12117-2 for rollover protection structure (ROPS)
- Adjustable independent-control positions (levers-to-seat, seat-to-pedals)
- AM/FM radio
- Auto climate control/air conditioner/heater/pressurizer
- Built-in Operator's Manual storage compartment and manual

160 P Operator's Station *(continued)*

- Cell-phone power outlet, 12 volt, 60 watt, 5 amp
- Coat hook
- Standard cloth seat, mechanical suspension with 100-mm (4 in.) adjustable armrests
- ▲ Deluxe heated cloth seat, air suspension with 100-mm (4 in.) adjustable armrests
- Floor mat
- Front windshield wiper with intermittent speeds
- Gauges (illuminated): DEF / Engine coolant / Fuel
- Horn, electric
- Hour meter, electric
- Hydraulic shutoff lever, all controls
- Hydraulic warm-up control
- Interior light
- Large cup holder
- Machine Information Center (MIC)
- Mode selectors (illuminated): Power modes (3) / Travel modes (2 with automatic shift) / Work mode (1)
- Multifunction, color LCD monitor with: Diagnostic capability / Multiple-language capabilities / Maintenance tracking / Clock / System monitoring with alarm features: Auto-idle indicator, engine air cleaner restriction indicator light, engine check, engine coolant temperature indicator light with audible alarm, engine oil pressure indicator light with audible alarm, low-alternator-charge indicator light, low-fuel indicator light, low DEF indication with audible alarm, fault code alert indicator, fuel-rate display, wiper-mode indicator, work-lights-on indicator, and work-mode indicator
- Motion alarm with cancel switch (conforms to SAE J994)
- Power-boost switch on right console lever
- Auxiliary hydraulic control switches in right console lever
- SAE 2-lever control pattern
- Seat belt, 76 mm (3 in.), non-retractable
- Tinted glass
- Transparent tinted overhead hatch
- Hot/cold beverage compartment
- USB charging port

160 P Operator's Station *(continued)*

- ▲ Air-suspension heated seat
- ▲ 24- to 12-volt D.C. radio converters, 10 amp
- ▲ Hydraulic oil filter restriction indicator light
- ▲ Premium heated and cooled leather seat
- ▲ Protection screens for cab front, rear, and side
- ▲ Window vandal-protection covers
- ▲ In-monitor adjustable flow and pressure auxiliary hydraulics with auxiliary function lever (AFL)

Electrical

- 100-amp alternator
- Blade-type multi-fused circuits
- Positive-terminal battery covers
- JDLink™ wireless communication system (available in specific countries; see your dealer for details)
- ▲ Right rear left 270-deg. camera system with LED surround lighting
- Rearview camera
- ▲ Cab extension wiring harness

Lights

- Work lights: LED / 1 mounted on left side of boom / 1 mounted on frame
- ▲ LED light kit: 2 lights mounted on cab front / 1 mounted on cab rear / 1 mounted on boom / 1 mounted in toolbox
- ▲ Deluxe LED light package

Trim Packages

- **Level 1:** Mechanical seat and standard front LED worklights
- ▲ **Level 2:** Heated, air-suspension seat and standard front LED worklights
- ▲ **Level 3:** Heated, air-suspension seat, deluxe front LED worklights, and chrome exhaust
- ▲ **Level 4:** Premium-leather, thermal-heating, and active-cooling seat; deluxe front LED worklights; and chrome exhaust

Application Packages

- ▲ **Cold-weather package:** Engine-block heater
- ▲ **Debris package:** Reversing hydraulic variable-speed fan drive with selectable intervals and manual override (for use in airborne-debris environments)

While general information, pictures, and descriptions are provided, some illustrations and text may include product options and accessories NOT AVAILABLE in all regions, and in some countries products and accessories may require modifications or additions to ensure compliance with the local regulations of those countries.

Net engine power is with standard equipment including air cleaner, exhaust system, alternator, and cooling fan, at test conditions specified per ISO 9249. No derating is required up to 3050-m (10,000 ft.) altitude. Specifications and design subject to change without notice. Wherever applicable, specifications are in accordance with SAE standards. Except where otherwise noted, these specifications are based on a unit with 914-mm (36 in.), 0.60-m³ (0.78 cu. yd.), 528-kg (1,164 lb.) general-purpose bucket; 3.10-m (10 ft. 2 in.) arm; 3200-kg (7,055 lb.) counterweight; 700-mm (28 in.) triple semi-grouser shoes; full fuel tank; and 79-kg (175 lb.) operator.




ME160PAU (22-11)

 **JOHN DEERE**