

REPLACEMENT PARTS GUIDE

7700A E-Cut™ Hybrid Fairway Mower

ENGINE



OIL FILTER

[M806419](#)

Change every 250 hrs.



ENGINE OIL

[TY26669](#) (Plus-50™ II 10W-30)
(WITH FILTER - 3.4 L (3.6 qt))
(WITHOUT FILTER - 3.2 L (3.4 qt))

Change every 250 hrs.



FILTER ELEMENT

[RE68048](#) (PRIMARY)



[RE68049](#) (SECONDARY)

Change every 500 hrs.



JOHN DEERE MULTI - PURPOSE SD POLYUREA GREASE

[TY6341](#) (FOR MACHINE AND LIFT ARMS)

JOHN DEERE SPECIAL PURPOSE GOLF AND TURF CUTTING UNIT GREASE

[TY25083](#) (FOR CUTTING UNIT AND CUTTING UNIT ATTACHMENTS)

GREASE GUN

[TY26183](#)

Change As Required.



FUEL FILTER

[MIU803127](#) (TIER 4)

Change every 500 hrs.



V - BELT

[TCU30780](#) (LGTH = 1425 mm, TK = 12 mm, WIDTH = 11 mm) (FAN)



FUEL SEPARATOR ELEMENT

[MIU802421](#) (TIER 4)

Change every 500 hrs.



HYDRAULIC FILTER ELEMENT

[UC33371](#)

Change After First 50 Hours.



TIE ROD

[TCA23641](#)



ELECTRICAL



KEY

[AUC12681](#)



IGNITION SWITCH

[AUC18708](#)



BATTERY

[TY25876B](#) (12 V) (FOR CANADA AND USA)
[MCYP340PF](#) (12 V) (NOT FOR CANADA AND USA)



VOLTAGE REGULATOR

[PFP22931](#)



THERMOSTAT

[M811034](#)



WATER TEMPERATURE SWITCH

[MIA882965](#)



V - BELT

[TCU36012](#) (LGTH = 1520 mm, TK = 4.6 mm, WIDTH = 28.45 mm) (ALTERNATOR)

FUEL & AIR



FILLER CAP

[LVA18519](#)



DIESEL PARTICULATE FILTER

[MIA885300](#)

REPLACEMENT PARTS GUIDE

7700A Reel Cutting Unit



ADJUSTER

[TCU25317](#)



STATIONARY KNIFE

[TCU32581](#) (LOW CUT (HEIGHT OF CUT = 6.3 mm))



MOWER REEL

[TCA19353](#) (8 BLADE)



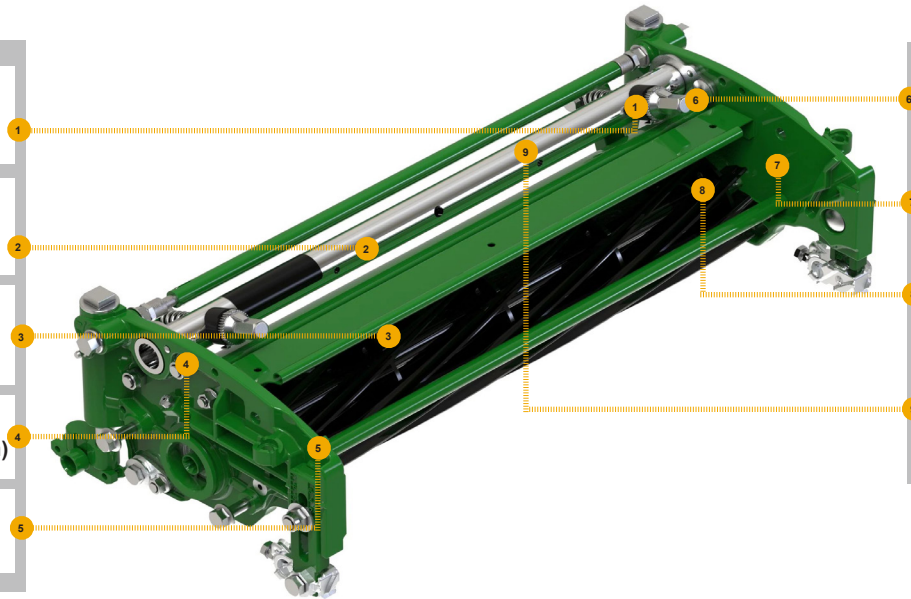
SYNCHRONOUS BELT

[TCU32423](#) (LGTH = 474 mm, WIDTH = 11 mm)



SHIELD

[TCA19173](#)



TORSION SPRING

[MT2472](#)



HYDRAULIC MOTOR

[AUC18555](#)



BRACKET

[UC16109](#) (RH)

[UC18211](#) (LH)



ROLLER

[AMT2967](#) (SMOOTH ROLLER)

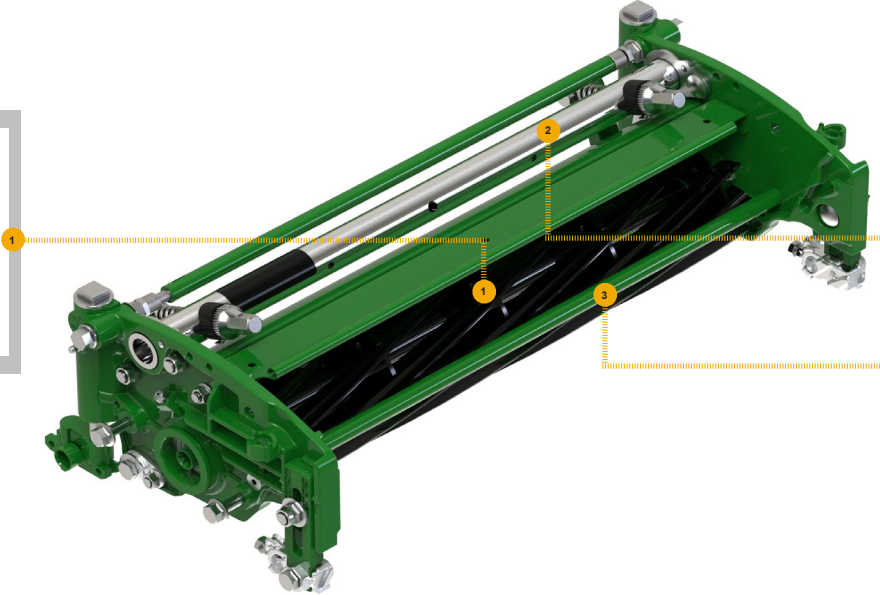


REPLACEMENT PARTS GUIDE

7700A Scrapers, Grass Catchers and Rollers

SCRAPER

- [BM23002](#) (GROOVED ROLLER SCRAPER, 3 INCH)
- [BUC10112](#) (SMOOTH SCRAPER, REAR, 2 INCH)
- [BUC10114](#) (SMOOTH SCRAPER, FRONT, 22 INCH)
- [BUC10342](#) (SMOOTH SCRAPER, 22 INCH)



ROLLER

- [BM19817](#) (3 INCH)
- [BM25317](#) (3 INCH)
- [BTC10835](#) (22 INCH)

GRASS CATCHERS

- [BUC10566](#) (22 INCH)

